



## Slant Edge Cutting Pliers

120mm TM-11 Spring BOX JOINT



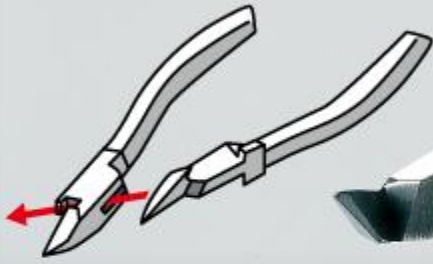
- Suitable for cutting targets at the closest point from walls.
- Stripping hole loaded on the edge.

---

### Features of Trinity series products

# Trinity

**Long-life & high durability**  
**Box joint structure**



**Adjustable & durable**  
**Leaf springs**

Even if jaw opened fully, leaf spring does not broken like a coil type spring. Also the resilience can be adjusted to your preference.

**Double molded**  
**Elastomer resin cover**

Originally developed cover shape fits the hand and reduce fatigue of works. Using Eco-friendly burnable material.



Bend springs towards this direction gradually to strengthen resilience.



Inside:  
Firm texture

Outside: \_\_\_\_\_  
Soft texture for hands

## **Box joint**

Long-life stability, none-backlash.

## **Leaf springs**

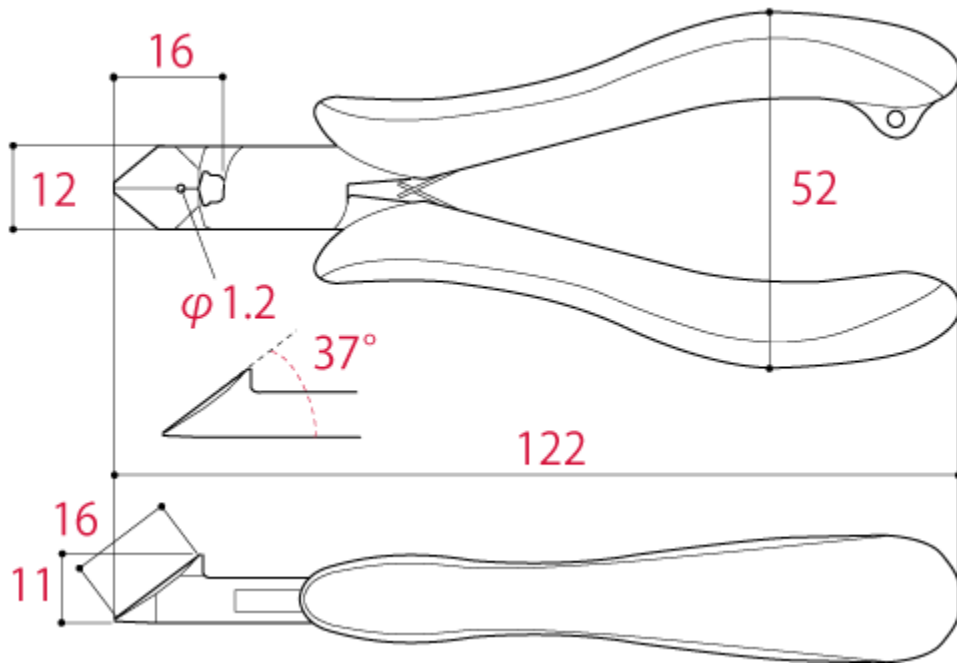
Long-life and high durability. Adjustable resilience.

## **Comfortable elastomeric double molded resin grips**

Using eco-friendly elastomer resin which does not emit dioxin when it is burned. Original designed grip realized ideal weight balance and work efficiency improvement.

## **Specifications**

- Material | Alloy steel
- Heat Treatment | Induction hardening on edge
- Hardness | 54~62
- Spring | Leaf springs
- Handle cover | Elastomeric double molded resin grips



	Size[mm]								Weight [g]	EAN-code (4952269)
	Overall length	Head width	Head thickness	Handle width	Nose length	Edge length	Hole diameter	Head angle		
TM-11	122	12	11	52	16	16	1.2	37°	65	110326

Cutting capacity (φmm)	Copper	Stranded copper wire [mm <sup>2</sup> ]
TM-11	1.0	1.25

Note: Do not use to cut harder wire or anything above it rated the capacity.