



Crimping Tool For Non-Insulated Terminals

TP-3 Capacity IEC/DIN:0.5/1.5/2.5/4mm² AWG:20/16/14/12 JIS:0.5/1.25/2/3.5mm²



- Small and Light Weighted type.
- Crimping up to 4sq(IEC standard) /AWG12 cables with one side hand.

MADE IN JAPAN

For Non-Insulated Terminals

For E-Type Sleeve Terminals

CRIMPING TOOL

TP-2 TP-8 TP-8P TP-14
TP-5 TP-5M TP-5S TP-3

TP-R

SAFE & SECURE! SPEEDY CRIMPING



JGA
JIS C 9711
JQ0314008

Temporary Holding



ALL TESTS PASSED

- Continuous durability test 30,000 times
- Tensile test
- Salt water spraying
- Heat aging
- Electrical resistance
- Vibration fatigue

Temporary holding function

Cables can be inserted smoothly into terminals due to the deformless temporary holding function.



Tsunoda

*Temporary holding function is not loaded on TP-2



Both side colored size marks

Colored size marks help you to check the size of crimping die even in the room where is insufficiently lighted and improve your work efficiency.



Toggle mechanism

Reducing required loads for each stroke of gear.

Crimp completion checking function

Handles don't open until crimping done.



Clear crimped mark!

Safety strap holes

Molded elastomer resin cover

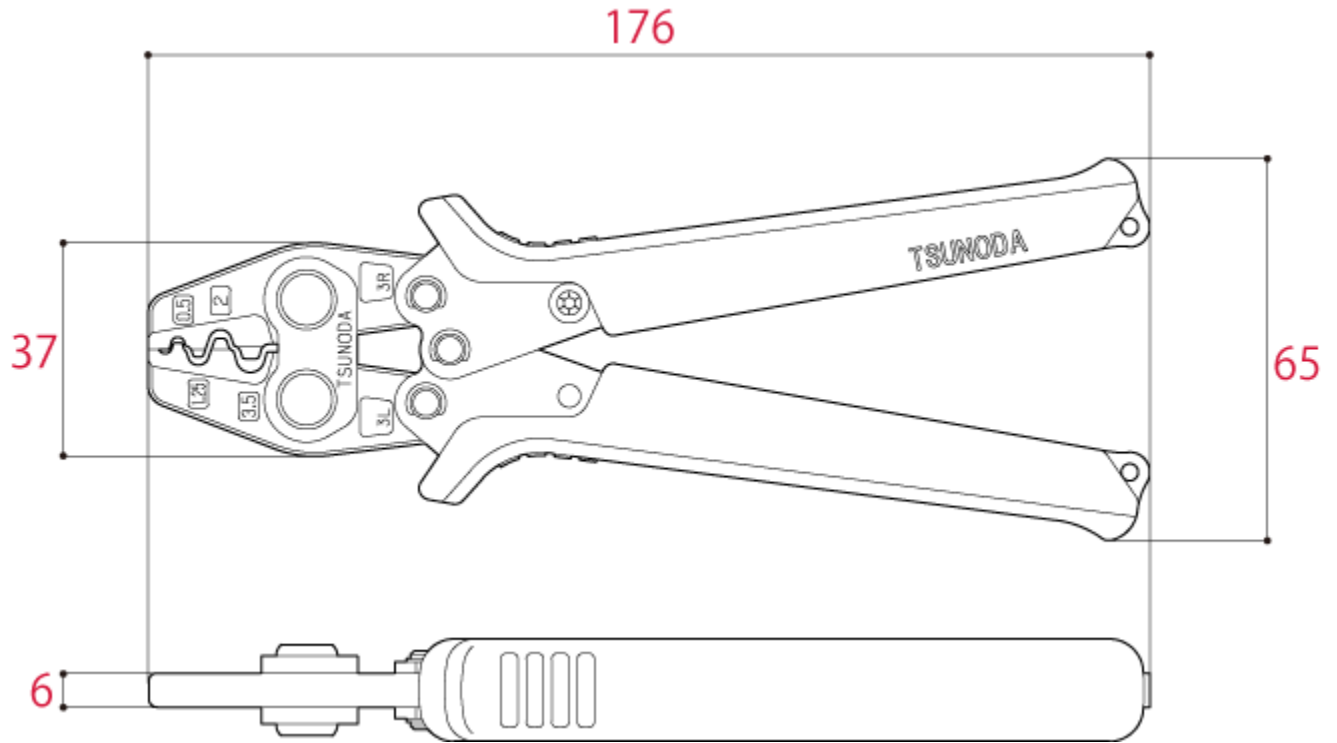
Soft texture elastomer grip reduces fatigue of Continuous crimping works.

Crimping Tool Usable Terminals

Terminal (mm)	0.3	0.5	1.25	2.0	3.5	5.5	8.0	14.0	22.0	38.0
TP-2 (JIS)			○	○						
TP-3		○	○	○	○					
TP-5 (JIS)			○	○		○				
TP-5S		○	○	○	○					
TP-5M			○	○	○	○				
TP-8 (JIS)			○	○		○	○			
TP-8P (JIS)			○	○		○	○			
TP-14 (JIS)			○	○		○	○	○		
TP-22 (JIS)						○	○	○	○	
TP-38 (JIS)							○	○	○	○
TP-R (JIS)										E-L · E-M · E-S

Specifications

- Material | Alloy steel
- Head hardness [HRC] | 42~48
- Handle part hardness [HRC] | 43~47
- Handle cover | Elastomeric molded resin grips



	Size[mm]				Weight [g]	EAN-code (4952269)
	Overall length	Head width	Head thickness	Handle width		
TP-3	176	37	6	65	220	113662

Terminal Size			
JIS standard mm ²	IEC · DIN standard mm ²	American Wire Gauge	Crimped Mark
0.5	0.5	20	0
1.25	1.5	16	1
2	2.5	14	2
3.5	4	12	3

*One side of head is IEC/DIN standard size indicated. The other side is JIS standard size.