



**CTR/LTR Turbine Flow Meters
User Manual**

**CTR/LTR-Durchflussturbinen
Bedienungsanleitung**

**Débitmètres à turbine
CTR/LTR Manuel utilisateur**

**Manual del usuario para los
caudalímetros de turbina
serie CTR/LTR**



www.webtec.com

Introduction

Webtec turbine flow meters provide a precision solution to the measurement of flow in hydraulic systems on test stands, machine tools and other fixed or mobile applications. The flow meters can be installed anywhere in the hydraulic circuit for production testing, commissioning, development testing and analysis of control systems. The compact design of the flow meter allows them to be installed where space is limited. The LTR turbine flow meter with frequency output provides a precision solution to the flow measurement. The CTR turbine flow meter has a built-in microcontroller that conditions the signal from the flow meter to provide an accurate analogue output. This enables you to connect the flow meter directly into your digital display, PLC or custom DAQ system without having to worry about complex calibration factors or lookup tables. Four main versions are available offering 4 - 20 mA current loop, 0 - 5 V or 0 - 3 V (Sensor Recognition) output.

The integral loading valve provides smooth progressive pressure control in both flow directions allowing components such as cylinders or motors to be tested without re-plumbing the test connections.

The range of products can be divided into two families:

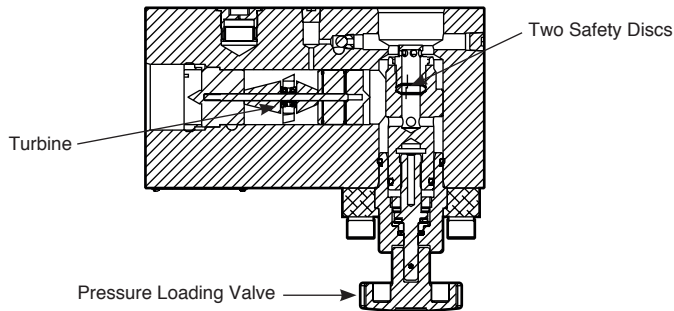
1. Standard CT/LT
2. CTR/LTR, a flow turbine with a built in load valve

This manual covers the CTR/LTR range of products.

Before first operating the equipment read the whole of these instructions. Safety may be impaired if they are not followed.

Webtec have been designing and manufacturing flow meters and hydraulics components for over 40 years. We operate within a Quality Management System that complies with the requirements of BS EN ISO 9001 which is externally audited and certificated each year. Beyond compliance to the standard, Webtec is committed to continually improving in everything we do; with particular emphasis on understanding what matters to our customers and suppliers, and designing our systems and work to meet their needs. We are always keen to hear from customers who may have special requirements not covered by our standard ranges

Basic operation



The CTR/LTR has two functional areas - flow meter and loading valve - both are housed in one aluminium block

Flow meter

All CTR/LTR flow meters work on the same basic theory - the fluid flow is used to rotate a turbine, the speed at which the turbine rotates is proportional to the flow rate. This rotational speed is measured by a magnetic transducer counting the axial turbine blades as they pass. The turbine blade is designed to minimise the effects of variations in temperature and viscosity and built-in flow straighteners eliminate flow swirl and allow flow measurement in both directions.

Loading valve

All loading valves work on the same theory - a poppet is moved in and out of a flow port via a threaded shaft. The unique design of the pressure-balanced poppet ensures low handle effort throughout the flow and pressure ranges in addition to excellent tactile feedback, regardless of flow direction. In the event of overpressure, replaceable safety discs (situated within the poppet) rupture, to internally bypass the oil at low pressure. Safety discs with different pressure ranges up to 480 bar (7000 psi) are available.

Specification

Functional specification

Ambient temperature:	5 to 40 °C (41 - 104 °F)
Fluid type:	Oils, fuels, water glycol, water oil emulsions
Fluid temperature:	5 to 90 °C (41 - 194 °F) continuous use
Accuracy:	15 to 100% of range - 1% of indicated reading Below 15% fixed accuracy of 1% of 15% of full scale
Degree of protection*:	CTR-SR – IP54 (EN60529) CTR-mA, CTR-5V, LTR – IP66 (EN60529) *With cable connected

CTR Electrical specification

Supply voltage (VS):	mA & 5V = 12 - 32 VDC, SR = 7 - 15 VDC
Current output:	4 - 20 mA, 3 wire, max loop resistance = (VS x 50) - 200 ohms
Voltage output:	0 - 5 VDC, current consumption = 10 mA, minimum load 20K ohms
SR output:	0 - 3 VDC

LTR Electrical specification

Output:	Frequency - 20 -2000 Hz
Impedance:	3700 Ohm,
Inductance:	1kHz: 1.55H

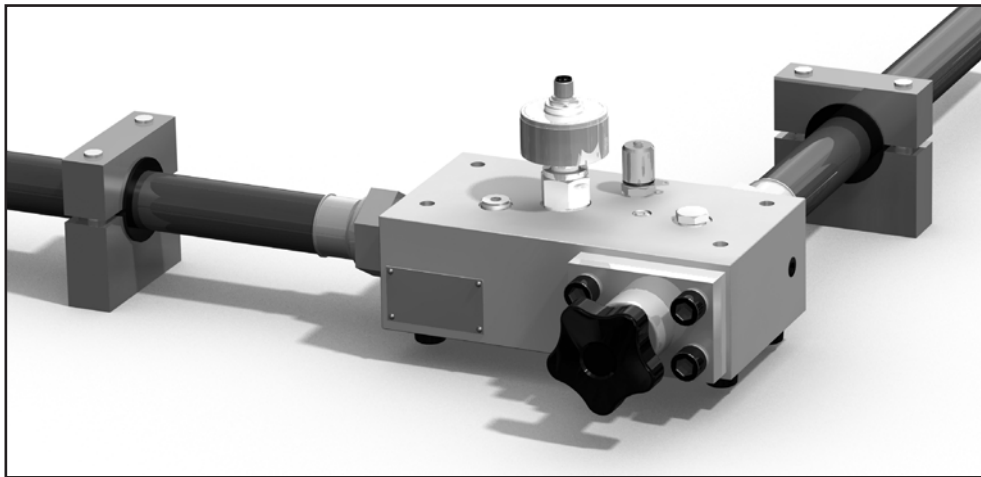
Construction material

Flow body:	600/750/800/1500 High tensile Aluminium 2014A T6 15/60/150/300/400 High tensile Aluminium 2011 T6
Internal parts:	Aluminium, Steel, Stainless Steel
Transducer:	Body and nut -steel 212A42 electroless nickel plated, Lid and housing - Aluminium 2011 T3
Seals:	Viton seals as standard EPDM are available - please consult sales office

For Flow and Pressure ratings see model table

Installation guidance

All hydraulic connections should be made by suitably qualified personnel. Inlet and outlet connections should always have a similar bore size to that of the flow meter to prevent venturi or constriction effects.



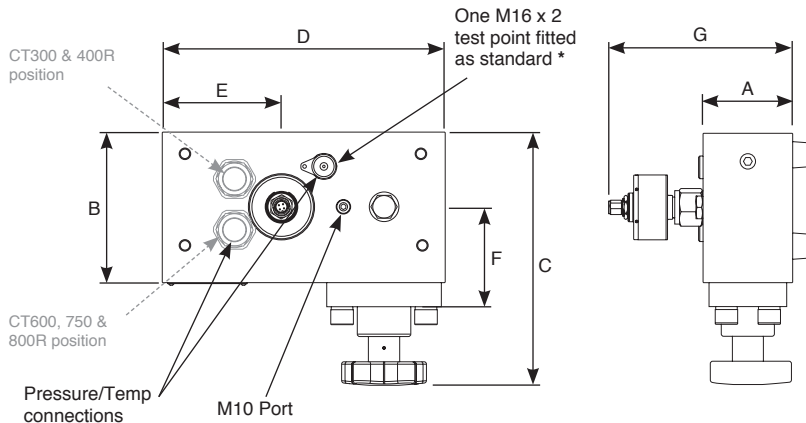
CTR flow meter shown in typical mounting.

- The flow meter should be connected by flexible hose. The flexible hoses should be 'strain relieved' (clamped). Ensure the clamps are at least one pipe diameter wide and position close to the fittings.
- It is recommended that a 25 micron filter is installed in the hydraulic circuit prior to the flow meter.
- Consideration should be given to the effects of cavitation erosion as this could damage the unit.
- Although the unit is bi-directional greater accuracy is achieved by ensuring the flow is passed through the turbine first then the loading valve.
- When using this type of flow block to measure low pressure systems, such as case drain leakage, it is recommended that a relief valve or check valve is fitted to protect against excessive pressure caused by surge flows.
- Care should be taken to ensure that the flow block is installed in a position which is not subjected to excessive pulsation as this can cause incorrect readings.
- Check IP rating before installing in wet areas. If installed in wet areas use a M12 cap to protect connector when no cable is present. IP rating only applies if unit is fully connected.
- Before starting a test or flow ensure the load valve is fully open (fully anticlockwise) and increase the pressure slowly
- The flow block can be mounted in any orientation.
- All turbines have built-in flow straighteners so the normal recommended length of 10 Ø of straight tube can be reduced to 8 Ø where space is limited.
- All flow meters have three additional ports in the top face of the flow meter to enable the user to connect both a temperature and pressure sensor. There are two 1/4" BSP or #4 SAE O ring ports and one M10x1 port. As standard one 1/4" BSP or #4 SAE is fitted with a test point (M16x2) and both other ports are blanked. See model table for more details and ports configuration.
- For heavy-duty applications, for example installation close to a piston pump or advice on installation please consult the sales office.
- The internal burst discs are to protect the tester not the hydraulic installation. Always ensure the appropriate relief devices are fitted to protect the installation.

Dimensions: millimeters (inches)

Model No.	A	B	C	D	E	F	G	Weight kg (lbs)
CT300R	49 (2")	100 (4")	182 (7-1/8")	222 (8-3/4")	102.5 (4")	47.6 (1-7/8")	138 (5-1/2")	3.7 (8.1)
CT400R	49 (2")	100 (4")	182 (7-1/8")	222 (8-3/4")	102.5 (4")	47.6 (1-7/8")	138 (5-1/2")	3.7 (8.1)
CT600R	75 (3")	125 (5")	211 (8-3/8")	235 (9-3/4")	99 (3-7/8")	63 (2-1/2")	157 (6-1/8")	7.5 (16.5)
CT750R	75 (3")	125 (5")	211 (8-3/8")	235 (9-3/4")	99 (3-7/8")	63 (2-1/2")	157 (6-1/8")	7.5 (16.5)
CT800R	75 (3")	125 (5")	211 (8-3/8")	235 (9-3/4")	99 (3-7/8")	63 (2-1/2")	157 (6-1/8")	7.5 (16.5)

Add 20mm (3/4") to G for full height including feet. SR version is 9mm (3/8") shorter on the G dimensions

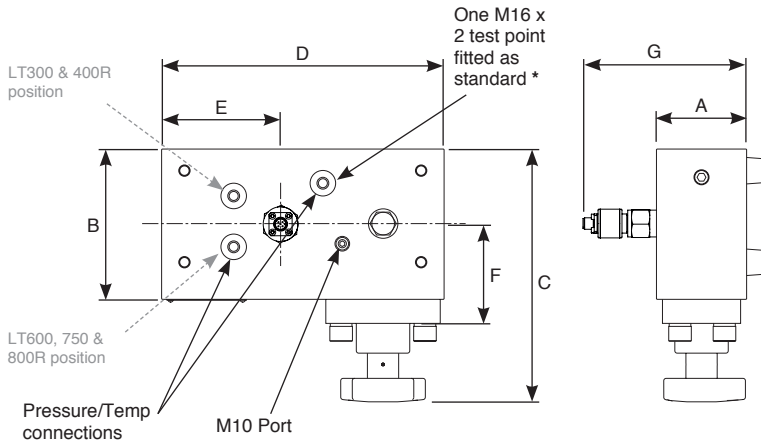


* Port connected via shuttle valve to ensure maximum pressure is measured regardless of flow direction.

Dimensions: millimeters (inches)

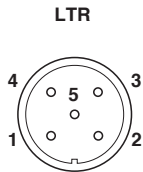
Model No	A	B	C	D	E	F	G	Weight kg (lbs)
LT300R	49 (2")	100 (4")	182 (7-1/8")	222 (8-3/4")	102.5 (4")	47.6 (1-7/8")	150 (6")	3.7 (8.1)
LT400R	49 (2")	100 (4")	182 (7-1/8")	222 (8-3/4")	102.5 (4")	47.6 (1-7/8")	150 (6")	3.7 (8.1)
LT600R	75 (3")	125 (5")	211 (8-3/8")	235 (9-3/4")	99 (3-7/8")	63 (2-1/2")	169 (6-5/8")	7.5 (16.5)
LT800R	75 (3")	125 (5")	211 (8-3/8")	235 (9-3/4")	99 (3-7/8")	63 (2-1/2")	169 (6-5/8")	7.5 (16.5)

Add 20mm (3/4") to G for full height including feet.

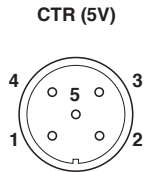


* Port connected via shuttle valve to ensure maximum pressure is measured regardless of flow direction.

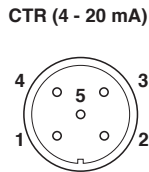
LTR/CTR Connection Details

**Pins**

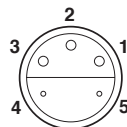
- 1 = Freq +ve
- 2 = Freq -ve
- 3 = Temp
- 4 = Temp
- 5 = N/C

**Pins**

- 1 = +In
- 2 = N/C
- 3 = 0 - 5V out
- 4 = N/C
- 5 = GND

**Pins**

- 1 = +In
- 2 = N/C
- 3 = 4 - 20mA out
- 4 = N/C
- 5 = GND

Sensor Recognition (3V)**Pins**

- 1 = V Out
- 2 = N/C
- 3 = +In
- 4 = GND
- 5 = Sensor Recognition

N.B. N/C = Do not connect

Connecting cable (5m)

FT10228-05

Extension cable (5m)

FT10229-05

Connector (M12x1)

FT9880

FT9788

FT9789

N/A

N.B.: For CTR (5V) and CTR (4-20mA) use a shielded three core cable.
Connect the shield to the transducer case.

Model table

Model No.	Main ports	Top ports*	Flow range	Max. pressure
CT300R-**-B-B-6	1" BSPP	1/4" BSPP	8 - 300 lpm	420 bar
CT300R-**-S-S-6	1-5/16" -12UN #16 SAE ORB	7/16" -20UN #4 SAE ORB	2 - 80 US gpm	6000 psi
CT400R-**-B-B-6	1" BSPP	1/4" BSPP	10 - 400 lpm	420 bar
CT400R-**-S-S-6	1-5/16" -12UN #16 SAE ORB	7/16" -20UN #4 SAE ORB	2.5 - 100 US gpm	6000 psi
CT600R-**-F-B-3	1-1/2" #24 SAE Code 61 4-bolt flange	1/4" BSPP	20 - 600 lpm	210 bar
CT600R-**-F-S-3	1-1/2" #24 SAE Code 61 4-bolt flange	7/16" -20UN #4 SAE ORB	5 - 160 US gpm	3000 psi
CT600R-**-S-B-7	1-7/8" -12UN #24 SAE ORB	1/4" BSPP	15 - 600 lpm	480 bar
CT600R-**-S-S-7	1-7/8" -12UN #24 SAE ORB	7/16" -20UN #4 SAE ORB	4 - 160 US gpm	7000 psi
CT750R-SR-F-B-3	1-1/2" #24 SAE Code 61 4-bolt flange	1/4" BSPP	20 - 750 lpm	210 bar
CT750R-SR-F-S-3	1-1/2" #24 SAE Code 61 4-bolt flange	7/16" -20UN #4 SAE ORB	5 - 200 US gpm	3000 psi
CT750R-SR-S-B-7	1-7/8" -12UN #24 SAE ORB	1/4" BSPP	20 - 750 lpm	480 bar
CT750R-SR-S-S-7	1-7/8" -12UN #24 SAE ORB	7/16" -20UN #4 SAE ORB	5 - 200 US gpm	7000 psi
CT800R-**-F-B-3	1-1/2" #24 SAE Code 61 4-bolt flange	1/4" BSPP	20 - 600 lpm	210 bar
CT800R-**-S-B-7	1-7/8" -12UN #24 SAE ORB	1/4" BSPP	20 - 800 lpm	480 bar
CT800R-**-F-S-3	1-1/2" #24 SAE Code 61 4-bolt flange	7/16" -20UN #4 SAE ORB	5 - 210 US gpm	3000 psi
CT800R-**-S-S-7	1-7/8" -12UN #24 SAE ORB	7/16" -20UN #4 SAE ORB	5 - 210 US gpm	7000 psi

CT600, 750, 800R has limited pressure control below 86 lpm (23 US gpm).

The maximum controllable pressure in this region is calculated by: max pressure (in bar) = 5 x flow (lpm) +30

Model Number	Main ports	Top ports	Flow Range	Max. pressure
LT300R-FM-B-B-6	1" BSPP	1/4" BSPP	8 - 300 lpm	420 bar
LT300R-FM-S-S-6	1-5/16" -12UN #16 SAE ORB	7/16" -20UN #4 SAE ORB	2 - 80 US gpm	6000 psi
LT400R-FM-B-B-6	1" BSPP	1/4" BSPP	10 - 400 lpm	420 bar
LT400R-FM-S-S-6	1-5/16" -12UN #16 SAE ORB	7/16" -20UN #4 SAE ORB	2.5 - 100 US gpm	6000 psi
LT600R-FM-S-B-7	1-7/8" -12UN #24 SAE ORB	1/4" BSPP	20 - 600 lpm*	480 bar
LT600R-FM-S-S-7	1-7/8" -12UN #24 SAE ORB	7/16" -20UN #4 SAE ORB	5 - 160 US gpm*	7000 psi
LT600R-FM-F-B-3	1-1/2" #24 SAE Code 61 4-bolt flange	1/4" BSPP	20 - 600 lpm*	210 bar
LT600R-FM-F-S-3	1-1/2" #24 SAE Code 61 4-bolt flange	7/16" -20UN #4 SAE ORB	5 - 160 US gpm*	3000 psi
LT800R-FM-S-B-7	1-7/8" -12UN #24 SAE ORB	1/4" BSPP	20 - 800 lpm*	480 bar
LT800R-FM-S-S-7	1-7/8" -12UN #24 SAE ORB	7/16" -20UN #4 SAE ORB	5 - 210 US gpm*	7000 psi

*LT600R & 800R has limited pressure control below 86 lpm (23 US gpm).

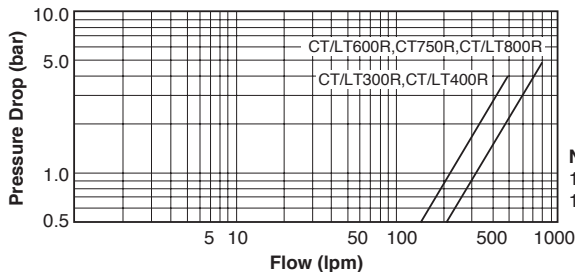
The maximum controllable pressure in this region is calculated by: max pressure (in bar) = 5 x flow (lpm) +30

Technical information

All flow meters are calibrated at 21 cSt as standard. Special calibration is available over a custom flow range or at a different viscosity, please contact sales to discuss your application.

Pressure Drop Chart

Hydraulic Oil Viscosity 21 Centistokes (fully open load valve)



Note

- 1 UK gallon = 4.546 litres
- 1 US gallon = 3.785 litres

Fluid viscosity

The performance of a turbine flow meter can be affected by the viscosity of the fluid measured. Our turbine flow meters are calibrated at between 18 and 26 cSt as standard (a mean viscosity of 21 cSt), which is the typical kinematic viscosity for a hydraulic fluid operating at 50 °C. The kinematic viscosity of all hydraulic fluids is related to the fluid temperature and the table below shows the affect of temperature on the kinematic viscosity of a range of typical grades of hydraulic oil.

The shaded area of the table shows the range of viscosities that can be measured by a flow meter with standard calibration with minimal effect on the accuracy (less that $\pm 1\%$ FS).

Flow meters can be specially calibrated at a different viscosity to the standard or we can advise on the expected error when the flow meter is used at other viscosities, please contact sales for further information.

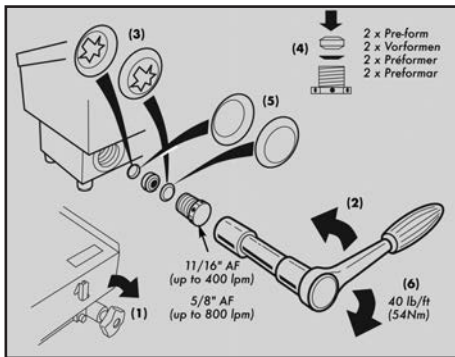
Table showing kinematic viscosity (cSt) of different mineral oils at specific temperatures

Temp °C	Fluid type					
	ISO15	ISO22	ISO32	ISO37	ISO46	ISO68
0	85.9	165.6	309.3	449.9	527.6	894.3
10	49.0	87.0	150.8	204.7	244.9	393.3
20	30.4	50.5	82.2	105.5	127.9	196.1
30	20.1	31.6	48.8	59.8	73.1	107.7
40	14.0	21.0	31.0	36.6	44.9	63.9
50	10.2	14.7	20.8	23.9	29.4	40.5
60	7.7	10.7	14.7	16.5	20.2	27.2
70	6.0	8.1	10.9	12.0	14.6	19.2
80	4.8	6.4	8.4	9.1	11.1	14.3
90	4.0	5.2	6.6	7.2	8.7	11.1
100	3.3	4.3	5.5	6.0	7.1	8.9

ISO 15, 22, 32, 46 and 68 based on typical figures for the Esso Nuto range of HM oils. ISO 37 based on Shell Tellus HM oil.

Maintenance and service

Replacement of burst discs. This procedure should only be completed by suitably trained personnel.



Burst disc replacement diagram - Note. DHM tester shown - LTR has same procedure

- Place the first disc inside the valve
- Replace the spacer
- Place the second disc on top of the spacer
- Screw in the disc holder, tighten to 54 Nm (40 lb.ft)
- Unscrew the load valve fully.

Calibration

Recommended period between calibrations is 12 months. Maximum period between calibrations is 36 months. Unit accuracy may be affected by operating cycle, fluid condition or extended periods between recalibrations.

Accessories

A range wide range of accessories are available from Webtec or your local distributor. These include pressure transducers (MPT range), high pressure temperature sensors (TP125 range) adaptors, cables and remote displays (DP130 range).

The loading valve contains replaceable safety discs, which relieve the pressure at approximately 7 bar (100 psi) over the maximum pressure, by-passing the oil internally.

Replacing Safety Discs

- Disconnect the unit from the hydraulic circuit and remove any fittings from the exit port
- Locate the new discs - the unit is shipped with spare discs located in the block
- Screw the load valve fully shut - (clockwise)
- Unscrew the safety disc holder from the valve.
- Remove the disc spacer and ruptured discs from the valve and disc holder
- Carefully shape the two discs by pressing them by hand between the disc holder and spacer

Einführung

Webtec-Durchflussturbinen bieten eine Präzisionslösung für die Durchflussmessung bei Hydrauliksystemen auf Testständen, an Maschinenwerkzeugen und anderen festen oder beweglichen Anwendungen. Die Durchflussmesser können zur Produktionsüberprüfung, für Inbetriebnahmen oder Entwicklungsprüfungen des Durchflussmessers und für die Analyse von Überwachungssystemen an einem beliebigen Punkt im Hydraulikkreis installiert werden. Die kompakte Bauweise ermöglicht die Montage der Durchflussmesser an Orten mit begrenzten Platzverhältnissen. Die LTR-Durchflussturbine mit Frequenzgang bietet eine Präzisionslösung für die Durchflussmessung. Die CTR-Durchflussturbine verfügt über einen eingebauten Mikrocontroller, der das Signal vom Durchflussmesser so verarbeitet, dass ein genaues, lineares, analoges Ausgangssignal geliefert wird. Dies ermöglicht einen direkten Anschluss an Ihr Datenerfassungssystem, PLC oder digitale Anzeige, ohne dass Sie sich um komplexe Formeln oder Tabellen kümmern müssen. Im Angebot sind vier Versionen entweder mit 4–20 mA Stromschleife, 0–5 V oder 0–3 V Ausgang (mit Sensorerkennung, SR) enthalten. Der CTR-Durchflussmesser ist das ideale Werkzeug zur Überwachung der Leistung von Pumpen, Motoren, Ventilen und hydrostatischen Getrieben.

Dazu stehen unterschiedlichste Ableser und Signalwandler zur Verfügung, die das nötige Instrumentarium zur Analyse der Leistung von Pumpen, Motoren, Ventilen und hydrostatischen Getrieben bieten.

Die Produktreihe kann in zwei Familien aufgeteilt werden:

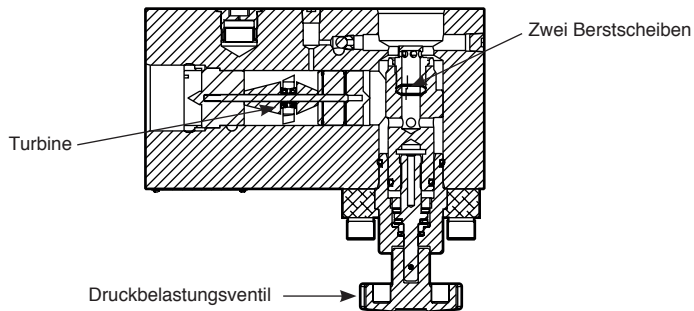
1. Standard-CT/LT
2. CTR/LTR, eine Durchflussturbine mit integriertem Belastungsventil

Diese Anleitung betrifft die CTR/LTR-Produktreihe.

Bitte lesen Sie diese Instruktionen ganz durch, bevor Sie das Gerät in Betrieb nehmen. Die Sicherheit könnte beeinträchtigt werden, falls diese Anleitungen nicht befolgt werden.

Webtec entwickelt und fertigt Durchflussmesser und hydraulische Komponenten seit über 40 Jahren. Wir arbeiten mit einem Qualitätssystem, welches nach ISO 9001 zertifiziert ist und jährlich extern geprüft und zertifiziert wird. Über den Standard hinaus ist Webtec bestrebt, konstante Verbesserungen in allen Bereichen einzubringen, insbesondere um die Bedürfnisse unserer Kunden und Lieferanten zu verstehen und unsere Systeme entsprechend zu entwickeln, um diesen gerecht zu werden. Wir sind immer daran interessiert, von Kunden zu hören, die vielleicht Bedürfnisse haben, die nicht durch unsere Standardprodukte abgedeckt werden.

Arbeitsweise



Die CTR/LTR verfügt über die zwei Funktionsbereiche Durchflussmesser und Belastungsventil, die beide in einem Aluminiumblock untergebracht sind.

Durchflussmesser

Alle Turbinen-Durchflussmesser funktionieren nach dem gleichen Prinzip: Das Turbinenrad wird von dem Fluidstrom angetrieben, seine Drehzahl ist proportional zur Strömungsgeschwindigkeit. Die Turbinendrehzahl wird mithilfe eines Magnetkopfes gemessen, der die Turbinenblätter anhand ihrer axialen Bewegung zählt. Die Turbinenblätter sind auf eine Minimierung der Auswirkungen von Temperatur- und Viskositätsschwankungen ausgelegt; die eingebauten Strömungsberuhiger beseitigen Strömungswirbel und ermöglichen eine Durchflussmessung in beiden Richtungen.

Belastungsventil

Alle Belastungsventile arbeiten nach dem gleichen Prinzip – ein Tellerventil wird über einen Gewindeschaf in eine Durchflussbohrung geschoben und heraus gezogen. Unabhängig von der Strömungsrichtung sorgt das einzigartige Design des druckausgeglichenen Tellerventils neben einer ausgezeichneten taktilen Rückführung dafür, dass in allen Durchflussvolumen- und Druckbereichen nur geringe Stellkräfte erforderlich sind. Bei Überdruck brechen die austauschbaren (im Tellerventil angeordneten) Berstscheiben, sodass das Öl bei niedrigem Druck zurückgeführt werden kann. Das Angebot umfasst Berstscheiben für verschiedene Druckbereiche von bis zu 480 bar.

Technische Daten

Betriebsdaten

Umgebungstemperatur:	5 bis 40 °C
Fluidarten:	Öle, Kraftstoffe, Wasser-Glykol-Gemische, Wasser-Öl-Emulsionen
Fluidtemperatur:	5 bis 90°C bei Dauerbetrieb
Genauigkeit:	1% des abgelesenen Werts über 15 - 100 % des Messbereichs Unterhalb von 15%: feste Abweichung um 1 % von 15 % des Gesamtbereichs
IP-Schutzklasse*:	CTR-SR – IP54 (EN60529) CTR-mA, CTR-5V, LTR – IP66 (EN60529) *Mit angeschlossenem Kabel

Elektrische Daten Modell CTR

Speisespannung (VS):	mA & 5V = 12 - 32 VDC, SR = 7 - 15 VDC
Stromausgang:	4 - 20 mA, dreiadrig, max. Schleifenwiderstand: (VS x 50)-200 Ohm
Spannungsausgang:	0 - 5 VDC, Stromverbrauch = 10 mA, min. Last: 20 kOhm
SR-Ausgang:	0 - 3 VDC

Elektrische Daten Modell LTR

Ausgang:	Frequenz: 20 - 2000 Hz
Impedanz:	3700 Ohm,
Induktivität:	1 kHz: 1,55 H

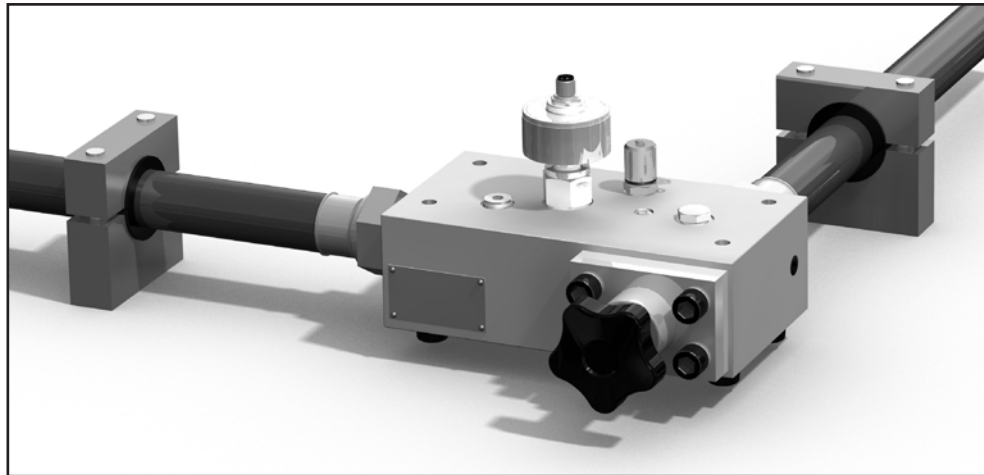
Konstruktionsmaterial

Durchflussgehäuse:	600/750/800/1500 Hochzugfestes Aluminium 2014A T6 15/60/150/300/400 Hochzugfestes Aluminium 2011 T6
Innenkomponenten:	Aluminium, Stahl, Edelstahl
Wandler:	Gehäuse aus Stahl 212A42 chemisch vernickelt, Deckel aus Aluminium 2011 T3
Dichtungen:	Viton-Dichtungen standardmäßig, EPDM auf Anfrage erhältlich. Bitte setzen Sie sich mit dem Vertriebsbüro in Verbindung.

Durchfluss- und Drucknennwerte: siehe Modelltabelle

Installationsanleitung

Alle Hydraulikverbindungen sollten durch geschultes Fachpersonal hergestellt werden. Der Durchmesser der Bohrungen an Ein- und Auslassverbindungen sollte zur Vermeidung von Venturi- oder Verengungseffekten dem Durchmesser des Durchflussmessers ähneln.



CTR-Durchflußmesser dargestellt in einem typischen Einbau.

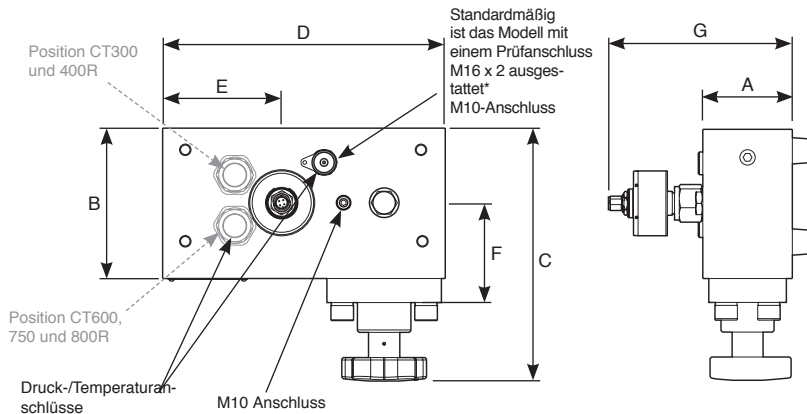
- Der Durchflussmesser sollte mit flexiblen Schläuchen angeschlossen werden. Die flexiblen Schläuche sollten zugentlastet (d. h. eingespannt) werden. Die Klemmen müssen mindestens dem Schlauchdurchmesser entsprechen und nahe den Anschlüssen platziert werden.
- Wir empfehlen die Installation eines 25-Mikron-Filters in dem dem Durchflussmesser vorgeschalteten Hydraulikkreis.
- Bedenken Sie die Effekte von Kavitationserosion, da dies die Einheit beschädigen könnte.
- Obwohl die Einheit bidirektional ist, wird eine höhere Genauigkeit erzielt, indem Sie den Durchfluss erst durch die Turbine und dann zum Belastungsventil leiten.
- Wenn diese Art von Durchflussblock dazu verwendet wird, um Niederdrucksysteme zu messen (z. B. Leckage am Gehäuse), wird empfohlen, ein Ablass- oder Sperrventil zu montieren, um gegen durch Durchflussschübe verursachten Überdruck, zu schützen.
- Tragen Sie Sorge, dass der Durchflussblock nicht an einer Stelle eingebaut wird, wo er übermäßigen Impulsen ausgesetzt ist, da dies zu inkorrekten Ablesungen führen könnte.
- Überprüfen Sie die IP-Schutzklasse bevor Sie in Nassbereichen installieren. Falls in einem Nassbereich installiert wird, verwenden Sie eine M12 Schutzkappe, solange kein Kabel angeschlossen ist. Die IP-Schutzklasse ist nur in komplett angeschlossenem Zustand gültig.
- Vor einem Test oder Durchfluss muss das Belastungsventil vollständig geöffnet (gegen den Uhrzeigersinn) und der Druck langsam erhöht werden.
- Der Durchflussblock kann in beliebiger Ausrichtung montiert werden.
- Alle Turbinen sind mit eingebauten Strömungsberuhigern ausgestattet, sodass bei begrenzten Platzverhältnissen die normale empfohlene Länge des geraden Schlauchabschnitts vom Zehnfachen des Schlauchdurchmessers auf das Achtfache reduziert werden kann.
- Alle Durchflussmesser sind auf der Oberseite für den optionalen Anschluss eines Temperatur- und eines Drucksensors mit drei zusätzlichen Anschlüssen versehen. Es gibt zwei 1/4" BSP- oder #4 SAE-O-Ring-Anschlüsse und einen M10x1-Anschluss. Als Standard ist ein 1/4" BSP oder #4 SAE mit einem Prüfanschluss versehen (M16x2) und beide anderen Anschlüsse sind abgedichtet. Weitere Einzelheiten und Angaben zur Anschlusskonfiguration finden Sie in der Modelltable.
- Für Anwendungen mit Hochleistungsarbeitsbedingungen, wie Installation nahe Kolbenpumpen, kontaktieren Sie bitte unseren Vertrieb, um Ihre Anforderungen genauer zu besprechen.
- Die internen Berstscheiben dienen zum Schutz des Prüfgeräts, nicht der Hydraulikanlage. Vergewissern Sie sich stets, dass geeignete Entlastungsvorrichtungen zum Schutz der Installation vorhanden sind.

Maße: Millimeter (Zoll)

Modell-Nr.	A	B	C	D	E	F	G	Weight kg (lbs)
CT300R	49 (2")	100 (4")	182 (7-1/8")	222 (8-3/4")	102.5 (4")	47.6 (1-7/8")	138 (5-1/2")	3.7 (8.1)
CT400R	49 (2")	100 (4")	182 (7-1/8")	222 (8-3/4")	102.5 (4")	47.6 (1-7/8")	138 (5-1/2")	3.7 (8.1)
CT600R	75 (3")	125 (5")	211 (8-3/8")	235 (9-3/4")	99 (3-7/8")	63 (2-1/2")	157 (6-1/8")	7.5 (16.5)
CT750R	75 (3")	125 (5")	211 (8-3/8")	235 (9-3/4")	99 (3-7/8")	63 (2-1/2")	157 (6-1/8")	7.5 (16.5)
CT800R	75 (3")	125 (5")	211 (8-3/8")	235 (9-3/4")	99 (3-7/8")	63 (2-1/2")	157 (6-1/8")	7.5 (16.5)

Rechnen Sie 20 mm (3/4") zu G für die Gesamthöhe mit Füßen hinzu.

Die Maße „G“ der SR-Version sind 9 mm (3/8") kürzer.



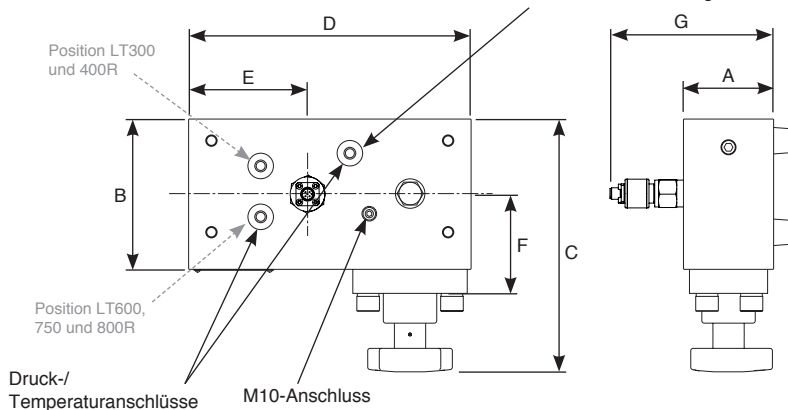
*Anschluss über Wechselventil verbunden, um Messung des Maximaldrucks ungeachtet der Strömungsrichtung zu gewährleisten.

Maße: Millimeter (Zoll)

Model No	A	B	C	D	E	F	G	Gewicht kg (lbs)
LT300R	49 (2")	100 (4")	182 (7-1/8")	222 (8-3/4")	102.5 (4")	47.6 (1-7/8")	150 (6")	3.7 (8.1)
LT400R	49 (2")	100 (4")	182 (7-1/8")	222 (8-3/4")	102.5 (4")	47.6 (1-7/8")	150 (6")	3.7 (8.1)
LT600R	75 (3")	125 (5")	211 (8-3/8")	235 (9-3/4")	99 (3-7/8")	63 (2-1/2")	169 (6-5/8")	7.5 (16.5)
LT800R	75 (3")	125 (5")	211 (8-3/8")	235 (9-3/4")	99 (3-7/8")	63 (2-1/2")	169 (6-5/8")	7.5 (16.5)

Rechnen Sie 20 mm (3/4") zu G für die Gesamthöhe mit Füßen hinzu.

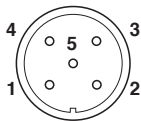
Standardmäßig ist das Modell mit einem Prüfanschluss M16 x 2 ausgestattet.*



*Anschluss über Wechselventil verbunden, um Messung des Maximaldrucks ungeachtet der Strömungsrichtung zu gewährleisten.

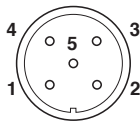
Anschlüsse Modell CTR/LTR

LT

**Stifte**

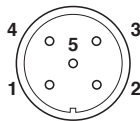
- 1 = Freq +ve
- 2 = Freq -ve
- 3 = Temp
- 4 = Temp
- 5 = N/C

CT (5V)

**Stifte**

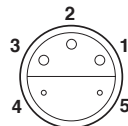
- 1 = +Ein
- 2 = N/C
- 3 = 0 - 5V Aus
- 4 = N/C
- 5 = MASSE

CT (4 - 20 mA)

**Stifte**

- 1 = +Ein
- 2 = N/C
- 3 = 4 - 20mA Aus
- 4 = N/C
- 5 = MASSE

Sensorerkennung (3V)

**Stifte**

- 1 = V Aus
- 2 = N/C
- 3 = +Ein
- 4 = MASSE
- 5 = Sensorerkennung

Hinweis: N/C = Nicht anschließen

Verbindungskabel (5m)

FT10228-05

Verlängerungskabel (5m)

FT10229-05

Anschluss (M12x1)

FT9880

FT9788

FT9789

N/A

Hinweis: Für CTR (5V) und CTR (4-20mA) verwenden Sie bitte ein abgeschirmtes Dreileiter-Kabel. Verbinden Sie die Abschirmung mit dem Gehäuse des Wandlers.

Modelltablelle

Modellnummer	Hauptanschlüsse	Oberer Anschlüsse*	Durchflussbereich	Maximaldruck
CT300R-**-B-B-6	1" BSPP	1/4" BSPP	8 - 300 lpm	420 bar
CT300R-**-S-S-6	1-5/16" -12UN #16 SAE ORB	7/16" -20UN #4 SAE ORB	2 - 80 US gpm	6000 psi
CT400R-**-B-B-6	1" BSPP	1/4" BSPP	10 - 400 lpm	420 bar
CT400R-**-S-S-6	1-5/16" -12UN #16 SAE ORB	7/16" -20UN #4 SAE ORB	2.5 - 100 US gpm	6000 psi
CT600R-**-F-B-3	1-1/2" #24 SAE-Code 61 Flansch mit 4 Bolzen	1/4" BSPP	20 - 600 lpm	210 bar
CT600R-**-F-S-3	1-1/2" #24 SAE-Code 61 Flansch mit 4 Bolzen	7/16" -20UN #4 SAE ORB	5 - 160 US gpm	3000 psi
CT600R-**-S-B-7	1-7/8" -12UN #24 SAE ORB	1/4" BSPP	15 - 600 lpm	480 bar
CT600R-**-S-S-7	1-7/8" -12UN #24 SAE ORB	7/16" -20UN #4 SAE ORB	4 - 160 US gpm	7000 psi
CT750R-SR-F-B-3	1-1/2" #24 SAE-Code 61 Flansch mit 4 Bolzen	1/4" BSPP	20 - 750 lpm	210 bar
CT750R-SR-F-S-3	1-1/2" #24 SAE-Code 61 Flansch mit 4 Bolzen	7/16" -20UN #4 SAE ORB	5 - 200 US gpm	3000 psi
CT750R-SR-S-B-7	1-7/8" -12UN #24 SAE ORB	1/4" BSPP	20 - 750 lpm	480 bar
CT750R-SR-S-S-7	1-7/8" -12UN #24 SAE ORB	7/16" -20UN #4 SAE ORB	5 - 200 US gpm	7000 psi
CT800R-**-F-B-3	1-1/2" #24 SAE-Code 61 Flansch mit 4 Bolzen	1/4" BSPP	20 - 600 lpm	210 bar
CT800R-**-S-B-7	1-7/8" -12UN #24 SAE ORB	1/4" BSPP	20 - 800 lpm	480 bar
CT800R-**-F-S-3	1-1/2" #24 SAE-Code 61 Flansch mit 4 Bolzen	7/16" -20UN #4 SAE ORB	5 - 210 US gpm	3000 psi
CT800R-**-S-S-7	1-7/8" -12UN #24 SAE ORB	7/16" -20UN #4 SAE ORB	5 - 210 US gpm	7000 psi

Die Modelle CT600, 750 und 800 können unterhalb von 86 l/min. den Druck nur begrenzt regulieren.

Der maximale regelbare Druck in diesem Bereich wird wie folgt berechnet: max. Druck (in bar) = 5 x Durchfluss (l/min) +30

Modellnummer	Hauptanschlüsse	Oberer Anschlüsse	Durchflussbereich	Maximaldruck
LT300R-FM-B-B-6	1" BSPP	1/4" BSPP	8 - 300 l/min	420 bar
LT300R-FM-S-S-6	1-5/16" -12UN #16 SAE ORB	7/16" -20UN #4 SAE ORB	2 - 80 US gpm	6000 psi
LT400R-FM-B-B-6	1" BSPP	1/4" BSPP	10 - 400 l/min	420 bar
LT400R-FM-S-S-6	1-5/16" -12UN #16 SAE ORB	7/16" -20UN #4 SAE ORB	2.5 - 100 US gpm	6000 psi
LT600R-FM-S-B-7	1-7/8" -12UN #24 SAE ORB	1/4" BSPP	20 - 600 l/min*	480 bar
LT600R-FM-S-S-7	1-7/8" -12UN #24 SAE ORB	7/16" -20UN #4 SAE ORB	5 - 160 US gpm*	7000 psi
LT600R-FM-F-B-3	1-1/2" #24 SAE Code 61 Flansch mit 4 Bolzen	1/4" BSPP	20 - 600 l/min*	210 bar
LT600R-FM-F-S-3	1-1/2" #24 SAE Code 61 Flansch mit 4 Bolzen	7/16" -20UN #4 SAE ORB	5 - 160 US gpm*	3000 psi
LT800R-FM-S-B-7	1-7/8" -12UN #24 SAE ORB	1/4" BSPP	20 - 800 l/min*	480 bar
LT800R-FM-S-S-7	1-7/8" -12UN #24 SAE ORB	7/16" -20UN #4 SAE ORB	5 - 210 US gpm*	7000 psi

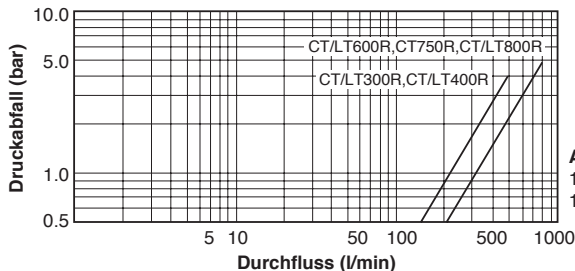
*Die Modelle LT600R und 800R können unterhalb von 86 l/min. den Druck nur begrenzt regulieren. Der maximale regelbare Druck in diesem Bereich wird wie folgt berechnet: max. Druck (in bar) = 5 x Durchfluss (l/min) +30.

Technische Hinweise

Alle Durchflussmesser werden bei 21 cSt als Standard kalibriert. Spezielle Kalibrationen für einen gewünschten Durchflussbereich oder eine andere Viskosität sind erhältlich. Auf Wunsch erteilen wir Ihnen dazu gerne nähere Auskünfte.

Druckabfall-Kennlinien

Hydrauliköl, Viskosität 21 Centistokes (Belastungsventil vollständig geöffnet)



Anmerkung

- 1 UK-Gallone = 4,546 Liter
- 1 US-Gallone = 3,785 Liter

Fluidviskosität

Die Leistung einer Durchflussturbine kann durch die Viskosität der gemessenen Flüssigkeit beeinflusst werden. Unsere Durchflussturbinen sind standardmäßig zwischen 18 und 26 cSt (durchschnittlich 21 cSt) kalibriert. Das entspricht der normalen kinematischen Viskosität von Hydraulikflüssigkeiten bei einer Betriebstemperatur von 50°C. Die kinematische Viskosität aller Hydraulikflüssigkeiten hängt von der Fluidtemperatur ab. Die unten abgebildete Tabelle zeigt die Auswirkung der Temperatur auf die kinematische Viskosität einer Reihe von typischen Hydraulikölen an.

Der schattierte Bereich der Tabelle gibt die Viskositäten an, die mit Durchflussmessern mit Standardkalibration mit minimaler Auswirkung auf die Genauigkeit (unterhalb von $\pm 1\%$ FS) gemessen werden können.

Durchflussmesser können auf Anfrage auch auf andere Viskositätswerte als auf den Standardwert kalibriert werden. Andernfalls können wir die zu erwartenden Messabweichungen angeben, wenn der Durchflussmesser bei anderen Viskositäten eingesetzt werden soll. Setzen Sie sich für weitere Informationen bitte mit dem Vertriebsbüro in Verbindung.

Tabelle der kinematischen Viskosität (cSt) von verschiedenen Mineralölen bei bestimmten Temperaturen

Temp °C	Fluid-Typ					
	ISO15	ISO22	ISO32	ISO37	ISO46	ISO68
0	85.9	165.6	309.3	449.9	527.6	894.3
10	49.0	87.0	150.8	204.7	244.9	393.3
20	30.4	50.5	82.2	105.5	127.9	196.1
30	20.1	31.6	48.8	59.8	73.1	107.7
40	14.0	21.0	31.0	36.6	44.9	63.9
50	10.2	14.7	20.8	23.9	29.4	40.5
60	7.7	10.7	14.7	16.5	20.2	27.2
70	6.0	8.1	10.9	12.0	14.6	19.2
80	4.8	6.4	8.4	9.1	11.1	14.3
90	4.0	5.2	6.6	7.2	8.7	11.1
100	3.3	4.3	5.5	6.0	7.1	8.9

ISO 15, 22, 32, 46 und 68 basierend auf typischen Werten für die Esso-Nuto-Reihe von HM-Ölen. ISO 37 basierend auf Shell-Tellus-HM-Öl.

Wartung und Instandsetzung

Austausch von Berstscheiben. Diese Arbeit darf nur von geschultem Fachpersonal ausgeführt werden.

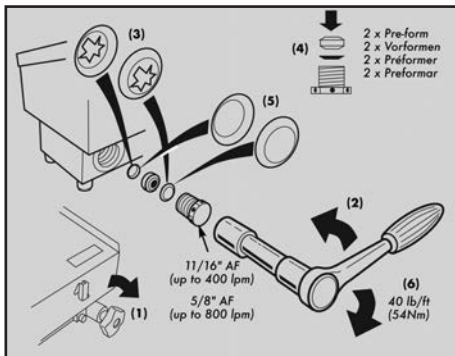


Diagramm zum Austausch von Berstscheiben – Hinweis Abb. DHM-Prüfgerät – LTR hat gleiche Merkmale

- Setzen Sie die erste Scheibe in das Ventil ein.
- Ersetzen Sie das Distanzstück.
- Setzen Sie die zweite Scheibe von oben auf das Distanzstück.
- Drehen Sie den Scheibenhalter ein und ziehen Sie ihn fest (54 Nm).
- Öffnen Sie das Belastungsventil vollständig.

Kalibration

Der empfohlene Zeitraum zwischen Kalibrationen beträgt 12 Monate. Zwischen Kalibrationen sollten nicht mehr als 36 Monate liegen. Die Genauigkeit der Einheit könnte durch den Arbeitszyklus, Zustand des Fluids oder längere Zeiträume zwischen Neukalibrationen beeinträchtigt werden.

Zubehör

Bei Webtec oder Ihrem Vertriebspartner finden Sie ein breites Angebot an Zubehörteilen. Hierzu gehören Drucksensoren (Reihe MPT), Adapter für Hochdrucktemperatursensoren (Reihe TP125), Kabel und externe Anzeigen (Reihe DP130).

Das Belastungsventil enthält austauschbare Berstscheiben, die den Druck ungefähr ab 7 bar (100 psi) über Maximaldruck durch interne Überbrückung des Ölstroms entlasten.

Austauschen der Berstscheiben

- Trennen Sie die Einheit vom Hydraulikkreis und entfernen Sie alle Armaturen von der Ausgangsöffnung.
- Die mit der Einheit gelieferten Ersatzscheiben befinden sich normalerweise im Block.
- Drehen Sie das Belastungsventil vollständig zu (im Uhrzeigersinn).
- Schrauben Sie den Berstscheibenhalter vom Ventil ab.
- Entfernen Sie das Distanzstück und die geborstenen Scheiben vom Ventil und Scheibenhalter.
- Passen Sie die zwei Scheiben vorsichtig an, indem Sie diese von Hand zwischen Scheibenhalter und Distanzstück eindrücken.

Introduction

Les débitmètres à turbine Webtec offre une solution précise de mesure du débit des systèmes hydrauliques sur bancs d'essais, machines-outils et autres applications fixes ou mobiles. Le débitmètre peut être installé partout dans le circuit hydraulique pour les tests de production, la mise en service, les tests de développement et l'analyse des systèmes de contrôle. La conception compacte permet d'installer les débitmètres dans des endroits où l'espace est restreint. Le débitmètre à turbine LTR à sortie de fréquence offre une solution précise de mesure du débit. Le débitmètre à turbine CTR est doté d'un microcontrôleur intégré conditionnant le signal provenant du débitmètre afin d'assurer une sortie analogique précise. Cela vous permet de raccorder le débitmètre directement à votre affichage numérique, à un automate programmable ou à un système d'acquisition de données personnalisé sans avoir à vous inquiéter des facteurs complexes d'étalonnage ou des tables de correspondance. Quatre versions sont disponibles, offrant une sortie en boucle de courant de 4 – 20 mA, en tension de 0 – 5 V ou de 0 – 3 V (reconnaissance de capteur). Le débitmètre CTR est l'outil idéal pour la surveillance des performances des pompes, des moteurs, des soupapes et des transmissions hydrostatiques.

Une vaste gamme de dispositifs de lecture et de convertisseurs de signal est disponible. Ils fournissent l'instrumentation requise pour analyser les performances des pompes, des moteurs, des soupapes et des transmissions hydrostatiques.

La gamme de produits peut être divisée en deux familles :

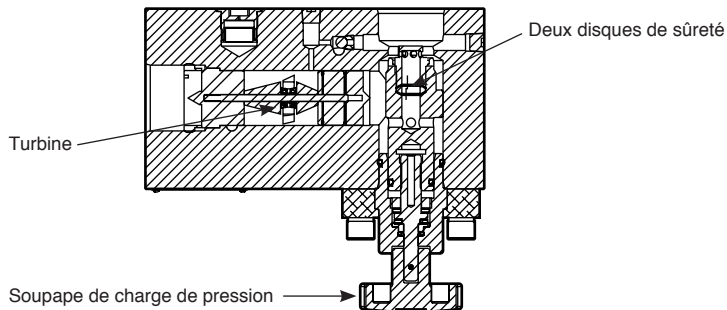
1. Les CT/LT standard
2. Les CTR/LTR, débitmètres à turbine avec vanne de charge intégrée

Ce manuel couvre les gammes de produits CTR/LTR.

Lire complètement ces instructions avant la première mise en œuvre de l'équipement. La sécurité peut être compromise si elles ne sont pas suivies.

Webtec conçoit et fabrique des débitmètres et des composants hydrauliques depuis plus de 40 ans. Nous fonctionnons dans un système de gestion de qualité qui est conforme aux conditions du 9001:2000 BS EN ISO, qui est contrôlé chaque année par un organisme extérieur qui nous délivre un certificat. Au-delà de la conformité à la norme, Webtec vise constamment à l'amélioration de tout ce qu'il entreprend ; et plus particulièrement à répondre aux attentes de ses clients et fournisseurs, dans la conception de ses systèmes et dans ses méthodes de travail, pour satisfaire leurs besoins. Nous sommes toujours attentifs aux clients porteurs de demandes spéciales que notre gamme standard ne peut satisfaire.

Principe de fonctionnement



Le CTR/LTR présente deux zones fonctionnelles : un débitmètre et une soupape de charge. Tous deux sont situés dans un bloc d'aluminium.

Débitmètre

Tous les débitmètres CTR/ LTR fonctionnent sur le même principe de base : le débit de fluide est utilisé pour faire tourner une turbine et la vitesse de rotation de la turbine est proportionnelle à la valeur du débit. Cette vitesse de rotation est mesurée par un capteur magnétique qui effectue le comptage du passage des aubes de la turbine axiale. Les aubes de la turbine sont conçues pour minimiser les effets des variations de température et de viscosité, et des stabilisateurs de débit intégrés permettent d'éliminer les effets des débits turbulents ainsi qu'une mesure du débit dans les deux sens de circulation.

Soupape de charge

Toutes les soupapes de charge fonctionnent sur le même principe : un clapet vient s'appliquer contre ou s'écarter d'un orifice d'écoulement par l'intermédiaire d'une tige filetée. La conception unique du clapet équilibré en pression garantit de faibles efforts d'appui sur l'ensemble des plages de pression et de débit, en plus d'une excellente réponse tactile quelle que soit la direction de l'écoulement. En cas de surpression, des disques de sûreté remplaçables (situés au niveau de la vanne à clapet) se rompent pour créer ainsi une dérivation interne de l'huile à basse pression. Des disques de sûreté affichant différentes plages de pression allant jusqu'à 480 bars (7000 psi) sont disponibles.

Caractéristiques

Caractéristiques de fonctionnement

Température ambiante :	De 5 à 40 °C (de 41 à 104 °F)
Type de fluide :	Huiles, carburants, glycol d'eau, émulsions huile-eau
Température du fluide :	De 5 à 90 °C (de 41 à 194 °F) en usage continu
Précision :	De 15 à 100 % de la plage - 1 % de la valeur indiquée En dessous de 15 %, précision fixe de 1 % sur 15 % de l'échelle complète
Degré de protection*:	CTR-SR – IP54 (EN60529) CTR-mA, CTR-5V, LTR – IP66 (EN60529) *Avec le câble connecté

Caractéristiques électriques CTR

Tension d'alimentation (VA) :	mA & 5V = 12 - 32 Vcc, SR = 7 - 15 Vcc
Sortie de courant :	4 - 20 mA, 3 fils, résistance de boucle max = (VA x 50) - 200 ohms
Sortie de tension :	0 - 5 VCC, consommation de courant = 10 mA, charge minimale de 20K ohms
Sortie SR :	0 - 3 VCC

Caractéristiques électriques LTR

Sortie :	Fréquence - 20 à 2 000 Hz
Impédance :	3700 ohms,
Inductance :	1kHz : 1,55 H

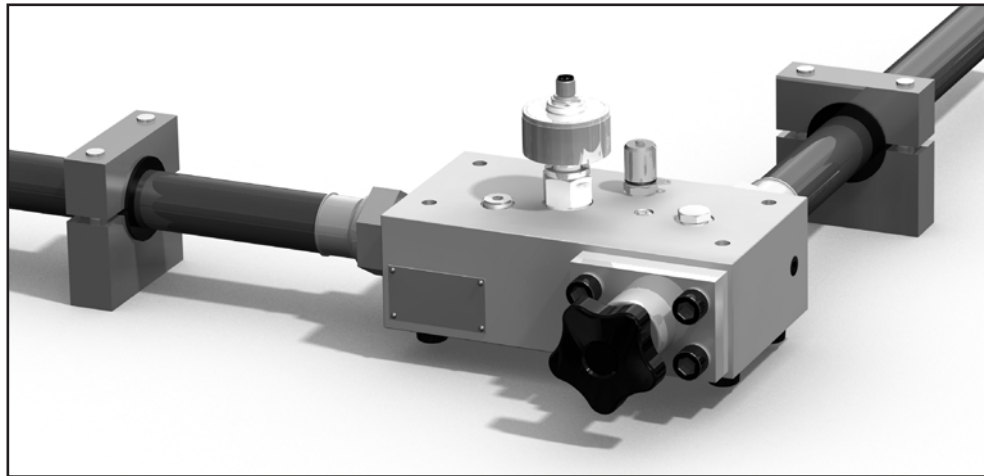
Matériau de fabrication

Corps du débitmètre :	600/750/800/1500 Aluminium à haute résistance 2014A T6 15/60/150/300/400 Aluminium à haute résistance 2011 T6
Pièces internes :	Aluminium, acier, acier inoxydable
Capteur :	Corps - acier 212A42 dépôt autocatalytique au nickel, couvercle - aluminium 2011 T3
Joint :	Joint Viton en standard, joints EPDM disponibles sur demande - consulter le service commercial

Consulter le tableau avec les différents modèles pour les plages de débit et de pression

Guide d'installation

Tous les branchements hydrauliques doivent être effectués par un personnel suffisamment qualifié. Pour éviter les effets venturi ou de restriction, les raccordements à l'entrée et à la sortie doivent toujours avoir un diamètre intérieur similaire.



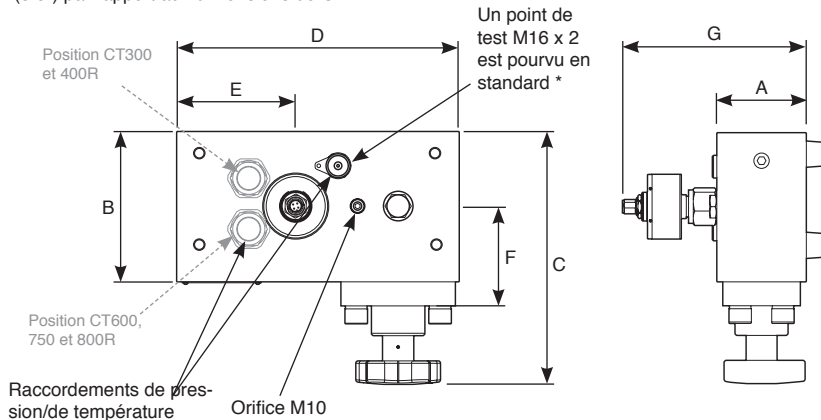
Débitmètre CTR montré dans un montage courant.

- Le débitmètre doit être raccordé par flexibles. Les flexibles doivent être maintenus droits (fixés). S'assurer que les fixations soient larges d'au moins un diamètre de flexible et qu'elles soient le plus proche possible des raccords.
- Il est recommandé d'installer un filtre de 25 microns dans le circuit hydraulique en amont du débitmètre.
- Une attention particulière doit être apportée aux effets de l'érosion par cavitation car elle peut endommager l'unité.
- Même si l'unité est bidirectionnelle, une meilleure précision est obtenue lorsque le débit s'écoule tout d'abord à travers la turbine, puis à travers la soupape de charge.
- Lorsque l'on utilise ce type de bloc débitmètre pour la mesure dans des systèmes basse pression, comme les débits de fuite, il est recommandé qu'un limiteur de pression ou un clapet anti-retour soit monté pour la protection contre les pressions excessives que peuvent causer les à-coups de débits.
- Il est également recommandé de ne pas monter le bloc débitmètre à un endroit où il pourrait être soumis à des pulsations excessives car cela peut engendrer des lectures incorrectes.
- Vérifier la valeur IP avant de d'installer dans un endroit humide. Si installation dans un endroit humide, utiliser un bouchon M12 pour protéger le connecteur quand le câble n'est pas branché. La valeur IP ne s'applique que quand le câble est connecté.
- Avant de commencer un essai ou un écoulement, s'assurer que la soupape de charge est complètement ouverte (tourner dans le sens antihoraire) et augmenter la pression doucement.
- Le bloc débitmètre peut être monté dans n'importe quelle orientation.
- Les débitmètres à turbine LTR** possèdent des stabilisateurs de débit intégrés permettant de réduire la longueur de partie rectiligne du tube de la valeur normale recommandée de 10 Ø à 8 Ø, là où la place est limitée.
- Tous les débitmètres présentent trois orifices supplémentaires sur leur partie supérieure afin de permettre à l'utilisateur de raccorder à la fois un capteur de température et un capteur de pression. L'appareil est muni de deux orifices à joints toriques 1/4" BSP ou #4 SAE et d'un orifice M10x1. Un point de test M16x2 est monté en standard sur l'un des orifices 1/4" BSP ou #4 SAE, et les 2 autres sont bouchés. Voir le tableau des modèles pour plus de détails et la configuration des orifices.
- Pour des applications difficiles, telles que par exemple le montage du débitmètre près d'une pompe à pistons, ou tout conseil d'installation, contacter le service commercial.
- Les disques de rupture internes sont destinés à protéger le testeur, et non l'installation hydraulique. Toujours s'assurer que les dispositifs de sécurité appropriés sont pourvus pour assurer la protection de l'installation.

Dimensions : millimètres (pouces)

Modèle n°	A	B	C	D	E	F	G	Weight kg (lbs)
CT300R	49 (2")	100 (4")	182 (7-1/8")	222 (8-3/4")	102.5 (4")	47.6 (1-7/8")	138 (5-1/2")	3.7 (8.1)
CT400R	49 (2")	100 (4")	182 (7-1/8")	222 (8-3/4")	102.5 (4")	47.6 (1-7/8")	138 (5-1/2")	3.7 (8.1)
CT600R	75 (3")	125 (5")	211 (8-3/8")	235 (9-3/4")	99 (3-7/8")	63 (2-1/2")	157 (6-1/8")	7.5 (16.5)
CT750R	75 (3")	125 (5")	211 (8-3/8")	235 (9-3/4")	99 (3-7/8")	63 (2-1/2")	157 (6-1/8")	7.5 (16.5)
CT800R	75 (3")	125 (5")	211 (8-3/8")	235 (9-3/4")	99 (3-7/8")	63 (2-1/2")	157 (6-1/8")	7.5 (16.5)

Ajouter 20 mm (3/4") à G pour obtenir la hauteur totale, pieds inclus. La version SR est plus courte de 9 mm (3/8") par rapport aux dimensions de G.

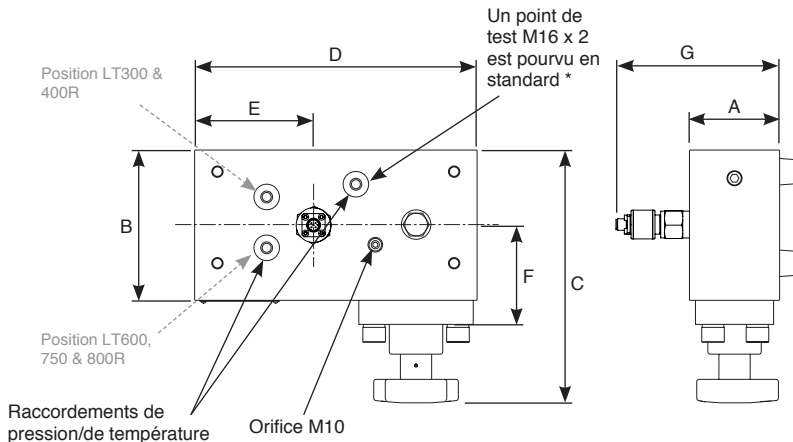


* Orifice raccordé par l'intermédiaire d'un sélecteur de circuit afin de garantir que la pression maximale est mesurée quelle que soit la direction de l'écoulement.

Dimensions : millimètres (pouces)

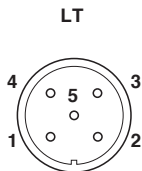
Modèle n°	A	B	C	D	E	F	G	Masse kg (lbs)
LT300R	49 (2")	100 (4")	182 (7-1/8")	222 (8-3/4")	102.5 (4")	47.6 (1-7/8")	150 (6")	3.7 (8.1)
LT400R	49 (2")	100 (4")	182 (7-1/8")	222 (8-3/4")	102.5 (4")	47.6 (1-7/8")	150 (6")	3.7 (8.1)
LT600R	75 (3")	125 (5")	211 (8-3/8")	235 (9-3/4")	99 (3-7/8")	63 (2-1/2")	169 (6-5/8")	7.5 (16.5)
LT800R	75 (3")	125 (5")	211 (8-3/8")	235 (9-3/4")	99 (3-7/8")	63 (2-1/2")	169 (6-5/8")	7.5 (16.5)

Ajouter 20 mm (3/4") à G pour obtenir la hauteur totale avec les pieds.

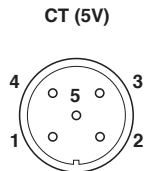


* Orifice raccordé par l'intermédiaire d'un sélecteur de circuit afin de garantir que la pression maximale est mesurée quelle que soit la direction de l'écoulement.

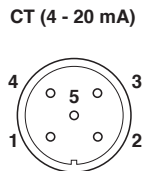
Détails du branchement des CTR/LTR



Broches
 1 = Freq +ve
 2 = Freq -ve
 3 = Temp
 4 = Temp
 5 = N/C



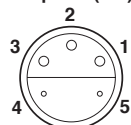
Broches
 1 = + Entrée
 2 = N/C
 3 = Sortie 0 - 5 V
 4 = N/C
 5 = TERRE



Broches
 1 = +Entrée
 2 = N/C
 3 = Sortie 4 - 20mA
 4 = N/C
 5 = TERRE

Remarque : N/C = Ne pas raccorder

Reconnaissance de capteur (3 V)



Broches
 1 = V Sortie
 2 = N/C
 3 = +Entrée
 4 = TERRE
 5 = Reconnaissance de capteur

Câble de raccordement (5m) FT10228-05
Câble de rallonge (5m) FT10229-05
Connecteur (M12x1) FT9880

FT9788
 FT9789
 N/A

N.B.: Pour un CTR (5V) et CTR (4-20mA) utilisez un câble à trois conducteurs. Raccordez le blindage au boîtier du transducteur.

Tableau des modèles

Modèle n°	Orifices principaux	Ports du haut*	Plage de débit	Pression max.
CT300R-**-B-B-6	1" BSPP	1/4" BSPP	8 - 300 lpm	420 bar
CT300R-**-S-S-6	1-5/16" -12UN #16 SAE ORB	7/16" -20UN #4 SAE ORB	2 - 80 US gpm	6000 psi
CT400R-**-B-B-6	1" BSPP	1/4" BSPP	10 - 400 lpm	420 bar
CT400R-**-S-S-6	1-5/16" -12UN #16 SAE ORB	7/16" -20UN #4 SAE ORB	2.5 - 100 US gpm	6000 psi
CT600R-**-F-B-3	1-1/2" #24 SAE Code 61, bride 4 boulons	1/4" BSPP	20 - 600 lpm	210 bar
CT600R-**-F-S-3	1-1/2" #24 SAE Code 61, bride 4 boulons	7/16" -20UN #4 SAE ORB	5 - 160 US gpm	3000 psi
CT600R-**-S-B-7	1-7/8" -12UN #24 SAE ORB	1/4" BSPP	15 - 600 lpm	480 bar
CT600R-**-S-S-7	1-7/8" -12UN #24 SAE ORB	7/16" -20UN #4 SAE ORB	4 - 160 US gpm	7000 psi
CT750R-SR-F-B-3	1-1/2" #24 SAE Code 61, bride 4 boulons	1/4" BSPP	20 - 750 lpm	210 bar
CT750R-SR-F-S-3	1-1/2" #24 SAE Code 61, bride 4 boulons	7/16" -20UN #4 SAE ORB	5 - 200 US gpm	3000 psi
CT750R-SR-S-B-7	1-7/8" -12UN #24 SAE ORB	1/4" BSPP	20 - 750 lpm	480 bar
CT750R-SR-S-S-7	1-7/8" -12UN #24 SAE ORB	7/16" -20UN #4 SAE ORB	5 - 200 US gpm	7000 psi
CT800R-**-F-B-3	1-1/2" #24 SAE Code 61, bride 4 boulons	1/4" BSPP	20 - 600 lpm	210 bar
CT800R-**-S-B-7	1-7/8" -12UN #24 SAE ORB	1/4" BSPP	20 - 800 lpm	480 bar
CT800R-**-F-S-3	1-1/2" #24 SAE Code 61, bride 4 boulons	7/16" -20UN #4 SAE ORB	5 - 210 US gpm	3000 psi
CT800R-**-S-S-7	1-7/8" -12UN #24 SAE ORB	7/16" -20UN #4 SAE ORB	5 - 210 US gpm	7000 psi

Les CT600, 750, 800 ont un contrôle de pression limité au-dessous de 86 l/min (23 gallons US/min). La pression contrôlable maximale dans cette région est donnée par : Pression maxi. (en bars) = 5 x débit (l/min) + 30

Modèle n°.	Orifices principaux	Orifices du dessus	Plage de débit	Pression max.
LT300R-FM-B-B-6	1" BSPP	1/4" BSPP	8 - 300 l/min	420 bar
LT300R-FM-S-S-6	1-5/16" -12UN #16 SAE ORB	7/16" -20UN #4 SAE ORB	2 - 80 US gpm	6000 psi
LT400R-FM-B-B-6	1" BSPP	1/4" BSPP	10 - 400 l/min	420 bar
LT400R-FM-S-S-6	1-5/16" -12UN #16 SAE ORB	7/16" -20UN #4 SAE ORB	2.5 - 100 US gpm	6000 psi
LT600R-FM-S-B-7	1-7/8" -12UN #24 SAE ORB	1/4" BSPP	20 - 600 l/min*	480 bar
LT600R-FM-S-S-7	1-7/8" -12UN #24 SAE ORB	7/16" -20UN #4 SAE ORB	5 - 160 US gpm*	7000 psi
LT600R-FM-F-B-3	1-1/2" #24 SAE Code 61 bride 4 boulons	1/4" BSPP	20-600 l/min*	210 bar
LT600R-FM-F-S-3	1-1/2" #24 SAE Code 61 bride 4 boulons	7/16" -20UN #4 SAE ORB	5-160 US gpm*	3000 psi
LT800R-FM-S-B-7	1-7/8" -12UN #24 SAE ORB	1/4" BSPP	20 - 800 l/min*	480 bar
LT800R-FM-S-S-7	1-7/8" -12UN #24 SAE ORB	7/16" -20UN #4 SAE ORB	5 - 210 US gpm*	7000 psi

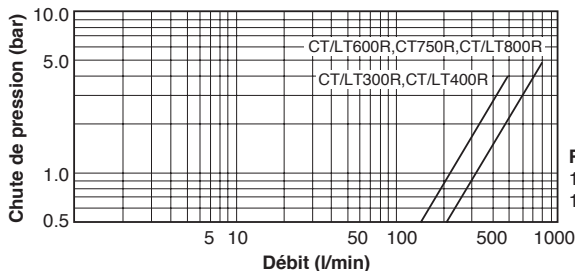
*Les LT600R & 800R ont un contrôle de pression limité au-dessous de 86 l/min (23 gallons US/min). La pression contrôlable maximale dans cette région est donnée par : Pression maxi. (en bars) = 5 x débit (l/min) + 30.

Informations techniques

Tous les débitmètres sont étalonnés avec une viscosité de 21 cSt en standard. Des étalonnages spéciaux sont possibles sur une plage de débits personnalisée ou à des viscosités différentes. Veuillez contacter le service commercial pour l'étude de votre application.

Graphique de chute de pression

Viscosité de l'huile hydraulique : 21 cSt (vanne de charge totalement ouverte)



Remarque :

- 1 gallon brit. = 4,546 litres
- 1 gallon US = 3,785 litres

Viscosité du fluide

Les performances d'un débitmètre à turbine peuvent être affectées par la viscosité du fluide mesuré. Nos débitmètres à turbine sont étalonnés en standard sur une plage de 18 à 26 cSt (viscosité moyenne de 21 cSt), ce qui représente la viscosité cinématique typique d'un fluide hydraulique utilisé à 50 °C. La viscosité cinématique de tous les fluides hydrauliques est liée à la température du fluide et le tableau ci-dessous montre l'effet de la température sur la viscosité cinématique pour différents types d'huiles hydrauliques typiques.

La zone ombrée du tableau représente la plage de viscosités pouvant être mesurées par un débitmètre avec un étalonnage standard, avec un effet minimal sur la précision (moins de ± 1 % de la pleine échelle).

Les débitmètres peuvent être spécialement étalonnés à une viscosité différente de la viscosité standard ; nous pouvons aussi spécifier l'erreur prévue lorsque le débitmètre est utilisé à d'autres viscosités. Contacter le service commercial pour de plus amples informations.

Tableau montrant la viscosité cinématique (cSt) de différentes huiles minérales à des températures spécifiques.

Temp °C	Type de fluide					
	ISO15	ISO22	ISO32	ISO37	ISO46	ISO68
0	85.9	165.6	309.3	449.9	527.6	894.3
10	49.0	87.0	150.8	204.7	244.9	393.3
20	30.4	50.5	82.2	105.5	127.9	196.1
30	20.1	31.6	48.8	59.8	73.1	107.7
40	14.0	21.0	31.0	36.6	44.9	63.9
50	10.2	14.7	20.8	23.9	29.4	40.5
60	7.7	10.7	14.7	16.5	20.2	27.2
70	6.0	8.1	10.9	12.0	14.6	19.2
80	4.8	6.4	8.4	9.1	11.1	14.3
90	4.0	5.2	6.6	7.2	8.7	11.1
100	3.3	4.3	5.5	6.0	7.1	8.9

ISO 15, 22, 32, 46 et 68, selon les valeurs normalement rencontrées pour la gamme Esso Nuto d'huiles HM. ISO 37, selon l'huile HM Shell Tellus.

Maintenance et entretien

Remplacement des disques de rupture. Cette procédure ne devra être exécutée que par un personnel parfaitement qualifié.

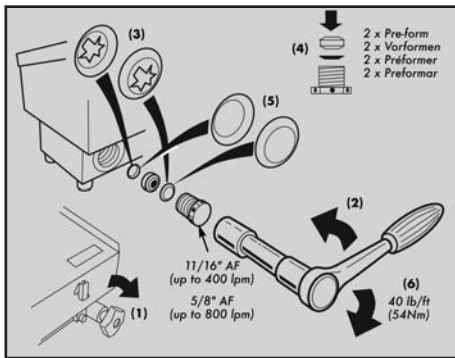


Diagramme de remplacement du disque de rupture - Remarque : Testeur DHM représenté - La procédure est identique pour le LTR

- Placer le premier disque à l'intérieur de la soupape
- Remettre en place l'entretoise
- Placer le second disque sur le haut de l'entretoise
- Visser le support de disque. Serrer à un couple de 54 Nm (40 lb.ft)
- Ouvrir complètement la soupape de charge.

Étalonnage

La période recommandée entre deux étalonnages est de 12 mois. La période maximale entre deux étalonnages est 36 mois. La précision de l'appareil peut être affectée par les cycles d'utilisations, la propreté du fluide ou une période trop longue sans étalonnage.

Accessoires

Une large gamme d'accessoires est disponible chez Webtec ou auprès de votre distributeur local. Elle comprend notamment des capteurs de pression (gamme MPT), des capteurs de température haute pression (gamme TP125), des adaptateurs, des câbles et des afficheurs à distance (gamme DP130).

La soupape de charge comporte des disques de sûreté remplaçables qui libèrent la pression à approximativement 7 bars (100 psi) au-dessus de la pression maximale en créant une dérivation interne de l'huile.

Remplacement des disques de sûreté

- Déconnecter l'unité du circuit hydraulique et retirer les raccords de l'orifice de sortie
- Localiser les nouveaux disques – l'unité est livrée avec des disques de rechange situés dans le bloc
- Fermer complètement la soupape de charge – (tourner dans le sens horaire)
- Dévisser le support de disque de sûreté de la soupape.
- Retirer l'entretoise du disque et les disques rompus de la soupape et du support de disque
- Positionner avec soin les deux disques en les pressant à la main entre le support de disque et l'entretoise

Introducción

Los caudalímetros de turbina Webtec ofrecen una solución de precisión para la medición del caudal en sistemas hidráulicos en bancos de prueba, máquinas herramienta y otras aplicaciones fijas o móviles. Los caudalímetros pueden instalarse en cualquier parte del circuito hidráulico para realizar pruebas de producción, puesta en servicio, pruebas de desarrollo y análisis de sistemas de regulación. El compacto diseño de los caudalímetros permite instalarlos en sitios donde el espacio es reducido. El caudalímetro de turbina LTR con salida de frecuencia ofrece una solución de precisión para la medición del caudal. El caudalímetro de turbina CTR incorpora un microcontrolador que acondiciona la señal que produce el caudalímetro para asegurar la exactitud de la señal de salida analógica. Esto permite conectar el caudalímetro directamente a una pantalla digital, un autómata programable o un sistema de adquisición de datos a la medida sin necesidad de lidiar con complejos factores de calibración o tablas de consulta. Existen cuatro versiones principales que ofrecen salida de bucle de corriente de 4-20 mA, 0-5 V o 0-3 V (reconocimiento de sensor). El caudalímetro de turbina serie CTR es la herramienta ideal para medir el rendimiento de bombas, motores, válvulas y transmisiones hidrostáticas.

Disponemos de una amplia variedad de indicadores y convertidores de señal para proporcionar la instrumentación necesaria para analizar el rendimiento de bombas, motores, válvulas y transmisiones hidrostáticas.

La gama de productos puede dividirse en dos familias:

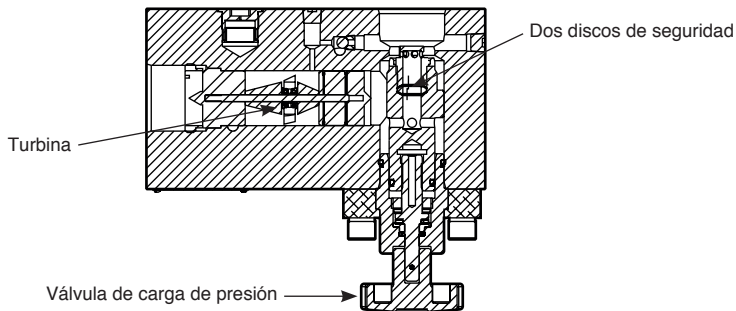
1. CT/LT estándar
2. CTR/LTR, un caudalímetro de turbina con válvula de carga interna

Este manual describe la gama de productos CTR/LTR estándar.

Antes de operar el equipo por primera vez lea estas instrucciones de principio a fin. La seguridad podría verse comprometida si no se observan estas instrucciones.

Webtec lleva más de 40 años diseñando y fabricando caudalímetros y componentes hidráulicos. Trabajamos conforme a un sistema de gestión de calidad que cumple los requisitos de la norma BS EN ISO 9001 y que se somete a una audición externa y certificación todos los años. Además del cumplimiento de esta norma, en Webtec estamos comprometidos a mejorar continuamente todo lo que hacemos, sobre todo a la hora de entender qué es lo que más les importa a clientes y proveedores, así como de diseñar nuestros sistemas y trabajar para satisfacer sus necesidades. Siempre estamos a su disposición para atender las consultas de clientes con requisitos diferentes a los que ofrecen nuestras gamas estándar.

Funcionamiento básico



El CTR/LTR tiene dos componentes funcionales, el caudalímetro y la válvula de carga, ambos alojados en un bloque de aluminio.

Caudalímetro

El funcionamiento de todos los caudalímetros de la serie LT se fundamenta en la misma base teórica: el aprovechamiento del flujo del fluido para hacer girar la turbina a una velocidad proporcional al caudal. Esta velocidad de giro se mide con un transductor magnético que cuenta los álabes de la turbina axial a medida que pasan estas. Los álabes han sido diseñados para reducir al mínimo los efectos de las variaciones de temperatura y viscosidad, mientras que los enderezadores de flujo internos eliminan el remolino del fluido y permiten medir el caudal en ambas direcciones.

Válvula de carga

Todas las válvulas de carga tienen el mismo principio de funcionamiento: un vástago entra y sale de una lumbrera de flujo por acción de un eje roscado. El exclusivo diseño del vástago, que queda equilibrado por la presión, asegura el bajo esfuerzo de asa necesario en todos los intervalos de caudal y presión, además de una excelente respuesta táctil, en cualquiera de los dos sentidos de flujo. En caso de sobrepresión, se rompen los discos de seguridad reemplazables (situados dentro del vástago) para derivar el aceite a baja presión por un circuito interno. Disponemos de discos de seguridad de diversos intervalos de presión hasta 480 bar (7000 psi).

Especificaciones

Especificación funcional

Temperatura ambiente:	5 - 40 °C (41 - 104 °F)
Tipo de fluido:	Aceites, combustibles, agua/glicol, emulsiones de aceite/agua
Temperatura del fluido:	5 - 90 °C (41 - 194 °F) uso continuo
Exactitud:	15 - 100% del intervalo: 1% de la lectura indicada Por debajo del 15%: 0,15% a fondo de escala
Grado de protección*:	CTR-SR – IP54 (EN60529) CTR-mA, CTR-5V, LTR – IP66 (EN60529) *Con cable conectado

Especificación eléctrica de la serie CTR

Tensión de alimentación (VA):	mA & 5V = 12 - 32 VCC, SR = 7 - 15 VCC
Salida de corriente:	4 - 20 mA, 3 hilos, resistencia máx. del bucle = (VA x 50) - 200 ohmios
Salida de tensión:	0 - 5 V CC, consumo de corriente = 10 mA, carga mínima 20000 ohmios
Salida de reconocimiento de sensor:	0 - 3 V CC

Especificación eléctrica de la serie LTR

Salida:	Frecuencia de 20-2000 Hz
Impedancia:	3700 ohmios
Inductancia:	1 kHz: 1,55 H

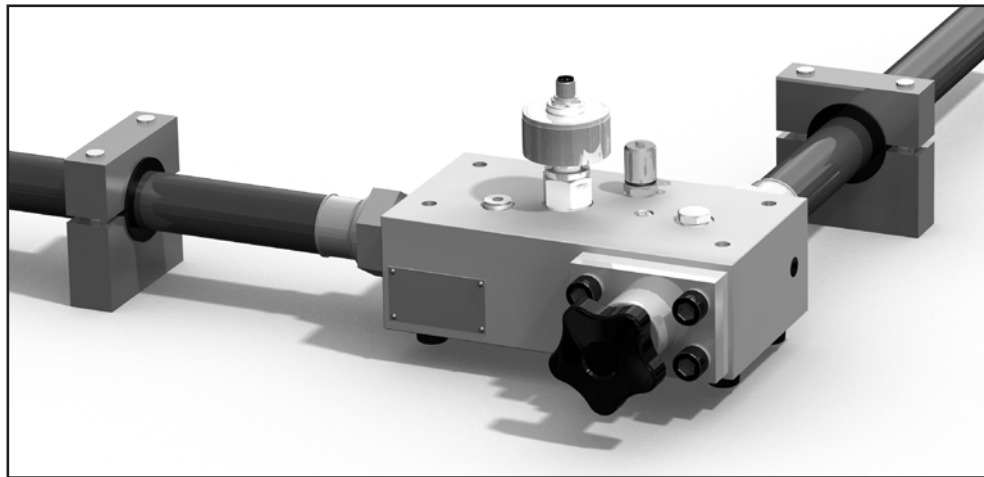
Material de construcción

Cuerpo del caudalímetro:	600/750/800/1500: aluminio 2014A T6 de alta resistencia 15/60/150/300/400: aluminio 2011 T6 de alta resistencia
Piezas internas:	Aluminio, acero, acero inoxidable
Transductor:	Cuerpo: acero 212A42 con niquelado químico, tapa: aluminio 2011 T3
Juntas:	Juntas de Viton de serie, de EPDM en opción; consulte al departamento de ventas

Los valores nominales de caudal y presión se indican en la tabla de modelos

Guía de instalación

Todas las conexiones hidráulicas deben ser realizadas por personal debidamente capacitado. Las conexiones de entrada y salida deben siempre tener un diámetro interno similar al del caudalímetro para evitar los efectos de Venturi o estrechamiento.



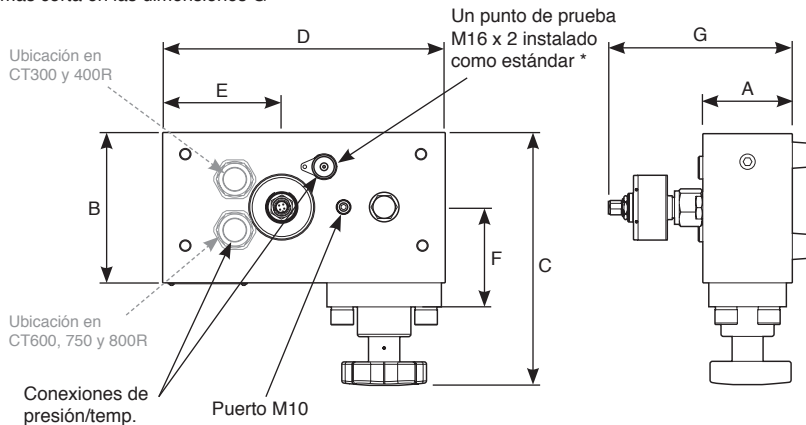
Flujometro CTR Mostrado En Un Montaje Típico.

- El caudalímetro debe conectarse mediante un tubo flexible. Los tubos flexibles deben estar sin tensión (sujetos con abrazaderas). Asegúrese de que las abrazaderas tengan una anchura equivalente al diámetro de la tubería, como mínimo, y sitúelas cerca de las fijaciones.
- Se recomienda instalar un filtro de 25 micras en el circuito hidráulico antes del caudalímetro.
- Los efectos de la erosión por cavitación deben tenerse en cuenta ya que esto podría dañar el aparato.
- Si bien el aparato es bidireccional, se logrará una mayor exactitud si el flujo pasa siempre primero por la turbina y después por la válvula de carga.
- Al utilizar este tipo de caudalímetro para medir sistemas de baja presión, por ejemplo para medir fugas internas en motores y bombas, se recomienda instalar una válvula de seguridad o válvula de retención para proteger contra la presión excesiva ocasionada por los picos de caudal.
- Hay que asegurarse de que el caudalímetro se instale en una posición en la que no esté sometido a una pulsación excesiva ya que esto puede dar lugar a lecturas incorrectas.
- Revisa calificaciones IP antes de instalar en zonas húmedas. Si decide instalar en zonas húmedas use una capa M12 para proteger conector cuando no hay cable presente. Clasificación IP solamente aplica si la unidad está completamente conectada.
- Antes de iniciar una prueba o el flujo, verifique que la válvula de carga esté completamente abierta (en sentido contrario a las agujas del reloj) y aumente lentamente la presión.
- El caudalímetro puede montarse en cualquier orientación.
- Los caudalímetros de turbina cuentan con enderezadores de flujo internos, por lo que la longitud normal recomendada de 10 Ø de tubo recto puede reducirse a 8 Ø cuando el espacio es reducido.
- Todos los caudalímetros serie incluyen tres porticos adicionales en la cara superior del caudalímetro para que el usuario pueda conectar tanto un sensor de temperatura como un sensor de presión. Hay dos porticos BSP de 1/4" o SAE N.º 4 y un Portico M10x1. Una de los Porticos BSP de 1/4" o SAE N.º 4 lleva instalado un punto de prueba (M16x2) y las otras dos están Bloqueadas. Para más información, así como la configuración de los porticos, véase la tabla de modelos.
- Para aplicaciones de uso pesado –por ejemplo, una instalación cerca de una bomba de pistón– o para obtener asesoramiento sobre una instalación, póngase en contacto con el departamento de ventas.
- Los discos de rotura internos sirven para proteger el comprobador y no la instalación hidráulica. Asegúrese siempre de que se hayan instalado los dispositivos de seguridad apropiados para proteger la instalación.

Dimensiones: milímetros (pulgadas)

Modelo	A	B	C	D	E	F	G	Weight kg (lbs)
CT300R	49 (2")	100 (4")	182 (7-1/8")	222 (8-3/4")	102.5 (4")	47.6 (1-7/8")	138 (5-1/2")	3.7 (8.1)
CT400R	49 (2")	100 (4")	182 (7-1/8")	222 (8-3/4")	102.5 (4")	47.6 (1-7/8")	138 (5-1/2")	3.7 (8.1)
CT600R	75 (3")	125 (5")	211 (8-3/8")	235 (9-3/4")	99 (3-7/8")	63 (2-1/2")	157 (6-1/8")	7.5 (16.5)
CT750R	75 (3")	125 (5")	211 (8-3/8")	235 (9-3/4")	99 (3-7/8")	63 (2-1/2")	157 (6-1/8")	7.5 (16.5)
CT800R	75 (3")	125 (5")	211 (8-3/8")	235 (9-3/4")	99 (3-7/8")	63 (2-1/2")	157 (6-1/8")	7.5 (16.5)

Añadir 20 mm (3/4 pulg.) a G para obtener la altura total, incluidas las patas. La versión SR es 9 mm (3/8 pulg.) más corta en las dimensiones G

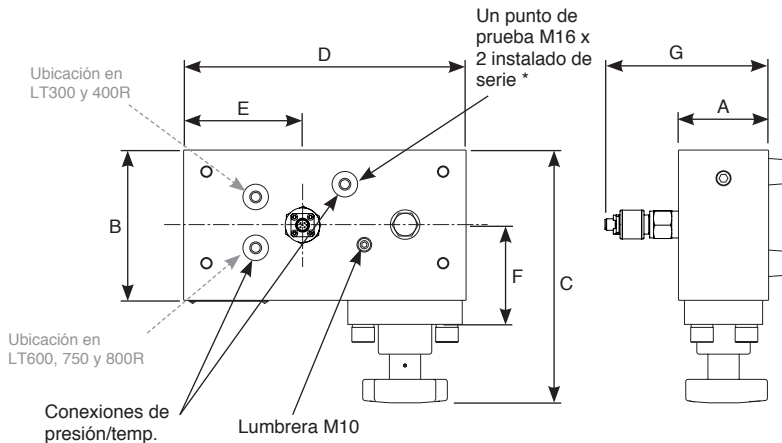


* Puerto conectado mediante válvula de vaivén para garantizar que se mida la presión máxima en cualquiera de los sentidos del flujo.

Dimensiones: milímetros (pulgadas)

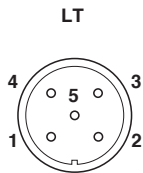
Modelo	A	B	C	D	E	F	G	Peso kg (libras)
LT300R	49 (2")	100 (4")	182 (7-1/8")	222 (8-3/4")	102.5 (4")	47.6 (1-7/8")	150 (6")	3.7 (8.1)
LT400R	49 (2")	100 (4")	182 (7-1/8")	222 (8-3/4")	102.5 (4")	47.6 (1-7/8")	150 (6")	3.7 (8.1)
LT600R	75 (3")	125 (5")	211 (8-3/8")	235 (9-3/4")	99 (3-7/8")	63 (2-1/2")	169 (6-5/8")	7.5 (16.5)
LT800R	75 (3")	125 (5")	211 (8-3/8")	235 (9-3/4")	99 (3-7/8")	63 (2-1/2")	169 (6-5/8")	7.5 (16.5)

Añadir 20mm (3/4") a G para obtener la altura total, patas incluidas.

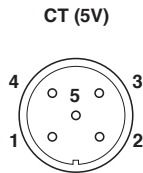


* Lumbrera conectada mediante válvula de vaivén para garantizar que se mida la presión máxima cualquiera que sea el sentido de flujo.

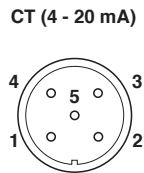
Detalles de las conexiones de las series CTR/LTR



- Pines**
- 1 = Freq +ve
 - 2 = Freq -ve
 - 3 = Temp
 - 4 = Temp
 - 5 = N/C

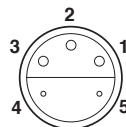


- Pines**
- 1 = Entrada +
 - 2 = N/C
 - 3 = Salida 0-5 V
 - 4 = N/C
 - 5 = Tierra



- Pines**
- 1 = Entrada +
 - 2 = N/C
 - 3 = Salida 4-20 mA
 - 4 = N/C
 - 5 = Tierra

Reconocimiento de sensor (3 V)



- Pines**
- 1 = Salida V
 - 2 = N/C
 - 3 = Entrada +
 - 4 = Tierra
 - 5 = Reconocimiento de sensor

Nota: N/C = No conectar

Cable de conexión (5m)	FT10228-05
Cable de prolongación (5m)	FT10229-05
Conector (M12x1)	FT9880

FT9788
FT9789
N/A

Nota: Para los CTR (5V) y CTR (4-20mA) usar cable apantallado con tres conductores. Conectar la pantalla a la carcasa del transductor.

Tabla de modelos

Modelo	Lumbreras principales	Lumbreras superiores*	Caudal	Presión máx.
CT300R**-B-B-6	1" BSPP	1/4" BSPP	8 - 300 lpm	420 bar
CT300R**-S-S-6	1-5/16" -12UN #16 SAE ORB	7/16" -20UN #4 SAE ORB	2 - 80 US gpm	6000 psi
CT400R**-B-B-6	1" BSPP	1/4" BSPP	10 - 400 lpm	420 bar
CT400R**-S-S-6	1-5/16" -12UN #16 SAE ORB	7/16" -20UN #4 SAE ORB	2.5 - 100 US gpm	6000 psi
CT600R**-F-B-3	1-1/2" #24 SAE Code 61 4-bolt flange	1/4" BSPP	20 - 600 lpm	210 bar
CT600R**-F-S-3	1-1/2" #24 SAE Code 61 4-bolt flange	7/16" -20UN #4 SAE ORB	5 - 160 US gpm	3000 psi
CT600R**-S-B-7	1-7/8" -12UN #24 SAE ORB	1/4" BSPP	15 - 600 lpm	480 bar
CT600R**-S-S-7	1-7/8" -12UN #24 SAE ORB	7/16" -20UN #4 SAE ORB	4 - 160 US gpm	7000 psi
CT750R-SR-F-B-3	1-1/2" #24 SAE Code 61 4-bolt flange	1/4" BSPP	20 - 750 lpm	210 bar
CT750R-SR-F-S-3	1-1/2" #24 SAE Code 61 4-bolt flange	7/16" -20UN #4 SAE ORB	5 - 200 US gpm	3000 psi
CT750R-SR-S-B-7	1-7/8" -12UN #24 SAE ORB	1/4" BSPP	20 - 750 lpm	480 bar
CT750R-SR-S-S-7	1-7/8" -12UN #24 SAE ORB	7/16" -20UN #4 SAE ORB	5 - 200 US gpm	7000 psi
CT800R**-F-B-3	1-1/2" #24 SAE Code 61 4-bolt flange	1/4" BSPP	20 - 600 lpm	210 bar
CT800R**-S-B-7	1-7/8" -12UN #24 SAE ORB	1/4" BSPP	20 - 800 lpm	480 bar
CT800R**-F-S-3	1-1/2" #24 SAE Code 61 4-bolt flange	7/16" -20UN #4 SAE ORB	5 - 210 US gpm	3000 psi
CT800R**-S-S-7	1-7/8" -12UN #24 SAE ORB	7/16" -20UN #4 SAE ORB	5 - 210 US gpm	7000 psi

En los modelos CT600, 750 y 800, con caudales inferiores a 86 l/min (23 gpm EE. UU.), la regulación de presión es limitada. La máxima presión regulable en esta región se calcula de la forma siguiente: presión máx. (bar) = 5 x caudal (l/min) +30.

Modelo	Lumbreras principales	Lumbreras superiores	Caudal	Presión máx.
LT300R-FM-B-B-6	1" BSPP	1/4" BSPP	8 - 300 lpm	420 bar
LT300R-FM-S-S-6	1-5/16" -12UN #16 SAE ORB	7/16" -20UN #4 SAE ORB	2 - 80 US gpm	6000 psi
LT400R-FM-B-B-6	1" BSPP	1/4" BSPP	10 - 400 lpm	420 bar
LT400R-FM-S-S-6	1-5/16" -12UN #16 SAE ORB	7/16" -20UN #4 SAE ORB	2.5 - 100 US gpm	6000 psi
LT600R-FM-S-B-7	1-7/8" -12UN #24 SAE ORB	1/4" BSPP	20 - 600 lpm*	480 bar
LT600R-FM-S-S-7	1-7/8" -12UN #24 SAE ORB	7/16" -20UN #4 SAE ORB	5 - 160 US gpm*	7000 psi
LT600R-FM-F-B-3	1-1/2" #24 SAE Brida código 61, 4 tornillos	1/4" BSPP	20 - 600 lpm*	210 bar
LT600R-FM-F-S-3	1-1/2" #24 SAE Brida código 61, 4 tornillos	7/16" -20UN #4 SAE ORB	5 - 160 US gpm*	3000 psi
LT800R-FM-S-B-7	1-7/8" -12UN #24 SAE ORB	1/4" BSPP	20 - 800 lpm*	480 bar
LT800R-FM-S-S-7	1-7/8" -12UN #24 SAE ORB	7/16" -20UN #4 SAE ORB	5 - 210 US gpm*	7000 psi

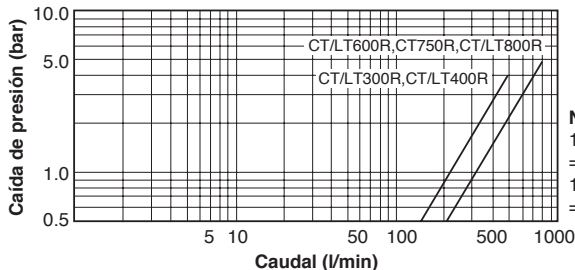
* En los modelos LT600R y LT800R, con caudales inferiores a 86 l/min (23 gpm EE. UU.) la regulación de presión es limitada. La máxima presión regulable en esta región se calcula de la forma siguiente: presión máx. (bar) = 5 x caudal (l/min) +30

Información técnica

Todos los caudalímetros están calibrados de serie a 21 cSt. También ofrecemos calibraciones especiales para un intervalo de caudales a medida o para una viscosidad diferente. Para cualquier consulta sobre su aplicación concreta, póngase en contacto con nuestro departamento de ventas.

Gráfico de caída de presión

Viscosidad del aceite hidráulico 21 centistokes (válvula de carga completamente abierta)



Nota

- 1 galón del Reino Unido = 4,546 litros
- 1 galón de EE. UU. = 3,785 litros

Viscosidad del fluido

El rendimiento de un caudalímetro de turbina puede verse afectado por la viscosidad del fluido medido. Nuestros caudalímetros de turbina están calibrados de serie entre 18 y 26 cSt (una viscosidad media de 21 cSt), que es la viscosidad cinemática típica para un fluido hidráulico que funciona a una temperatura de 50° C. La viscosidad cinemática de todo fluido hidráulico está relacionada con la temperatura del fluido. La tabla siguiente muestra el efecto de la temperatura sobre la viscosidad cinemática de diversos grados de aceite hidráulico.

El área sombreada de la tabla muestra el intervalo de viscosidades que pueden medirse con un caudalímetro de calibración estándar con mínimo efecto sobre la exactitud (menos de $\pm 1\%$ a fondo de escala).

Los caudalímetros pueden calibrarse especialmente para una viscosidad diferente a la estándar o podemos asesorar sobre el error esperado cuando el caudalímetro se utiliza con otras viscosidades. Para más información póngase en contacto con el departamento de ventas.

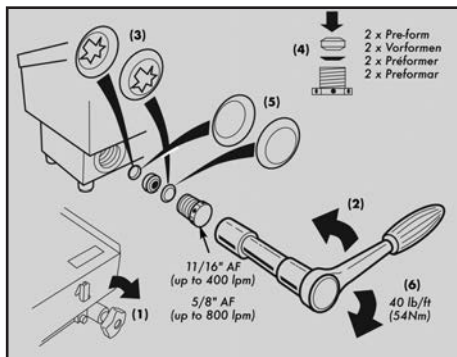
Tabla de viscosidades cinemáticas (cSt) de distintos aceites minerales a temperaturas específicas

Temp °C	Tipo de fluido					
	ISO15	ISO22	ISO32	ISO37	ISO46	ISO68
0	85.9	165.6	309.3	449.9	527.6	894.3
10	49.0	87.0	150.8	204.7	244.9	393.3
20	30.4	50.5	82.2	105.5	127.9	196.1
30	20.1	31.6	48.8	59.8	73.1	107.7
40	14.0	21.0	31.0	36.6	44.9	63.9
50	10.2	14.7	20.8	23.9	29.4	40.5
60	7.7	10.7	14.7	16.5	20.2	27.2
70	6.0	8.1	10.9	12.0	14.6	19.2
80	4.8	6.4	8.4	9.1	11.1	14.3
90	4.0	5.2	6.6	7.2	8.7	11.1
100	3.3	4.3	5.5	6.0	7.1	8.9

ISO 15, 22, 32, 46 y 68: basados en las cifras típicas de la gama Esso Nuto de aceites hidráulicos minerales. ISO 37: basado en el aceite hidráulico mineral Shell Tellus.

Mantenimiento y revisión

Sustitución de discos rotos. Este procedimiento debe ser realizado únicamente por parte de personal debidamente capacitado.



Esquema de sustitución de discos rotos. Nota: se muestra el comprobador DHM. El procedimiento para el modelo LTR es igual.

- Coloque el primer disco en la válvula.
- Coloque el espaciador.
- Coloque el segundo disco encima del espaciador.
- Enrosque el portadiscos y apriételo a 54 Nm (40 lb.ft).
- Desenrosque completamente la válvula de carga.

Calibración

El intervalo recomendado entre calibraciones es de 12 meses. El intervalo máximo entre calibraciones es de 36 meses. La exactitud del aparato puede verse afectada por el ciclo de funcionamiento, el estado del fluido o intervalos prolongados entre recalibraciones.

Accesorios

Webtec y sus distribuidores locales ofrecen una amplia gama de accesorios, entre ellos: transductores de presión (gama MPT), adaptadores para sensores de alta temperatura y presión (gama TP125), cables y pantallas remotas (gama DP130).

La válvula de carga contiene discos de seguridad reemplazables que descargan la presión si llega esta a unos 7 bar (100 psi) por encima de la presión máxima, desviando el aceite por vía interna.

Sustitución de los discos de seguridad

- Desconecte el aparato del circuito hidráulico y desmonte todo accesorio de la lumbre de salida.
- Localice los discos nuevos (el aparato se entrega con discos de repuesto guardados en el bloque).
- Enrosque la válvula de carga (en el sentido de las agujas del reloj) hasta cerrarla completamente.
- Desenrosque el portadiscos de seguridad de la válvula.
- Extraiga el espaciador de discos y los discos rotos de la válvula y del portadiscos.
- Dé forma con cuidado a los dos discos nuevos presionándolos a mano entre el portadiscos y el espaciador.

Manufacturer's Limited Warranty

Webtec Products Ltd. warrants to the original purchaser, for the period of one year from the date of purchase, that the product is free from defect in materials and workmanship. This warranty does not cover any part of the product that has been damaged due to abuse or operation beyond the specifications stated by Webtec Products Ltd. in the associated literature. Webtec Products Ltd. sole obligation under the warranty is limited to the repair or the replacement of parts, at no charge, found to be defective after inspection by Webtec Products Ltd. or one of its divisions. Repair or replacement of parts will be at Webtec Products Ltd. discretion. Authorisation from Webtec Products Ltd. is required before any product can be returned under warranty. Cost of shipping and handling is covered during the first 12 months from the date of purchase. Webtec Products Ltd. is not liable for any consequential damages or any contingent liabilities arising out of the failure of the product, component part or accessory. The above warranty supersedes and is in place of all other warranties, either expressed or implied and all other obligation or liabilities. No agent, or representative or distributor has any authority to alter the terms of this warranty in any way.

Begrenzte Garantie des Herstellers

Webtec Products Ltd. garantiert an den Erstkäufer, über einen Zeitraum von einem Jahr ab Verkaufsdatum, dass das Produkt frei von Fehlern in Material und Verarbeitung ist. Diese Garantie erstreckt sich nicht auf Teile des Produkts, welche durch Missbrauch, fehlerhafter Bedienung oder Bedienung über die Grenzen der Spezifikationen (wie von Webtec Products Ltd in der Literatur angegeben) hinaus, entstanden sind. Die einzige Verpflichtung von Webtec Products Ltd. unter dieser Garantie, ist beschränkt auf die kostenlose Reparatur oder den Ersatz von Teilen, welche für defekt befunden wurden, nach einer Inspektion von Webtec Products Ltd, oder einer ihrer Divisionen. Reparatur oder Ersatz von Teilen erfolgt nach Ermessen von Webtec Products Ltd. Eine Ermächtigung durch Webtec Products Ltd ist notwendig, bevor ein Produkt unter Garantie retourniert werden darf. Versand-und Bearbeitungsgebühren sind, während den ersten 12 Monaten ab Verkaufsdatum, gedeckt. Nach 12 Monaten ab Verkaufsdatum sind Versand und Bearbeitungsgebühren nicht durch die Garantie gedeckt. Webtec Products Ltd. ist nicht haftbar für Folgeschäden oder Folgekosten, welche durch einen Ausfall oder einer Fehlfunktion des Produkts, Zubehörs, Teile davon oder Komponententeile entstehen können. Obige Garantie ersetzt und ist anstelle aller anderen Garantien, welche angeführt oder angedeutet wurden und anstelle aller anderen Verpflichtungen und Verbindlichkeiten. Kein Wiederverkäufer, Agent oder Distributor hat ein Recht die Konditionen dieser Garantie in irgendeiner Weise zu ändern.

Garantie limitée du fabricant

Webtec Products Ltd. garantit à l'acheteur original, pendant un an à compter de la date d'achat, que le produit est libre de tout défaut dans les matériaux ou défaut de fabrication. La présente garantie ne couvre aucune partie du produit ayant été endommagée suite à tout usage abusif ou non conforme aux spécifications formulées par Webtec Products Ltd. dans la documentation associée. La seule obligation de Webtec Products Ltd. aux termes de la garantie est limitée à la réparation ou au remplacement, à titre gratuit, des pièces défectueuses après inspection par Webtec Products Ltd. ou l'une de ses divisions. La réparation ou le remplacement des pièces est décidé à la discrétion de Webtec Products Ltd. Une autorisation de Webtec Products Ltd. est requise avant qu'un produit puisse être retourné sous garantie. Les frais d'expédition et de manutention sont couverts pendant les 12 premiers mois à compter de la date d'achat. Webtec Products Ltd. n'est pas tenue pour responsable de tous dommages indirects et dénie toute responsabilité contingente qui résulterait de toute panne du produit, de ses composantes ou de ses accessoires. La garantie annule et remplace toutes les autres garanties, explicites ou implicites, et toute autre obligation ou responsabilité. Aucun agent, représentant ou distributeur n'est autorisé à modifier de quelque façon que ce soit les conditions de la présente garantie.

Garantía limitada del fabricante

Webtec Products Ltd. garantiza al comprador original, por un periodo de un año a partir de la fecha de compra, que el producto carece de defectos de materiales y mano de obra. Esta garantía no cubre ninguna pieza del producto que se haya dañado debido a abuso u operación fuera de las especificaciones indicadas por Webtec Products Ltd. en los folletos relacionados. La única obligación de Webtec Products Ltd. de acuerdo a esta garantía se limita a la reparación o sustitución de piezas, sin cargo alguno, que se hallen defectuosas tras inspección por parte de Webtec Products Ltd. o una de sus divisiones. La decisión de reparar o sustituir piezas será a discreción de Webtec Products Ltd. Antes de que se pueda devolver bajo garantía cualquier producto se requerirá autorización de Webtec Products Ltd. Está cubierto el coste de transporte y manipulación durante los primeros 12 meses a partir de la fecha de compra. Webtec Products Ltd. no es responsable de ningún daño consecuencial ni de pasivos contingentes que se ocasionen debido al fallo del producto, de una pieza componente o de un accesorio. Esta garantía anula y sustituye cualquier otra garantía, bien explícita o implícita, y cualesquiera otras obligaciones o responsabilidades. Ningún agente, representante o distribuidor posee autoridad para modificar las condiciones de esta garantía de ninguna forma.

For Sales & Service contact
Auskunft & Beratung
Contact Service commercial & maintenance
Para más información sobre ventas y servicios contactar con



St. Ives, Cambs, PE27 3LZ, UK
Tel: +44 (0) 1480 397 400 - sales-uk@webtec.com

中国

Tel: +86-21-61498441 - sales-cn@webtec.com

France

Tel: +33 (0) 3 27 82 94 56 - ventes-fr@webtec.com

Deutschland

Tel: +49 (0)231-9759-747 - vertrieb-de@webtec.com

U.S.A & Mexico

Tel: +1-800-932-8378 - sales-us@webtec.com

www.webtec.com

Webtec reserve the right to make improvements and changes to the specification without notice.
Webtec behält sich das Recht vor, Verbesserungen oder Änderungen der Spezifikationen ohne Ankündigung vorzunehmen.

Webtec se réserve le droit d'améliorer et de changer ses spécifications sans préavis.

Webtec se reserva el derecho de realizar mejoras y cambios a las especificaciones sin previo aviso.



Certificate No.8242