

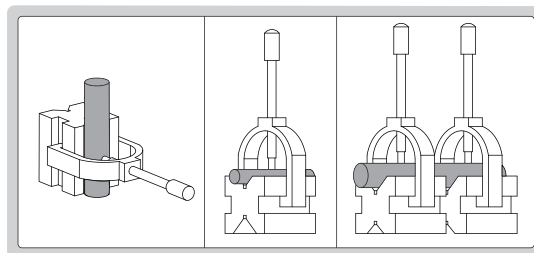
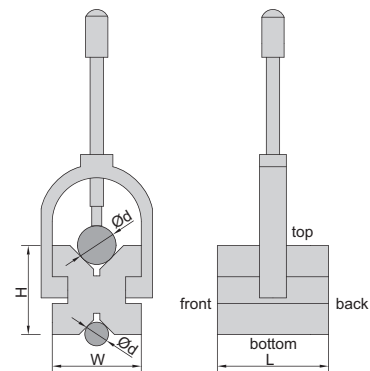
V-BLOCK SET



6896-10

6896-11

- Hold cylindrical workpieces for inspection and machining
- Two V-blocks per set
- Hardened to HRC60±2
- V groove on the top for large shafts
- V groove on the bottom for small shafts (except 6896-10)



| Code | Size (LxWxH) | Range of shafts ($\varnothing d$) | Parallelism of V grooves to top and bottom sides | Squareness of V grooves to front and back sides | Height difference of a matched pair |
|---------|--------------|-------------------------------------|--|---|-------------------------------------|
| 6896-10 | 25x20x20mm | 3-20mm | 3 μ m | 3 μ m | 3 μ m |
| 6896-11 | 50x40x40mm | 5-30mm | 5 μ m | 5 μ m | 5 μ m |
| 6896-12 | 80x63x63mm | 7-63mm | 5 μ m | 5 μ m | 5 μ m |
| 6896-13 | 100x80x80mm | 7-80mm | 5 μ m | 5 μ m | 5 μ m |
| 6896-14 | 140x70x140mm | 9-140mm | 5 μ m | 5 μ m | 5 μ m |