

NEW

High Voltage Power Supply

EP series

EP-2P2 +2kV, 2mA

EP-2N2 -2kV, 2mA

EP-5P1 +5kV, 1mA

EP-5N1 -5kV, 1mA

Most compact design in its class

Power supplies for preamplifier are integrated (± 15 V, ± 5 V output)

Ultra low ripple noise of as low as 15 mVp-p



EP series

2 kV, 5 kV



High Voltage Power Supply

EP series is high performance high voltage power supply for PMT, Electron multiplier application. Ultra compact size of just 8.35-inch(212 mm) width integrated HV power supply and power supply for preamplifier ± 15 V and ± 5 V. The ultra low ripple noise of as low as 15 mVp-p(HV output part) is suitable for PMT and various other applications. In addition, various digital control is also possible by selecting the -LGob option.

FEATURES

- Power supplies for preamplifier are integrated (± 15 V, ± 5 V output)
- Low ripple 15 mVp-p(2 kV models HV output part)
- Ultra compact design of the best in its class
- Large and noticeable 4-digit digital meter
- Full protections

LINEUP

MODEL	Output voltage	Output current	Ripple
EP-2P2	0 to +2 kV	2 mA	15 mVp-p
EP-2N2	0 to -2 kV	2 mA	15 mVp-p
EP-5P1	0 to +5 kV	1 mA	50 mVp-p
EP-5N1	0 to -5 kV	1 mA	50 mVp-p

SPECIFICATIONS

Input voltage / current	100~240 VAC $\pm 10\%$ 50 / 60 Hz single phase 0.5 A@100 VAC	Protection	Over voltage protection Output voltage cut off at approx. 105 % of rated output
Output voltage control	Front panel rotary encoder		Over current protection Output current cut off at approx. 105 % of rated output
Regulation	Line : 0.005 % of maximum output for $\pm 10\%$ input line change Load : 0.02 % of maximum output for 10 to 100 % load change	Output connector	SHV type receptacle
Stability	0.01 % / Hr	Operation temp.	0 to +40 °C
Temperature coef.	70 ppm / °C	Storage temp.	-20 °C to +60 °C
Output display	Output voltage : 4-digit digital meter (accuracy : 0.5 %F.S. ± 1 dgt) Output current : 4-digit digital meter (accuracy : 0.5 %F.S. ± 1 dgt)	Humidity	20 % to 80 %RH(no condensation)
		Accessories	AC input cable three phase 2.5 m length(1) Shielded HV output cable 2.5 m length(1) Instruction manual(1)

SPECIFICATION FOR LOW VOLTAGE POWER SUPPLIES

	± 5 V output	± 15 V output
Output voltage	± 5 V $\pm 5\%$	± 15 V $\pm 5\%$
Output current	500 mA	200 mA
Ripple	3 mVp-p	3 mVp-p
Regulation (for $\pm 10\%$ input line change)	$\pm 0.1\%$	$\pm 0.1\%$
Regulation (for $\pm 10\%$ to 100 % load change)	$\pm 1\%$	$\pm 0.5\%$
Stability	$\pm 0.05\%$ / Hr	$\pm 0.05\%$ / Hr
Temperature coef.	100 ppm / °C	50 ppm / °C

INPUT CABLE

CABLE TYPE 1 (Standard)	CABLE TYPE 3 (Separate) (for the input of 200 V)	CABLE TYPE 4 (Separate) (for the input of 200 V)
125 V / 10 A	250 V / 10 A	250 V / 10 A

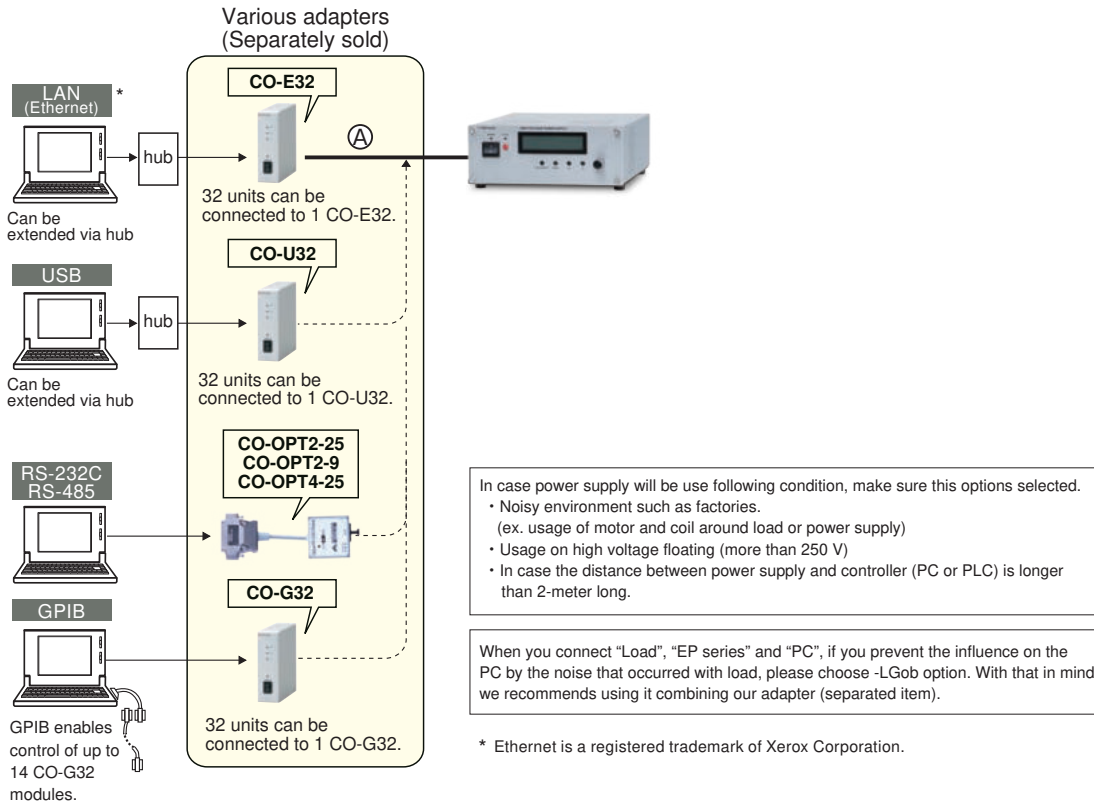
OPTION

-LJob : Optical Interface Board

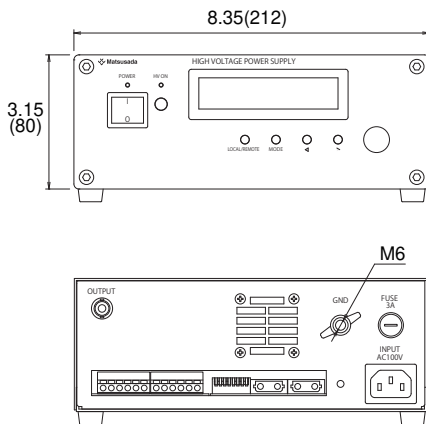
- LJob : Optical Interface Board + 2 meters long optical cable
- LJob(Fc5) : Optical Interface Board + 5 meters long optical cable
- LJob(Fc10) : Optical Interface Board + 10 meters long optical cable

- LJob(Fc20) : Optical Interface Board + 20 meters long optical cable
- LJob(Fc40) : Optical Interface Board + 40 meters long optical cable

It is isolated by optical communication. It makes it possible to prevent malfunction caused by transient phenomenon such as surge, lightning, induction, and external noise due to perfectly isolated by optical fiber.



DIMENSIONS inch(mm)



	D
+2kV, -2kV output model	10.66 (270.8)
+5kV, -5kV output model	12.83 (325.8)

