

**TH9310/20 Series**  
**AC/DC Withstanding Voltage/ Insulation**  
**Resistance Tester**

**Operation Manual**

Tonghui Electronic Co.,Ltd.

[www.tonghui.com.cn](http://www.tonghui.com.cn)

# Manual Printing History

The manual printing data and part number indicate its current edition. The printing date changes when a new edition is printed. The manual part number changes when extensive technical changes are incorporated.

**TH9310/20 Series Operation Manual Ver1.6.....2018.7**

# Content

|  |          |
|--|----------|
| <b>Chapter 1 Setup</b> .....   | <b>6</b> |
| 1.1 Precautions for Use .....  | 6        |
| 1.2 Precautions for Moving.....  | 7        |
| 1.3 Connecting the AC Power Cord .....                                 | 7        |
| 1.4 Grounding .....  | 7        |
| 1.5 Checking Operations.....   | 7        |
| 1.6 Other Specifications.....  | 8        |
| <b>Chapter 2 Precautions on Handling</b> .....                         | <b>9</b> |
| 2.1 Prohibited Operations .....  | 9        |
| 2.2 Action When in Emergency.....                                      | 9        |
| 2.3 Precautions on Testing .....                                       | 10       |
| 2.4 Warning for Residual High Voltages.....                            | 10       |
| 2.5 Dangerous States of Failed Tester .....                            | 11       |
| 2.6 To Ensure Long-Term Use without Failures .....                     | 12       |
| 2.7 Daily Checking .....   | 12       |
| 3.1 Front Panel.....   | 13       |
| 3.1.1 POWER .....  | 13       |
| 3.1.2 START and STOP .....   | 13       |
| 3.1.3 Band and Model.....  | 13       |
| 3.1.4 USB Interface .....  | 13       |
| 3.1.5 Indicator.....   | 13       |
| 3.1.6 FUNCTION .....   | 14       |
| 3.1.7 HV.....  | 14       |
| 3.1.8 Output voltage HIGH terminal (HV) .....                          | 14       |
| 3.1.9 Test low terminal, test current return terminal (LOW/RET).....   | 14       |
| 3.1.10 Move key .....  | 14       |
| 3.1.11 Shortcut key .....  | 14       |
| 3.1.12 COPY key .....  | 14       |
| 3.1.13 LCD screen .....  | 14       |
| 3.2 Instruction of rear panel.....                                     | 14       |
| 3.2.1 Fan .....  | 15       |
| 3.2.2 Test low terminal, test current return terminal (optional) ..... | 15       |
| 3.2.3 High voltage output terminal (optional).....                     | 15       |
| 3.2.4 Power jack: with fuse holder, switchable line voltage mode ..... | 15       |
| 3.2.5 Protective earth terminal .....                                  | 15       |
| 3.2.6 Mark.....  | 15       |
| 3.2.7 RS232C serial interface .....                                    | 16       |
| 3.2.8 USB serial communication interface .....                         | 16       |
| 3.2.9 HANDLER interface .....  | 16       |
| 3.2.10 SIGNAL interface .....  | 16       |
| 3.3 Multichannel module declaration .....                              | 16       |
| 3.4 Description.....   | 17       |

|  |           |
|--|-----------|
| <b>Chapter 4 Basic operation</b> .....   | <b>22</b> |
| 4.1 Interface structure overview .....   | 22        |
| 4.2 Instruction of panel function interface and parameter .....                                  | 23        |
| 4.2.1 SETUP .....  | 24        |
| 4.2.2 TEST (Take AC for example) .....   | 25        |
| 4.2.3 SYSTEM.....  | 25        |
| 4.2.4 FILE .....   | 27        |
| 4.3 Test item interface and parameter setup .....  | 29        |
| 4.3.1 AC withstanding voltage test parameter setup: .....  | 29        |
| 4.3.2 DC withstanding voltage test parameter setup :.....  | 30        |
| 4.3.4 Open and short detection (OS) parameter setup: .....                                       | 31        |
| 4.3.5 MF (multi-channel follow) .....  | 32        |
| 4.3.6 CK (multi-channel contact check) .....   | 33        |
| 4.4 Test function theory and instruction .....   | 34        |
| 4.4.1 Start up test .....  | 35        |
| 4.4.2 Test delay .....   | 35        |
| 4.4.3 Test voltage rise .....  | 35        |
| 4.4.4 DC RAMP.....   | 35        |
| 4.4.5 High-voltage test.....   | 35        |
| 4.4.6 Voltage fall.....  | 35        |
| 4.4.7 Ground wire current detection function.....  | 35        |
| 4.4.8 Current over limit and arc detection (ARC) function .....                                  | 36        |
| 4.4.9 Fail judgment .....  | 37        |
| 4.4.10 Deal with test results.....   | 37        |
| 4.4.11 STOP .....  | 37        |
| 4.4.12 OFFSET .....  | 37        |
| 4.5 SCAN multi-channel structure and use.....  | 38        |
| 4.5.1 SCAN parameter.....  | 38        |
| 4.5.2 Structure principle.....   | 38        |
| 4.6 Structure and Use of HANDLER and SIGNAL Interface Circuit.....                               | 39        |
| 4.6.1 Control interface theory .....   | 39        |
| 4.6.2 Control interface instruction .....  | 40        |
| 4.7 Other interface and function .....   | 41        |
| <b>Chapter 5 Serial port commands instruction</b> .....  | <b>42</b> |
| 5.1 SCPI commands.....   | 42        |
| 5.2 DISPlay Subsystem Commands .....   | 42        |
| 5.3 FUNCtion Subsystem Commands .....  | 43        |
| 5.3.1 FUNCtion subsystem commands--mainly used to set the test parameters of test function ..... | 43        |
| 5.3.2 Commands for PROG Function.....  | 43        |
| 5.3.3 Commands for AC Setup Function .....   | 44        |
| 5.3.4 Commands for DC Setup Function .....   | 47        |
| 5.3.5 Commands for IR Setup Function .....   | 49        |
| 5.3.6 Commands for OS Setup Function .....   | 51        |
| 5.4 SYSTem Subsystem Commands .....  | 52        |

|                                      |    |
|--------------------------------------|----|
| 5.5 MMEM Subsystem Commands .....    | 57 |
| 5.6 FETCH Subsystem Commands .....   | 57 |
| 5.7 Other Commands .....             | 58 |
| 5.8 Command debugging sequence ..... | 58 |

# Chapter 1 Setup

This chapter describes the procedures from unpacking to installation to operation checking.

## 1.1 Precautions for Use

Be sure to observe the following precautions when using the tester.

- **Do not use the tester in a flammable atmosphere.**

To prevent explosion or fire, do not use the tester near alcohol, thinner, or other combustible materials, or in an atmosphere containing such vapors.

- **Avoid locations where the tester is exposed to high temperatures or direct sunlight.**

Do not locate the tester near a heater or in areas subject to drastic temperature changes.

Operating temperature range: 5 °C to +35 °C

Storage temperature range: -20 °C to +60 °C

- **Avoid humid environments.**

Do not locate the tester in a high-humidity environment—near a boiler, humidifier or water supply.

Operating humidity range: 20% to 80% RH (no dew condensation permitted)

Storage humidity range: 90%RH or less (no dew condensation permitted)

Condensation may occur even within the operating humidity range. In that case, do not start using the tester until the location is completely dry.

- **Do not place the tester in a corrosive atmosphere.**

Do not install the tester in a corrosive atmosphere or one containing sulfuric acid mist or the like. This may cause corrosion of various conductors and imperfect contact with connectors, leading to malfunction and failure, or in the worst case, a fire.

- **Do not locate the tester in a dusty environment.**

Dirt and dust in the tester may cause electrical shock or fire.

- **Do not use the tester where ventilation is poor.**

This tester features a forced-air cooling system. Provide sufficient space for the air inlet on the lateral side and the air outlet on the rear side to allow air to flow.

- **Do not place the tester on a tilted surface or in a location subject to vibrations.**

If placed on a non-level surface or in a location subject to vibration, the tester may fall, resulting in damage and injury.

- **Do not use the tester in locations affected by strong magnetic or electric fields.**

Operation in a location subject to magnetic or electric fields may cause the tester to malfunction, resulting in electrical shock or fire.

- **Do not use the tester in locations near a sensitive measuring instrument or receiver.**

Operation in a location subject, may cause such equipment may be affected by noise generated by the tester.

At a test voltage exceeding 3 kV, corona discharge may be generated to produce substantial amounts of RF broadband emissions between grips on the test leadwire. To minimize this effect, secure a sufficient distance between alligator clips. In addition, keep the alligator clips and test leadwire away from the surfaces of conductors (particularly sharp metal ends).

## 1.2 Precautions for Moving

When moving the tester to the installation site or otherwise transporting it, take the following precautions:

- **Before moving the tester, turn off the power switch.**

Transporting the tester with its POWER switch on can lead to electric shock and damage.

- **When moving the tester, Disconnect all wires from it.**

Moving the tester without disconnecting the cables may result in breakage of the wire or injury due to the tester tipping over.

## 1.3 Connecting the AC Power Cord

The power cord that is provided varies depending on the destination for the product at the factory-shipment. Do not use AC power cords that are not standard with this instrument.

**Connection procedure:**

1. Confirm that the supply voltage is within the line voltage range of the tester.
2. Confirm the nominal value of the fuse and the line power are correctly selected.
3. Confirm that the POWER switch on the tester is off.
4. Connect the AC power cord to the AC LINE connector on the rear panel.
5. Use the provided power code or power code that is selected by qualified personnel.
6. Plug in the AC power cord.

## 1.4 Grounding

**⚠ WARNING:** Be sure to connect the tester to an electrical ground (safety ground). If the output to a conveyer or peripheral device that is connected to an earth ground or a nearby commercial power line is short-circuited without grounding, the tester chassis is charged to an excessively high voltage, resulting in extreme danger.

This tester is designed as a Class II equipment (equipment protected against electric shock with protective grounding in addition to basic insulation). Therefore, electric shock may occur without proper grounding.

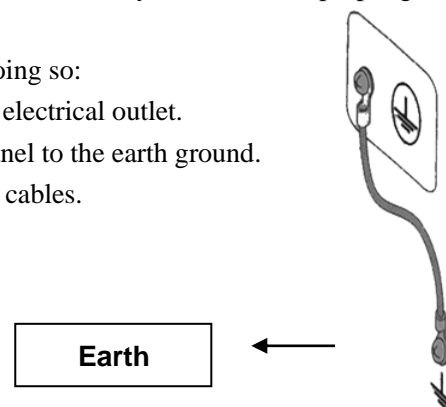
**To ensure safety, be sure to ground the tester.**

Choose either of the following two available methods of doing so:

1. Connect the AC power cord to a three-contact grounded electrical outlet.
2. Connect the protective conductor terminal on the rear panel to the earth ground.

Have specialized engineers select, manufacture, and install cables.

To ensure secure connection, use proper tools.



## 1.5 Checking Operations

**⚠ WARNING:** Use the interlock jumper only to quickly cancel the protection status.

When using this tester in a cramped working space, make a box-like structure for the DUT; when testing a complicated large-scale DUT, provide a cover or other means for the DUT to prevent electric shock by cutting off the output when the cover is opened. It is also recommended that an enclosure be provided around the operating area and that output be cut off every time the door is opened.

Before turning on the power, confirm that the allowable voltage range indicated on the power supply is the

same as that indicated on the rear panel of the tester.

When the power is turned on, the tester lights all LEDs on the front panel and self-diagnosis is started.

Before starting up the tester, confirm that all LEDs are on to ensure safety.

It is particularly dangerous to start a test when the DANGER lamp is broken.

Note that, in self-diagnosis, even when the **DANGER** lamp is lighting, no output or voltage is being generated.

**⚠ CAUTION:** After turning off the POWER switch, wait several seconds before turning it on. Turning the POWER switch on/off repeatedly with insufficient intervals may damage the tester.

#### **Checking procedure:**

1. Confirm that the allowable voltage range indicated on the power supply is the same as the input voltage range set by the fuse holder.
2. Confirm that the AC power cord is properly connected to the AC LINE connector on the rear panel.
3. Plug in the AC power cord.
4. Turn on the POWER switch. Confirm that all LEDs on the front panel are lit. Following the opening screen, display the ACW screen.
5. Following the opening screen, display the ACW screen and confirm that the tester is kept in the READY status.
6. Turn on the POWER switch again.

## **1.6 Other Specifications**

1. Power:  $\leq 500\text{VA}$  (TH9320)  
 $\leq 400\text{VA}$  (TH9310)
2. Dimensions(W\*H\*D): 280mm\*88mm\*420mm;
3. Weight: approx. 15kg (TH9320); approx. 13kg (TH9310).
4. Multi-channel module: 280mm\*50mm\*420mm; approx.5kg

| Input voltage | Frequency range | Fuse   | Model  | Rated power |
|---------------|-----------------|--------|--------|-------------|
| 110V          | 47-63Hz         | 5A     | TH9320 | 400VA       |
|               |                 |        | TH9310 | 300VA       |
| 3A            |                 | TH9320 | 400VA  |             |
|               |                 | TH9310 | 300VA  |             |



# Chapter 2 Precautions on Handling

This chapter describes the precautions to be followed in the handling of this tester. When using the tester, take utmost care to ensure safety.

---

**⚠ WARNING :** The tester derives a 5 kV test voltage which can cause human injury or death. When operating the tester, be extremely careful and observe the cautions, warnings, and other instructions given in this chapter.

---

## 2.1 Prohibited Operations

- **Do not turn on/off the power repeatedly**

After turning OFF the power switch, be sure to allow several seconds or more before turning it ON again. Do not repeat turning ON/OFF the power switch rapidly. If you do this, the protectors of the tester may not be able to render their protective functions properly. Do not turn OFF the power switch when the tester is delivering its test voltage—you may do this only in case of emergency.

- **Do not short the output to the earth ground**

Pay attention so that the high test voltage line is not shorted to a nearby AC line or nearby devices (such as conveyors) which are connected to an earth ground. If it is shorted, the tester chassis can be charged up to the hazardous high voltage. Be sure to connect the protective grounding terminal of the tester to an earth line. If this has been securely done, even when the HIGH VOLTAGE terminal is shorted to the LOW terminal, the tester will not be damaged and its chassis will not be charged up to the high voltage.

Be sure to use a dedicated tool when grounding the protective grounding terminal.

---

**⚠ CAUTION:** The term "AC line" here means the line on which the tester is operating. That is the line to whose outlet the AC power cable of the tester is connected. It may be of a commercial AC power line or of a private-generator AC power line.

---

- **Do not apply an External Voltage**

Do not apply a voltage from any external device to the output terminals of the tester. The analog voltmeter on the front panel cannot be used as stand-alone voltmeter. They may be damaged if their output terminals are subject to an external voltage.

## 2.2 Action When in Emergency

In case of an emergency (such as electric shock hazard or burning of DUT), take the following actions.

You may do either (a) or (b) first. But be sure to do both.

1. Turn OFF the power switch of the tester.
2. Disconnect the AC power cord of the tester from the AC line receptacle.

## 2.3 Precautions on Testing

### ■ Wearing Insulation Gloves

When handling the tester, be sure to wear insulation gloves in order to protect yourself against high voltages. It is forbidden to touch the live conductor by hand during high voltage test even with high voltage insulation gloves.

### ■ Precautions for Pausing Tests

When you need to touch the test conductor or change the test connection, press the STOP switch first to ensure that the instrument exits the test preparation state. If you are not going to resume the test soon or if you are leaving the Test area, be sure to turn-OFF the POWER switch.

### ■ Items Charged Up to Dangerous High Voltages

When in test, the HV output, HV test leads, HV probes, DUT and output terminals and their vicinities can be charged up to dangerous high voltages. Never touch them when in test.

---

**⚠ WARNING:** The vinyl sheaths of the alligator clips of the test leadwires which are supplied accompanying the tester have no sufficient insulation for the high test voltages. Never touch them when in test.

---

### ■ Matters to be Sure of After Turning-OFF Power

If you have to touch the DUT, test leadwires, probes, and/or output terminals and their vicinities for re-connections or other reasons, be sure of the following two matters.

1. To confirm that the working condition is not in test mode.
2. The **DANGER** lamp has gone out.

### ■ Warnings for Remote Control

Be extremely careful when operating the tester in the remote control mode in which the dangerous high test voltage is ON/OFF-controlled remotely. The operator cannot know the real working condition of the instrument through the interface. **Please pay special attention to check the reliable connection of the remote control:**

1. The “**STOP**” switch must be connected reliably. Press the “**STOP**” switch before changing the DUT.
2. When testing in a working environment with a lot of people, remote control switch has the “**INTLOCK**” switch and HV lamp. Disconnect the “**INTLOCK**” switch before changing the DUT.

Provide means to assure that none can touch the DUT, test leadwires, probes, output terminals and their vicinities when the test voltage is being delivered.

## 2.4 Warning for Residual High Voltages

---

**⚠ WARNING:** In DC withstanding voltage testing and insulation resistance testing, the test lead wire, test

probe, and DUT are charged to a high voltage. The tester is equipped with a discharge circuit, but some time is nonetheless required to discharge them after the output is cut off. There is a danger of electric shock during discharge. To avoid electric shock, take the utmost care to ensure that the DUT, test lead wire, probe, and highly charged parts around the output terminal are not touched. If it is necessary to touch them, be sure to confirm the **DANGER** lamp has gone out.

As soon as the output is cut off, the tester's discharge circuit starts forced discharging. Do not disconnect the DUT during a test or prior to completion of discharging.

Under normal circumstances, it can be guaranteed that the test loop voltage is within the safe voltage range when finishing discharging. When the capacitance of the DUT is too large or the structure of the DUT is special, it may lead to incomplete discharge. In order to ensure complete discharge, test method must be changed by technical personnel.



#### **Discharge time:**

Computational formula of discharge time:  $t = -\ln(30/U) \times R \times C$

t: discharge time

30: discharge residue safety voltage 30V

U: test set voltage

R: discharge impedance of the DUT, the discharge impedance of the instrument is approx. 10k

C: capacitance of the DUT

In general, only DC high voltage test needs discharge and the length of the discharge time varies according to the properties of the DUT.

If the test terminated normally, the voltage will drop to zero according to the voltage fall time. If the test failed, discharge of the DUT is conducted by the transformer secondary winding (resistance of approximately 10k). Approximately 0.05s are required for 1uF capacitor with high voltage of 6000V to discharge to 30V. The fixed discharge time of the instrument is 0.2s, which ensures complete discharge of the device.

## **2.5 Dangerous States of Failed Tester**

Typical possible dangerous states of the tester are as shown below and in which cases the most dangerous situation that **“the high test voltage remains delivered and the instrument get out of control”** may occur. When this situation has occurred,

1. Immediately turn OFF the power switch and disconnect the AC power cable from the AC line receptacle.
2. Immediately keep far away from the instrument and confirm no risk of the test circuit by the technical personnel; or keep the instrument still for more than one hour and confirm no output voltage in the test terminal.
3. Remove the relevant connecting lines and send the instrument back to us for maintenance.

---

**⚠ WARNING:** Keep away from the instrument after turning off the power and prevent other people from approaching. Do not immediately disassemble the test circuit. Immediately call our distributor or agent. High voltage may remain in the interior of the instrument. It is hazardous for an unqualified person to attempt to troubleshoot any tester problem.

---

## 2.6 To Ensure Long-Term Use without Failures

The withstanding voltage-generating block of the tester is designed to release half the rated amount of heat, in consideration of the size, weight, cost, and other factors of the tester. The tester must therefore be used within the ranges specified below. If you deviate from these ranges, the output block may be heated to excess, activating the internal protection circuit. Should this happen, wait until the temperature returns to the normal level.

**Output requirements for withstanding voltage testing**

| Ambient temperature | Upper current |                                 | Pause Time   | Output time                |
|---------------------|---------------|---------------------------------|--|----------------------------|
| T≤40°C              | AC            | >12mA (TH9320)<br>>6mA (TH9310) | At least as long as the output time                    | Maximum of 1 minute        |
|                     |               | <8mA (TH9320)<br><4mA (TH9310)  | Not necessary  | Continuous output possible |
|                     | DC            | >6mA (TH9320)<br>>3mA (TH9310)  | At least as long as the output time                    | Maximum of 1 minute        |
|                     |               | <4mA (TH9320)<br><2mA (TH9310)  | At least as long as the charging wait time (WAIT TIME) | Continuous output possible |

Note: Test time ≤ **Output time** ≤ voltage rise time + test time + voltage fall time

**The use of the instrument must be suspended while the fan is working continuously for more than thirty minutes, otherwise the amplifier output module may be burned due to overheating.**

## 2.7 Daily Checking

To avoid accidents, confirm at least the following before starting operation:

1. The input source complies with the standard and the tester power configuration is correct.
2. The tester is connected to an earth ground.
3. The coating of the high-voltage test lead wire is free from cracks, fissures, and breakage.
4. Without connecting the test lines, the instrument can finish the test successfully when starting test by default.
5. The tester generates FAIL signal when the ends of the low-voltage test lead wire and high-voltage test lead wire are short-circuited.

# Chapter 3 Part names and Functions

This chapter describes the names and functions of components such as switches, displays, and connectors on the front and rear panels.

## 3.1 Front Panel

Figure 3-1 gives a brief description of the front panel for TH9310/20 series.

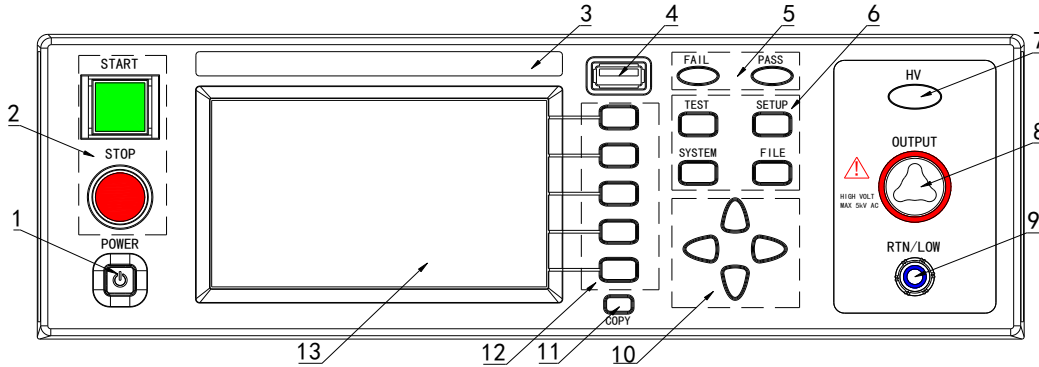


Figure 3-1

### 3.1.1 POWER

Power switch---Operators must make sure the power types and the test line connections are normal.

### 3.1.2 START and STOP

**START (square):** to start up the instrument, once test starts, “DANGER” indicator lights.

**STOP (circle):** Stop key, used to cancel the test, or PASS, FAIL status.

### 3.1.3 Band and Model

Band and model

### 3.1.4 USB Interface

Externally connect to USB storage.

### 3.1.5 Indicator

- **FAIL**

When the test data exceeds the set data in test, the instrument will lights in FAIL.

- **PASS**

When the test data does not exceed the set data after the test, the instrument will lights in PASS.

When time function is off (TIMER OFF), there is no PASS judge. The test can be finished only by pressing the ‘STOP’ key.

### 3.1.6 FUNCTION

Select mode, system and interface.

- **TEST**

Press the key and the corresponding key lights, the instrument is ready to test.

- **SETUP**

Press the key and the corresponding key lights, the instrument enters parameter setting;

- **SYSTEM**

Press the key and the corresponding key lights, the system setting interface will be displayed;

- **FILE**

Press the key and the corresponding key lights, the file operation interface will be displayed;

### 3.1.7 HV

**DANGER! !** It lights in test, indicating the test is underway.

### 3.1.8 Output voltage HIGH terminal (HV)

High voltage output of the high voltage test interface.

### 3.1.9 Test low terminal, test current return terminal (LOW/RET)

Voltage output terminal and current sampling terminal of the test.

### 3.1.10 Move key

It is used for moving cursor on the screen.

### 3.1.11 Shortcut key

F1-F5 --- corresponding to the functional operation area on the right side of the LCD for quick operation.

### 3.1.12 COPY key

COPY key can copy the screen pictures to the USB storage. The USB storage should be inserted into the USB jack on the front panel in advance.

### 3.1.13 LCD screen

480\*272 TFT dot- matrix LCD screen, display setting and test interface, etc.

## 3.2 Instruction of rear panel

Figure 3-2 gives a brief description of the rear panel for TH9310/20 series.

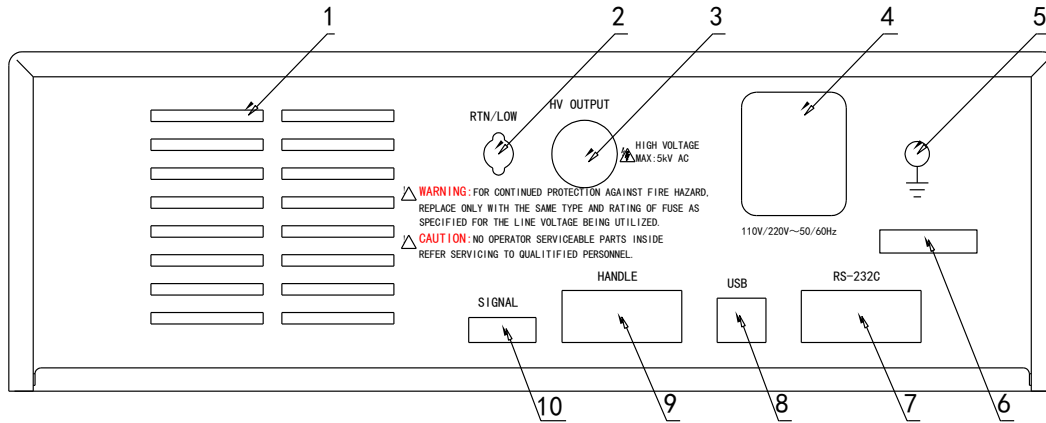


Figure 3-2

### 3.2.1 Fan

Power amplifier circuit radiator

### 3.2.2 Test low terminal, test current return terminal (optional)

Stand-by test low terminal of high voltage test interface

### 3.2.3 High voltage output terminal (optional)

Stand-by high voltage output terminal of high voltage test interface.

### 3.2.4 Power jack: with fuse holder, switchable line voltage mode

Be used to input AC power. Please use the voltage within the specified input voltage range and please use the attached power line with fuse. Change the fuse according to input power.

Please choose different installation position according to different input power type. Please pay attention to the visible identification on the outer shell of the fuse holder when installing.

**NOTE: The instrument supports 110 and 220 line voltage modes only. Other modes are not connected in the interior of the instrument.**

### 3.2.5 Protective earth terminal

Be used to connect instrument to ground.

**NOTE: The three-pin power jack of the instrument can not guarantee reliable connection to the ground. The protective earth terminal must be used to connect the instrument to grounding bar.**

### 3.2.6 Mark

This mark describes the serial number of the instrument.

### 3.2.7 RS232C serial interface

Serial communication, realize the communication with the computer.

### 3.2.8 USB serial communication interface

Realize the communication with the computer. Through this interface, the computer can control the instrument by using the control instruction set.

### 3.2.9 HANDLER interface

Compared to PLC interface, the HANDLER interface has no INTERLOCK function in interface signal. It is more convenient than PLC interface to use 9-core D-type jack to output. It is appropriate for the connection of general control circuit for multiple instruments.

- **TEST:** Output synchronized-signal control when high voltage output is started.
- **START:** Input the starting signal for starting high voltage output, corresponding to START signal on the front panel.
- **RESET:** Input the reset signal for stopping high voltage output, corresponding to STOP signal on the front panel.
- **PASS:** The output pass signal of the instrument, corresponding to PASS instruction on the front panel.
- **FAIL:** The output fail signal of the instrument, corresponding to FAIL instruction on the front panel.

### 3.2.10 SIGNAL interface

It is the interface for online protection and interior 24V power output.

- **INTERLOCK:**  
(Port: (5) INTERLOCK + -- (6) COM) valid in SHORT.  
It is the online locking signal of the instrument and short circuit jumper connection is used by default. If disconnect, starting output is not allowed.
- **DC 24V Power:**  
(Port: (COM (1, 2) 24V – (3, 4) GND)  
Output voltage is 18.5VAC rectified output, without voltage regulation function  
It is used for requirement of indicator light and other control power supply. It is recommended to use a total current smaller than 500mA.

## 3.3 Multichannel module declaration

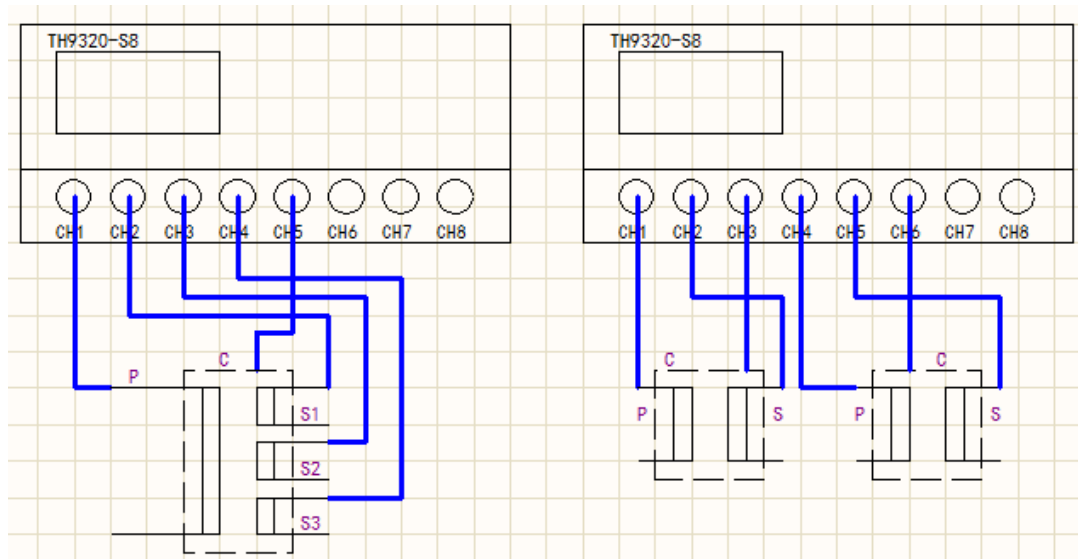
Multi-channel Output is an internal high-voltage switching module attached at the bottom of the instrument.

Through multi-channel output module, multiple test points of the components can be connected with multiple channels at a time. During testing, the instrument can be set to control the channel switch. Controllable testing can be achieved by connecting the corresponding port to withstand voltage test terminal.



With this multi-channel module, rapid connection can be achieved through test fixture without changing ports during the testing process.

The test connection diagram is as follows:



### 3.4 Description

TH9320: Provide 5kV AC/20mA withstanding voltage, 6kV DC/10mA withstanding voltage and insulation resistance test.

TH9310: Provide 5kV AC/10mA withstanding voltage, 6kV DC/5mA withstanding voltage and insulation resistance test.

TH9310B: Provide 5kV AC/10mA withstanding voltage test.

**The principle structure of the instrument:** In high voltage module, there is a DA standard, controllable forcing function generator, AB power amplifier, 40~600Hz high voltage boost transformer and output voltage closed-loop control.

DA standard: ensure controllable output voltage amplitude.

Controllable forcing function generator: In AC output, set the operation in 50 or 60Hz, not being limited by line voltage.

Linear power amplifier: low distortion of the voltage waveform with easy control and high reliability.

40~600Hz high voltage boost transformer: to DC and insulation resistance test, the test instrument uses 600Hz AC to form DC voltage to be the power, which can assure the DC power ripple is far less than the formal withstanding voltage tester.

Output voltage closed-loop control: ensure small load regulation and reliable test data.

**Software of the instrument:** multiparameter continuous test and multiple upper computer control function.

TH9310/20 series not only can perform the independent AC withstanding test, DC withstanding voltage test, insulation resistance test, but also multi-item test via the setting of test programme.

TH9310/20 series all allocate HANDLER, RS-232C and USB, thus the instrument can adapt to the auto test system of different required safety and reliability.

## Feature:

### ■ Four test functions—AC withstanding voltage test, DC withstanding voltage test, and insulation resistance test, open and short detection.

TH9310, TH9320 provide AC/DC withstanding voltage test and insulation resistance test.

TH9310B provide AC withstanding voltage test.

All the instruments have the open and short detection function.

Once connected with load, the tester can perform different tests continually.

### ■ Multi-channel function

**TH9320-S4/S8** has 4/8 programmable test channels. With appropriate test fixtures, program-controlled and fast connection of components can be realized, and the test speed of multi-parameter measurement can be greatly accelerated.

### Simultaneously, the following functions can be achieved:

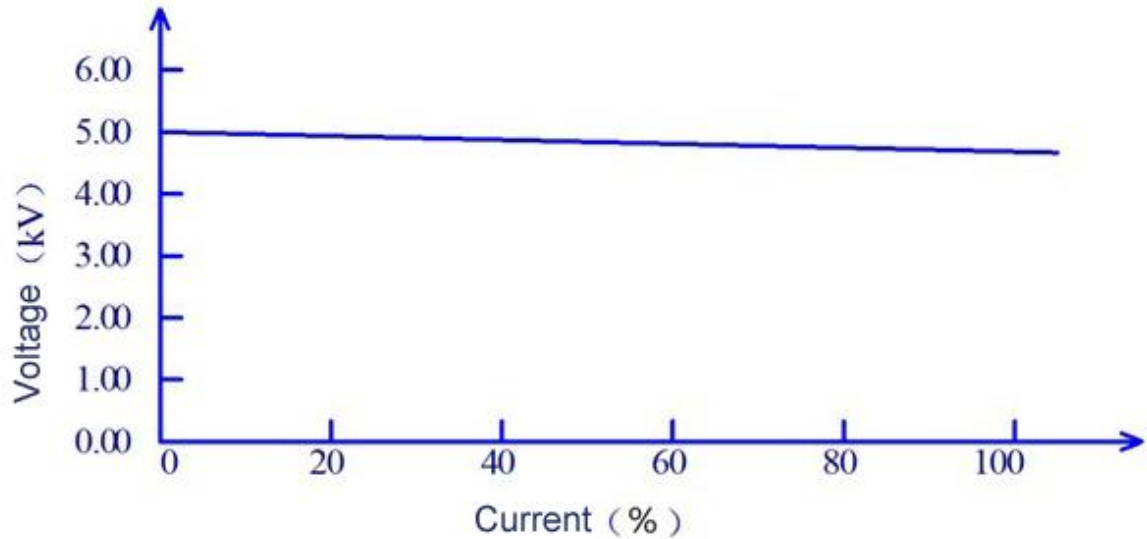
1. **Combine into the TH90010 test system:** connecting with the TH2882AS, use the withstand voltage channel to switch the inter-turn voltage test. At the same time, the withstand voltage and inter-turn withstand voltage sequential test capability can be achieved by programming.
2. **Perfect contact check (node link check):** Use two channels to connect one node at the same time to conduct the continuity test and implement instrument-to-node connection reliability testing.

### ■ Two different test power selection

**In TH9320 series** high voltage module, there is a AB power amplifier circuit and a 100VA high voltage transformer, which can realize the output of 5kV/20mA (AC) and the output of 6kV/10mA (DC). The distortion of the waveform is less than 3%.

**In TH9310 series** high voltage module, there is a AB power amplifier circuit and a 50VA high voltage transformer, which can realize the output of 5kV/10mA and the output of 6kV/5mA (DC). The distortion of the waveform is less than 3%.

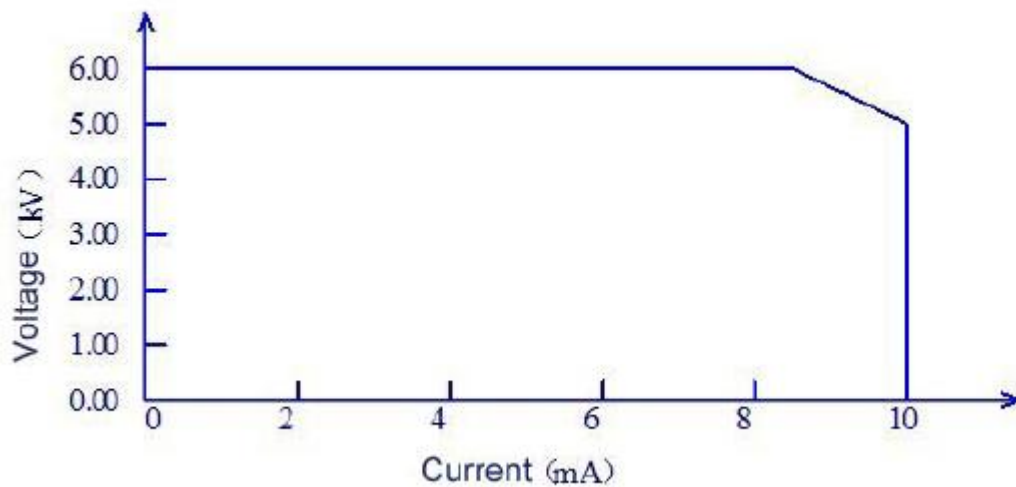
If continuous current output is set, in order to guarantee the reliability of the instrument, the maximum output time is 60 seconds when the output is more than 60% of the rated output current. If the output is within 60%~40% of the rated output current, the continuous working hours should be limited. If the output is less than 40% of the rated output current, it can ensure continuous working.



**Figure 3-3 AC voltage load regulation**

■ **DC withstanding voltage test 5kV/10mA (TH9320/A) 5kV/5mA(TH9310/A)**

TH9310/20 series can provide DC withstanding voltage test of wide voltage range (Max. output DC is 6kV). The automatic voltage regulation and voltage load regulation of 600Hz frequency hardware is less than 1%+10V.



**Figure 3-4 TH9320/A DC voltage output range**

■ **Insulation resistance test 0.050kV to 1.000kV (resolution of 1V) /0.1MΩ to 10.0GΩ (Max. rated current of TH9320 is 10mA and max. rated current of TH9310 is 5mA)**

Insulation resistance test range:

|                 |                |                                    |
|-----------------|----------------|------------------------------------|
| Voltage < 500V: | 0.1MΩ to 1GΩ   | accuracy: ±[10% reading +5 digits] |
| Voltage > 500V: | 0.1MΩ to 100MΩ | accuracy: [5% reading +5 digits]   |
|                 | 100MΩ to 1GΩ   | accuracy: [10% reading +5 digits]  |

■ **Open and short detection: judge the reliability of the DUT before starting the high voltage to ensure the accuracy and safety of high voltage test.**

Open and short detection can judge the distribution impedance current of more than 100PF. When the current is less than this value, the current acquisition circuit resolution of the instrument can not distinguish the connection of open circuit and the test component accurately.

■ **RS-232C interface as the standard**

Except power switch, key lock and execution (auto), other functions can be controlled remotely. In DC withstanding voltage test, AC withstanding voltage test and insulation resistance test, judge and time can be controlled remotely. The test result can also be read via remote control. USB and RS-232C interface provides a stable and united standard test interface for PC or other devices.

■ **HANDLER and SIGNAL interfaces bring convenience for the connection and control.**

**HANDLER interface** can input **START** and **STOP** signals and output **TEST**, **PASS** and **FAIL** signals. Connecting with a footswitch, they can construct a foot-control device; while connecting with simple test fixtures, they can realize safety interlock, air controls, test indication, etc.

**SIGNAL interface** can input **INTERLOCK** signal and provide 24V, 0.5A power output. It is convenient for control and connection.

■ **USB interface for backup**

Through the USB interface equipped by all testers, tester programmed test programmes and customer's measuring file can be saved to or recalled from an external U disk, which is convenient to set, use and file a batch of testers.

■ **Waiting time setup function**

The instrument can set the test waiting time from 0.1s to 999.9s by a resolution of 0.1s. In this period, the tester will output TEST control signals. They are used to control external devices and ensure a reliable connection. After that high voltage measurement will be enabled.

■ **Rising time control function**

In AC withstanding voltage test, DC withstanding voltage test and insulation resistance test, the test voltage can be raised to set value slowly, it can't provide set voltage to DUT instantly after test starts. The voltage rise time is from 0.1s to 999.9s and the resolution is 0.1s. TH9310/20 series meet each UL test standard and IEC withstanding voltage standard (primary voltage is less than the half of test voltage and it can appoint the fixed rising time when reaching the set test voltage.

■ **Fall time control function**

In the pass judge of AC withstanding voltage test, the test voltage can be reduced gradually. The voltage fall time can be set within 0.1s to 999.9s (with the resolution of 0.1s).

■ **Discharge function**

In common condition, the DUT reacts the feature of capacitance. At the moment of the cut of DC withstanding voltage and insulation resistance test, the DUT holds the full charge status, so there is a

danger of electric shock..TH9310/20 has the enforced rapid discharge function after DC withstanding voltage test and insulation resistance test finish.

#### ■ Reinforced safety

In order to improve the safety, TH9310/20 series allocate many devices and safe functions including safe output terminal, discharge function and ground wire current detection. The ground wire current detection means in high voltage test circuit, when return current flowing through shell is larger than 0.45mA, the high voltage output will be cut off, thus there will be no shock current in high voltage to protect the operator's safety.

#### ■ Higher test accuracy

TH9310/20 series is voltage digital display, in withstanding voltage test, the accuracy is  $\pm$  (1%reading +5V), in insulation resistance test, is  $\pm$  (1% reading +2V). The digital display of test current is  $\pm$ (1% reading +5 digits) in withstanding voltage test.

#### ■ Current correction function

AC withstanding test needs high sensitivity and voltage, the stray capacitance effects the accuracy of current test.TH9310/20 series has the current correction function to eliminate the moving current.

#### ■ Easy operation

TH9310/20 series are quite easy to be operated. In the setup interface, all the test parameters are listed. Use direction keys to select a parameter from the LCD display and then use function button to change the parameter. After setting the data, it will back to test interface to perform test.

#### ■ 20 test programmes, and each one includes 20 test items, so it can save 400 test items totally.

It can edit 20 test programmes which is corresponding to user's different test items; each item includes 20 test items and the test item is one of AC withstanding voltage test, DC withstanding voltage, insulation resistance test as well as open and short judge. Each test condition is noninteractive; in file operation interface, the storage file of the instrument can be transferred to the computer or another congeneric instrument through external U-disk.

#### Instruction for options:

##### ■ High voltage output terminal on the rear panel (Optional)

On the rear panel, there is an optional high voltage output which provides convenient schemes for installing the wiring of the instrument on the machine cabinet.

---

#### WARNING:

The instrument applies 5kV AC/ 6kV DC high voltage, so do not touch the DUT and test line, or it will cause the danger of electric shock.

The safe measures should be taken around DUT to assure the operator's safety. Otherwise, please be care about the outputted high voltage due to the incorrect connection and operation.

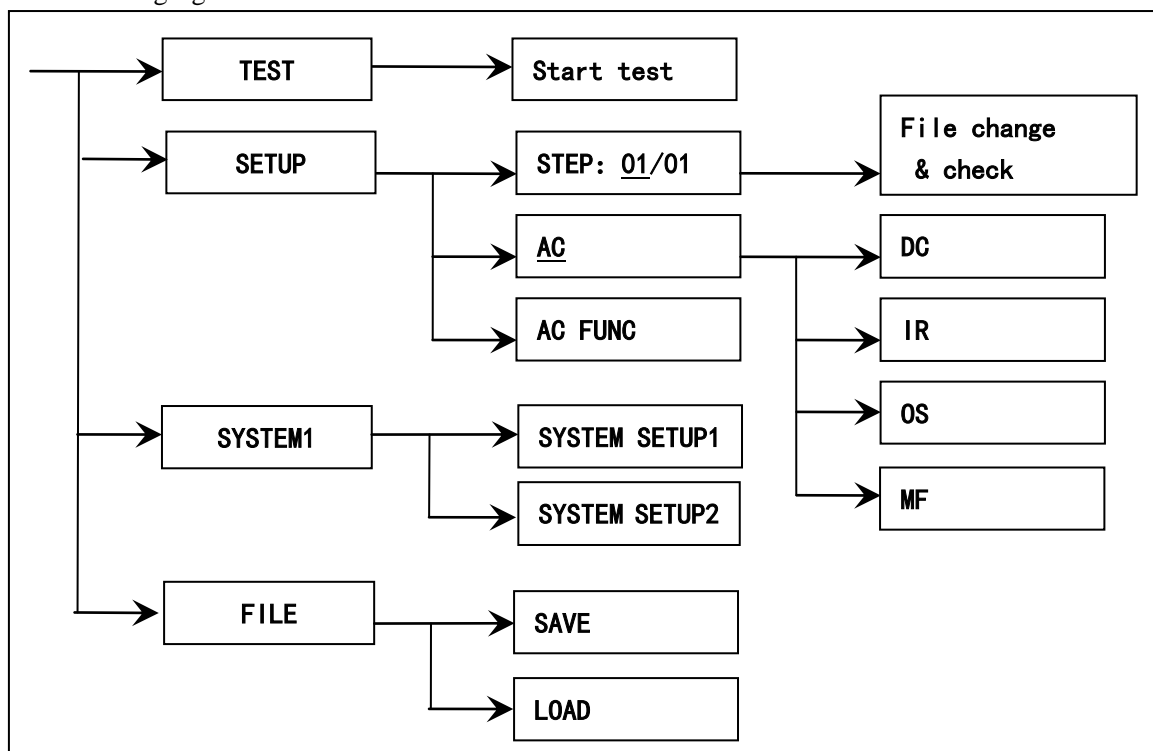
---

# Chapter 4 Basic operation

## 4.1 Interface structure overview

This chapter describes the operation of withstanding voltage and insulation resistance.

The following figure is the interface structure:



Operation Steps

### Introduction to the interface:

- The first line in the interface structure shows the initial states corresponding to the function keys on the panel (see sections 4.3, 4.4 for more details.) The TEST interface cannot modify parameters.
- The second line in the interface shows the parameter structures of the initial interface. For example: STEP 01/01 in the SETUP interface means that it is the step 1 of the programme and the total steps is 1; AC: means the AC withstanding voltage test interface; AC parameter means that other parameters are AC withstanding voltage test parameters.
- The third line in the interface is the function toggle interface. When some function labels are selected in the second interface, the corresponding functions can be changed and their relative parameters will also vary. For instance, changing AC to DC, the tester will change from the AC withstanding voltage test mode to the DC withstanding voltage test mode, and the current AC parameter will be changed into DC parameter.

### NOTE:

1. Turn on the power while pressing F4 key, the instrument will restore factory defaults.
2. Clear extent: SETUP (test condition) and SYSTEM (system setup).
3. When the software is updated or display error caused by recalling archive of low fileversion is encountered, using this method to restore the normal work of the instrument.

## 4.2 Instruction of panel function interface and parameter

This section is mainly describe the function interface and relevant parameter in accordance with the order of software process and interface relevance.

- Initial state introduction of the instrument

1. After starting up, the system enters into the last used setup interface before shutdown last time.
2. The default set of the instrument is single step, AC withstanding voltage and default parameters. As shown below.
3. The default cursor of the default interface is the interface switch. Other interface can be chosen directly.

|                   |       |    |              |       |    |             |    |  |
|-------------------|-------|----|--------------|-------|----|-------------|----|--|
| <b>MEAS SETUP</b> |       |    |              |       |    | <b>INS</b>  | F1 |  |
| <b>STEP:</b>      | 01/01 |    | <b>FUNC</b>  | AC    |    |             |    |  |
| <b>VOLT:</b>      | 0.050 | kV | <b>UPPR:</b> | 1.000 | mA | <b>DEL</b>  | F2 |  |
| <b>TIME:</b>      | 0.5   | S  | <b>LOWR:</b> | OFF   |    | <b>NEW</b>  | F3 |  |
| <b>RISE:</b>      | 0.5   | S  | <b>ARC:</b>  | OFF   |    | <b>UP</b>   | F4 |  |
| <b>FALL:</b>      | 0.5   | S  | <b>FREQ:</b> | 50    | Hz | <b>DOWN</b> | F5 |  |
| <b>Message</b>    |       |    |              |       |    |             |    |  |

**Default interface diagram of the instrument**

Four function keys can be directly used to realize the interface switch, namely TEST, SETUP, SYSTEM and FILE. The interface function will be introduced separately below.

- Basic function operation of panel:

**TEST:** Instrument enters waiting status, the high voltage test starts.

**SETUP:** Change the previous interface of test programme, test item, and test parameter. The change of test programme is finished in this interface.

**SYSTEM:** Enters the set interface related with test safety and the working mode.

**FILE:** Save and load the test programme, relating to the data storage.

**▼▲◀▶:** Cursor can move freely among each parameter.

**F1~F5:** Change the selected data by coordinating with the contents in soft key function display zone.

**NOTE:** steps for system upgrade of the instrument:

1. Log-in the SystemSetup 2 and enter into the PASSWORD item.
2. Press LOCKSYSTEM and input the system lock password. The default password is 9310. Make sure the PASSWORD item is SYSTEM.
3. Turn off the instrument and then restart the instrument. Insert the USB-disk with the upgrade file (USB must be FAT32 format and the capacity must be less than 4G. The upgraded file must reside in a root directory).
4. Enter into the system password keyboard(F5) and input the start-up system upgrade password. The password is 93102013.

5. The system will start upgrading automatically. It will reboot automatically after finishing upgrading.
6. Enter into the lock system keyboard(F5) and input the system lock password. The default password is 9310.
7. Log-in the system interface and enter into the system password item.
8. Set the system password function as OFF and input the password. The password is 9310.

#### 4.2.1 SETUP

| MEAS SETUP |       |    |       |       |    | INS  | F1 |
|------------|-------|----|-------|-------|----|------|----|
| STEP:      | 01/01 |    | FUNC  | AC    |    |      |    |
| VOLT:      | 0.050 | kV | UPPR: | 1.000 | mA | DEL  | F2 |
| TIME:      | 0.5   | S  | LOWR: | OFF   |    |      |    |
| RISE:      | 0.5   | S  | ARC:  | OFF   |    | NEW  | F3 |
| FALL:      | 0.5   | S  | FREQ: | 50    | Hz |      |    |
| Message    |       |    |       |       |    | UP   | F4 |
|            |       |    |       |       |    | DOWN | F5 |

Figure 4.2.1 AC setup interface

#### Modification Instruction of the test programme

STEP: 01/01 Test procedure: current setting No. / total items.

Item identification of the test programme, current test programme No./ total items

| Key | Function | Instruction   |
|-----|----------|---|
| F1  | INS      | Add a new test item. The current item and subsequent items will move one step backward.   |
| F2  | DEL      | Delete the current test item. The subsequent item will move one step forward.   |
| F3  | NEW      | Create a blank test programme (PROG). The system will automatically create a default test item. Please remember to save the test programme after finishing writing. |
| F4  | +        | Visit the parameter of the step after the current displayed step.   |
| F5  | -        | Visit the parameter of the step before the current displayed step.  |

#### AC Current operating mode of test procedure is AC withstanding voltage.

The current working mode of the test item is AC withstanding voltage. Cursor in this position can switch to other working items by F1~F4, for instance DC, IR and OS. For details of parameter modification of the test item, see 4.3 test item interface and parameter setup.

#### NOTE:

For ease of use, press the 'START' key on this interface to enter into the test interface directly and simultaneously start testing according to the current set test programme.

If fault triggering of 'START' occurs, pull out of the INTLOCK jumper before changing the parameter to avoid danger.



#### 4.2.2 TEST (Take AC for example)

|                   |          |              |          |                     |    |
|-------------------|----------|--------------|----------|---------------------|----|
| <b>MEAS SETUP</b> |          |              |          | <b>MEAS SETUP</b>   | F1 |
| <b>STEP:</b>      | 01/01    | <b>FUNC</b>  | AC       |                     |    |
| <b>VOLT:</b>      | 0.050 kV | <b>UPPR:</b> | 1.000 mA | <b>SYSTEM SETUP</b> | F2 |
| <b>TIME:</b>      | 0.5 S    | <b>LOWR:</b> | OFF      | <b>FILE SETUP</b>   | F3 |
| <b>V:</b>         | 0.000    | <b>Kv~</b>   |          |                     | F4 |
| <b>I:</b>         | 0.000    | <b>mA</b>    |          |                     | F5 |
| <b>T:</b>         | 0.0      | <b>S</b>     |          |                     |    |
| Message           |          |              |          |                     |    |

Figure 4.2.2 AC test interface

**Note:**

1. The high voltage can only be started on this interface to test high voltage. Other test conditions have to be set on setup interface.
2. Press ▼ to enter the SETUP interface.
3. The function key F5 can lock the keyboard. When the keyboard is locked, only three keys: START, STOP and F5 (unlock) are usable. Otherwise, the unlocking operation is also controlled by the PASSWORD function in the SYSTEM interface.

The three large font data in the middle of the front panel is the real time test data. After finishing testing, the last test result will be displayed on the panel before pressing the STOP key.

The top one is high voltage output voltage, the unit is (kV).

The middle one is the tested current of low terminal, the unit is (mA) and (uA).

The bottom one is the remained time in testing high voltage. If operator turns off the time control, the test time no less than 999.9S will be displayed. user can analyze the test condition of DUT with the unit of (S).

**! Note:**

**Operator can not leave the test position if the tester is working;  
In the process of testing, do not close to the test line or DUT.**

#### 4.2.3 SYSTEM

System interface is to set the test programme of the instrument, not the specific test component parameters.

### SYSTEM 1 Interface

| SystemSetup 1     |               |                  |        | PgDn |    |
|-------------------|---------------|------------------|--------|------|----|
| <b>PASS HOLD:</b> | OFF           | <b>PASS BEEP</b> | TWO    |      | F1 |
| <b>STEP HOLD:</b> | CONT          | <b>FAIL BEEP</b> | LONG   |      | F2 |
| <b>GFI:</b>       | OFF           | <b>KEY BEEP</b>  | ON     |      |    |
| <b>STEP HOLD:</b> | OFF           | <b>STRT DLY:</b> | OFF    |      | F3 |
| <b>TURN MODE:</b> | ON            | <b>OFFSET:</b>   | OFF    |      |    |
| <b>DISP MODE:</b> | DATA          | <b>SHORT</b>     | HIGH   |      | F4 |
| <b>TEST SAFT</b>  | OFF           | <b>ARC MODE</b>  | Value  |      |    |
| <b>CTRL MODE:</b> | FILE          | <b>STEP MODE</b> | NORMAL |      | F5 |
| <b>Message</b>    | OFF~KEY~99.9S |                  |        |      |    |

#### 4.2.3.1 SYSTEM interface

#### Instruction:

| Label            | Instruction | Definition  |
|------------------|-------------|---|
| <b>PASS HOLD</b> | 0.2S~99.9S  | Pass judge hold time.   |
|                  | KEY         | Pause, press 'STOP' key to finish it.   |
| <b>FAIL MODE</b> | STOP        | If FAIL, quit the testing directly.   |
|                  | CONTINUE    | If FAIL, continue to test, result in table form.  |
|                  | RESTART     | If FAIL, press start key to test from the current step.   |
|                  | NEXT        | If FAIL, press start key to test from the next step.  |
| <b>GFI</b>       | ON , OFF    | Ground wire current detection function.   |
| <b>STEP HOLD</b> | 0.1S~99.9S  | Waiting time between steps.   |
|                  | OFF         | No waiting time between steps.  |
|                  | KEY         | Pause, press 'START' key to test the steps.   |
| <b>TURN MODE</b> | ON          | The voltage output allows fine tuning.<br><b>NOTE: When this mode is set as ON, ARC will result in erroneous judgement.</b> |
|                  | OFF         | By default, the output voltage can not be tuned during the test.  |
| <b>DISP MODE</b> | P/F         | Big character display PASS or FAIL.   |
|                  | DATA        | Display the last data under the test mode.<br>Small character display PASS or FAIL.   |
| <b>TEST SATE</b> | OFF         | In FAIL state, press STOP to quit the test and press START to test.   |
|                  | ON          | In FAIL state, press START to test directly.  |
| <b>CTRL MODE</b> | FILE        | HANDLER interface output the test results after test file ends up.  |
|                  | STEP        | HANDLER interface output the current test result after each step ends up.   |
| <b>PASS BEEP</b> | OFF         | None  |
|                  | LOW LONG    | Low and long volume   |
|                  | TWO SHORT   | Two short volume  |
| <b>FAIL BEEP</b> | OFF         | None  |
|                  | LOW LONG    | Low and long volume   |
|                  | TWO SHORT   | Two short volume  |
| <b>KEY BEEP</b>  | OFF         | Turn off the key beep.  |

|                  |           |  |
|------------------|-----------|--|
|                  | ON        | Turn on the key beep.  |
| <b>STRT DLY</b>  | 0.1~99.9S | Set the test delay time from starting test to the beginning of the test of step 1. |
|                  | OFF       | By default, the instrument starts testing after being ready.                       |
| <b>OFFSET</b>    | OFF~ON    | Set the clear of base number.  |
|                  | GET       | Obtaining the base number under the current test condition.                        |
| <b>SHORT</b>     | LOW       | Short response sensibility: low  |
|                  | HIGH      | Short response sensibility: high   |
| <b>ARC MODE</b>  | VALUE     | Display the corresponding current break value of ARC.                              |
|                  | GRADE     | Display the value and grade.   |
| <b>STEP MODE</b> | NORMAL    | Testing according to the step.   |
|                  | REPPEAT   | Automatic cycle testing.   |

### SYSTEM 2 Interface

| SystemSetup 2    |             |                     |         | PgUp |    |
|------------------|-------------|---------------------|---------|------|----|
| <b>BUS MODE</b>  | RS232C      | <b>LANGUAGE</b>     | English |      | F1 |
| <b>BAUD RATE</b> | 19200       | <b>PASSWORD</b>     | OFF     |      | F2 |
| <b>BUS ADDR</b>  | 8           | <b>ADJ SET</b>      | OFF     |      | F3 |
| <b>DEFAULT</b>   |             |                     |         |      | F3 |
| <b>Time</b>      | 15 -05 - 08 | <b>12 : 12 : 12</b> |         |      | F4 |
| <b>Message</b>   |             |                     |         |      |    |

#### 4.2.3.2 SYSTEM interface

#### Instruction:

| Label           | Instruction     | Definition  |
|-----------------|-----------------|---|
| <b>BUS MODE</b> | RS232C          | Serial mode: data format: 8.n. 1                                      |
|                 | USBTMC          | Standard USB slave mode   |
|                 | USBVCOM         | USB analog serial mode: data format: 8.n. 1                           |
| <b>BAUD</b>     | 9600~115200     | Baud rate of the serial bus.  |
| <b>BUS ADDR</b> | 0-255           | Bus address.  |
| <b>DEFAULT</b>  |                 | Restore factory defaults.<br><b>Not valid on PASSWORD.</b>            |
| <b>LANGUAGE</b> | Chinese/English | Interface language selection.   |
| <b>PASSWORD</b> | OFF             | Turn off the key lock function. The default password is <b>9310</b> . |
|                 | LOCK SYSTEM     | Needing the password when entering the system.                        |
|                 | LOCK FILE       | Needing the password when recalling the file.                         |
|                 | MODIFY          | Change the original password for the new password.                    |
| <b>ADJ SET</b>  | SET             | Adjustment interface.   |

#### 4.2.4 FILE

Press the FILE key to enter into the file manage interface as follows:

| <INTERNAL FILE> |             |              |         | Internal File | F1 |
|-----------------|-------------|--------------|---------|---------------|----|
| 1               | FILE-N1.STA | 2011/ 11/11  | 11 : 11 | External File | F2 |
| 2               | FILE-N2.STA | 2012/ 05/ 20 | 13 : 14 | Exit          | F3 |
| 3               | FILE-N3.STA | 2013/09/19   | 19 : 09 |               | F4 |
| 4               | FILE-N4.STA | 2099/ 09/ 09 | 09 : 09 |               | F5 |
| PAGE 1          |             |              |         |               |    |
|                 |             |              |         |               |    |

#### 4.2.4.1 FILE interface

##### Instruction:





| Serial number | Description      |    | Shortcut option | Definition  |
|---------------|------------------|----|-----------------|---|
| 1             | Memory selection | F1 | Internal        | Internal file interface.  |
|               |                  | F2 | External        | External file interface.  |
| 2             | File list        | F1 | Load            | Load the current file as the internal use file.                   |
|               |                  | F2 | Save            | Save the internal use file to the current file.                   |
|               |                  | F3 | Delect          | Delete the current file.  |
|               |                  | F4 | Copy To E:      | Copy the current file to the U-disk (internal file).              |
|               |                  |    | Copy To I:      | Copy the current file to the interior instrument (external file). |
|               |                  | F5 | Select          | Select the current file (be used for batch processing)            |
| 3             | Page number      |    | PgUp            | Pageup the file list.   |
|               |                  |    | PgDn            | Pagedown the file list.   |

##### Operation interface of the internal file:

| <INTERNAL FILE> |             |              |         | Load       | F1 |
|-----------------|-------------|--------------|---------|------------|----|
| 1               | FILE-N1.STA | 2011/ 11/11  | 11 : 11 | Save       | F2 |
| 2               | FILE-N2.STA | 2012/ 05/ 20 | 13 : 14 | Delect     | F3 |
| 3               | FILE-N3.STA | 2013/09/19   | 19 : 09 | Copy To E: | F4 |
| 4               | FILE-N4.STA | 2099/ 09/ 09 | 09 : 09 | Select     | F5 |
| PAGE 1          |             |              |         |            |    |
|                 |             |              |         |            |    |

#### 4.2.4.2 Operation interface of the internal file:

### Operation interface of the external file:

|   |             |                      |                   |    |
|---|-------------|----------------------|-------------------|----|
| <EXTERNAL FILE>   |             |                      | <b>Load</b>       | F1 |
|  | STA         | 2011/ 11/11 11 : 11  | <b>Save</b>       | F2 |
|  | FILE-A1.STA | 2012/ 05/ 20 13 : 14 | <b>Delect</b>     | F3 |
|  | FILE-A2.STA | 2013/09/19 19 : 09   | <b>Copy To I:</b> | F4 |
|  | FILE-A3.STA | 2099/ 09/ 09 09 : 09 | <b>Select</b>     | F5 |
| PAGE 1  |             |                      |                   |    |

4.2.4.3 Operation interface of the external file:

## 4.3 Test item interface and parameter setup

This section describes each test function parameter and its definition of the setup interface to help the customer set the relevant parameters.

### 4.3.1 AC withstanding voltage test parameter setup:

|                   |          |              |           |              |
|-------------------|----------|--------------|-----------|--------------|
| <b>MEAS SETUP</b> |          |              | <b>AC</b> | F1           |
| <b>STEP:</b>      | 01/01    | <b>FUNC</b>  | <u>AC</u> |              |
| <b>VOLT:</b>      | 0.050 kV | <b>UPPR:</b> | 1.000 mA  | <b>DC</b> F2 |
| <b>TIME:</b>      | 0.5 S    | <b>LOWR:</b> | OFF       |              |
| <b>RISE:</b>      | 0.5 S    | <b>ARC:</b>  | OFF       | <b>IR</b> F3 |
| <b>FALL:</b>      | 0.5 S    | <b>FREQ:</b> | 50 Hz     | <b>OS</b> F4 |
| <b>Message</b>    |          |              |           | F5           |

Figure 4.3.1 AC setup interface

#### Instruction:

|              |               |  |
|--------------|---------------|--|
| <b>VOLT</b>  | 0.050~5.000kV | Voltage value of AC high voltage test  |
| <b>UPPER</b> | 0.001~20.00mA | Current upper limit value of AC withstanding voltage (TH9320 series)                         |
|              | 0.001~10.00mA | Current upper limit value of AC withstanding voltage (TH9310 series)                         |
| <b>LOWR</b>  | 0.001~20.00mA | Low limit current value of AC, it must be smaller than the upper limit value (TH9320 series) |
|              | 0.001~10.00mA | Low limit current value of AC, it must be smaller than the upper limit value (TH9310 series) |
|              | OFF           | No requirement for the low limit value   |
| <b>ARC</b>   | 0.1~20.0 mA   | Current Max. value of AC arc   |

|             |            |   |
|-------------|------------|---|
|             | OFF        | No requirement for the arc                |
| <b>TIME</b> | 0.1~999.9S | Test time of AC withstanding voltage      |
|             | OFF        | No requirement for the test time          |
| <b>RISE</b> | 0.1~999.9S | Voltage rise time of AC high voltage test |
|             | OFF        | The minimum voltage rise time is 0.1s.    |
| <b>FALL</b> | 0.1~999.9S | Voltage fall time of AC high voltage test |
|             | OFF        | The minimum voltage fall time is 0.1s.    |
| <b>FREQ</b> | 50/60      | AC working frequency                      |

#### 4.3.2 DC withstanding voltage test parameter setup :

|                   |       |    |              |       |              |    |
|-------------------|-------|----|--------------|-------|--------------|----|
| <b>MEAS SETUP</b> |       |    |              |       | ++           | F1 |
| <b>STEP:</b>      | 01/01 |    | <b>FUNC:</b> | DC    |              |    |
| <b>VOLT:</b>      | 0.050 | kV | <b>UPPR:</b> | 1.000 | mA           |    |
| <b>TIME:</b>      | 0.5   | S  | <b>LOWR:</b> | OFF   |              | F2 |
| <b>RISE:</b>      | 0.5   | S  | <b>ARC:</b>  | OFF   |              | F3 |
| <b>FALL:</b>      | 0.5   | S  | <b>WAIT:</b> | OFF   |              | F4 |
| <b>RAMP:</b>      | OFF   |    |              |       |              | F5 |
| <b>Message</b>    |       |    |              |       | <b>ENTER</b> |    |

Figure 4.3.2 DC setup interface

#### Instruction:

|              |                 |  |
|--------------|-----------------|--|
| <b>VOLT</b>  | 0.050~6.000kV   | Voltage value of DC high voltage test  |
| <b>UPPER</b> | 0.1 uA~ 10.00mA | Current upper limit value of DC withstanding voltage (TH9320/A)  |
|              | 0.1uA~5.00mA    | Current upper limit value of DC withstanding voltage (TH9310/A)  |
| <b>LOWR</b>  | 0.1 uA ~10.00mA | Current low limit value of DC withstanding voltage, it must be smaller than the upper limit value (TH9320/A) |
|              | 0.1uA~5.00mA    | Current low limit value of DC withstanding voltage, it must be smaller than the upper limit value (TH9310/A) |
|              | OFF             | No requirement for the low limit value   |
| <b>TIME</b>  | 0.1~999.9S      | Test time of DC withstanding voltage   |
|              | OFF             | No requirement for the test time   |
| <b>RISE</b>  | 0.1~999.9S      | Voltage rising time of DC high voltage   |
|              | OFF             | The minimum voltage rise time is 0.1s.   |
| <b>FALL</b>  | 0.1~999.9S      | Voltage down time of DC high voltage test  |
|              | OFF             | The minimum voltage fall time is 0.1s.   |
| <b>WAIT</b>  | 0.1~999.9S      | DC charge waiting time   |
|              | OFF             | No requirement for the charge of the components  |
| <b>ARC</b>   | 0.1~20.0 mA     | Current Max. value of DC arc   |
|              | OFF             | No requirement for the arc   |
| <b>RAMP</b>  | ON              | When the voltage rises, it allows current upper limit judgement  |
|              | OFF             | No detection for the current upper limit, <b>but it allows current limit judgement</b>                       |

■ **4.3.3 Insulation resistance (IR) test parameter setup: (Figure 4.4.3):**

|                   |       |    |              |      |       |
|-------------------|-------|----|--------------|------|-------|
| <b>MEAS SETUP</b> |       |    |              | ++   | F1    |
| <b>STEP:</b>      | 01/01 |    | <b>FUNC:</b> | IR   |       |
| <b>VOLT:</b>      | 0.050 | kV | <b>UPPR:</b> | OFF  | +     |
| <b>TIME:</b>      | 0.5   | S  | <b>LOWR:</b> | 0.1M | -     |
| <b>RISE:</b>      | 0.5   | S  | <b>RANG:</b> | AUTO | --    |
| <b>FALL:</b>      | 0.5   | S  |              |      | ENTER |
| <b>Message</b>    |       |    |              |      |       |

**Figure 4.3.3** IR setup interface

**Instruction:**

|               |                             |  |
|---------------|-----------------------------|--|
| <b>VOLT:</b>  | 0.050~1.000kV               | Voltage value of IR test   |
| <b>UPPER:</b> | 0.1M~50.00G                 | High limit value of IR   |
|               | OFF                         | No judge for high limit value of IR  |
| <b>LOWR:</b>  | 0.1M~50.00G                 | Low limit value of IR, it must be smaller than the upper limit value.  |
|               | OFF                         | No judge for low limit value of IR   |
| <b>TIME:</b>  | 0.1~999.9S                  | Test time of IR.   |
|               | OFF                         | No limit for testing time  |
| <b>RISE:</b>  | 0.1~999.9S                  | Rise time of insulation voltage.   |
|               | OFF                         | Default=0.1S, time conformity with testing time  |
| <b>FALL:</b>  | 0.1~999.9S                  | Fall time of insulation voltage.   |
|               | OFF                         | Cut off voltage output after testing. (the DUT may be electrically charged)  |
| <b>RANG:</b>  | AUTO                        | Auto-range mode. The range changes with the test value.  |
| <b>TH9320</b> | 2uA, 20uA, 200uA, 2mA, 10mA | Fixed range mode. I=U/R can be used to estimate the accelerated the test speed and the increased test accuracy according to the range. |
| <b>TH9310</b> | 1uA, 10uA, 100uA, 1mA, 5mA  |  |

**NOTE:**

When RANG is set as AUTO, the min. range switch time is 0.6s. Please pay attention to it! Current acquisition lags 20ms behind the voltage acquisition, so the displayed resistance value in rise time is smaller than the normal and the resistance value in fall time is larger than the normal value. Hereby is instruction for your reference.

**4.3.4 Open and short detection (OS) parameter setup:**

|                   |       |   |              |             |    |
|-------------------|-------|---|--------------|-------------|----|
| <b>MEAS SETUP</b> |       |   |              | GET         | F1 |
| <b>STEP:</b>      | 01/01 |   | <b>FUNC:</b> | OS          |    |
| <b>OPEN:</b>      | 10    | % | <b>STAN:</b> | <u>NONE</u> |    |
| <b>SHRT:</b>      | OFF   |   |              |             |    |
| <b>Message</b>    |       |   |              |             |    |

**Figure 4.3.4 OS setup interface**

**Instruction:**

|       |                              |   |
|-------|------------------------------|---|
| OPEN  | 10% ~ 100%<br>STEP:1%        | Percentage of open judge value and standard value     |
| SHORT | OFF~100% ~ 500%<br>STEP: 10% | Percentage of short judge value and standard value    |
| STAN  | Previous standard value      | Sampling standard value (see NOTE)                    |
|       | GET                          | Acquisition of the distribution parameter as standard |

**Note:**

1. When the cursor is in the position as the table below, (F1) position displays (GET).
2. Press (F1) function key, the instrument enters standard value sampling status. The instrument outputs 100V voltage in sampling, and the current flowing through the DUT can be obtained within 2 seconds.(please be attention in voltage output)
3. The capacitance value here is not the real capacitance value, but the value of the sampled current being transferred via impedance. The value should be close to that of capacitor installed in the test terminal. (The sampling current is not only generated by capacitor)

Setup of OPEN SHORT value:

The OPEN value is larger than the value when there is no connection with the DUT and smaller than the minimum value when there is connection with the DUT.

The SHORT value is larger than the maximum value when there is connection with the DUT and smaller than the value when having other short problems.

Example: take 3-coil inductance for example: the capacitance between 1-2 is 300P, the capacitance between 1-3 is 200P and 2-3 may short-circuit.

1. No connection with the DUT (GET): STAN=100P, confirmation of the OPEN value.
2. Repeated connection with the DUT, the data range of GET: STAN=350P~450P, confirmation of the standard value.
3. Short circuit in 2-3, the data range of GET: STAN=550P~650P, confirmation of the SHORT value.

Calculation of the parameter setting:

1. Supposing STAN=400P
2. OPEN value: lower limit=100P/400P=25%, upper limit=350P/400P=88%. 60% is recommended to take.
3. SHORT value: lower limit=450P/400P=112%, upper limit=550P/400P=138%. 125% is recommended to take.

**4.3.5 MF (multi-channel follow)**



|                    |                              |            |    |
|--------------------|------------------------------|------------|----|
| <b>MEAS SETUP</b>  | <b>SCAN:</b> 1 2 3 4 5 6 7 8 | <b>ON</b>  | F1 |
| <b>STEP:</b> 01/01 | <b>FUNC</b> MF               | <b>OFF</b> | F2 |
| <b>WAVE:</b> OFF   |                              |            | F3 |
|                    |                              |            | F4 |
| <b>Message</b>     |                              |            | F5 |

Figure 4.3.5 MF setup interface

**Instruction:**

|      |                 |   |
|------|-----------------|---|
| SCAN | 1 2 3 4 5 6 7 8 | Controllable 8 output channels                              |
|      | RED             | Connected with high voltage terminal                        |
|      | GREEN           | Connected with test terminal                                |
| WAVE | ON              | Connect multi-channels according to the current SCAN value. |
|      | OFF             | Turn off the multi-channel                                  |

**NOTE: no this function in multi-channel mode.**

**4.3.6 CK (multi-channel contact check)**

|                       |                              |              |    |
|-----------------------|------------------------------|--------------|----|
| <b>MEAS SETUP</b>     | <b>SCAN:</b> 1 2 3 4 5 6 7 8 | <b>++</b>    | F1 |
| <b>STEP:</b> 01/01    | <b>FUNC</b> CK               | <b>+</b>     | F2 |
| <b>VOLT:</b> 0.050 kV | <b>LOWR:</b> 1.000 mA        | <b>-</b>     | F3 |
| <b>WAIT:</b> 0.1 S    |                              | <b>--</b>    | F4 |
| <b>Message</b>        |                              | <b>Enter</b> | F5 |

**Instruction:**

|      |                 |   |
|------|-----------------|---|
| SCAN | 1 2 3 4 5 6 7 8 | Controllable 8 output channels              |
|      | RED             | Connected with high voltage terminal        |
|      | GREEN           | Connected with test terminal                |
| VOLT | 0.050~6.000kV   | Voltage value of DC high voltage test       |
| LOWR | 0. 1uA~10.00mA  | Current lower value of DC withstand voltage |
|      | 0. 1uA~5.00mA   | Current lower value of DC withstand voltage |

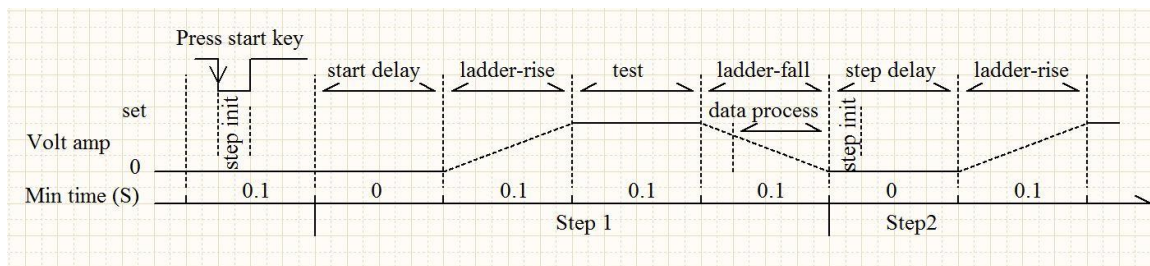
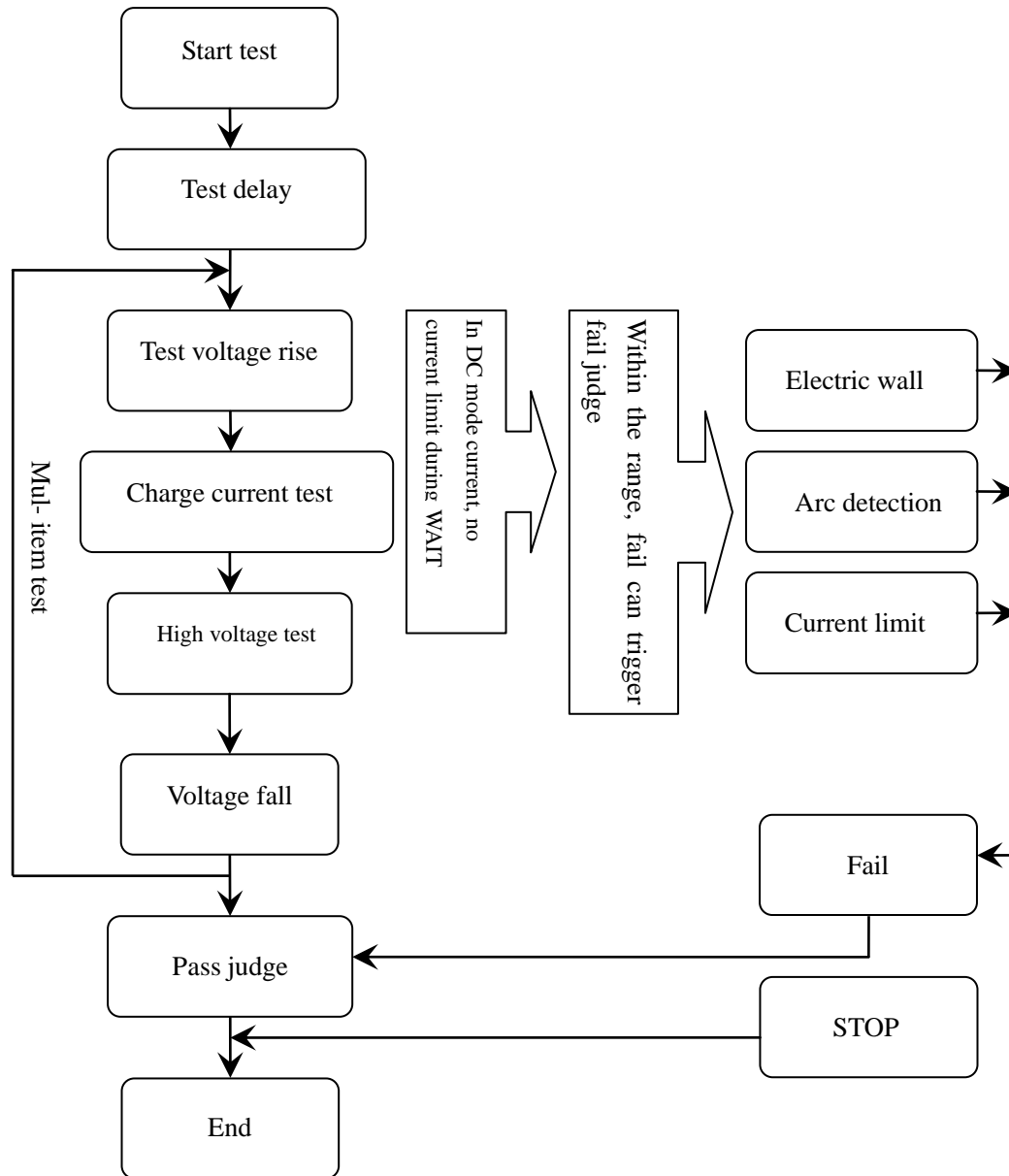
Figure 4.3.6 CK setup interface

**NOTE: no this function in multi-channel mode.**

### 4.4 Test function theory and instruction

This section describes the test theory and instruction of ground connection, ground wire current detection and arc detection according to the order of the test procedure.

Block flow diagram of the instrument



Output voltage waveform amplitude diagram

#### 4.4.1 Start up test

In measurement mode, after the tester check the test conditions and the connection with DUT, press START to start up test.

#### 4.4.2 Test delay

After the delay set by STA DELY in SYSTEM, the tester will start measurement.

#### 4.4.3 Test voltage rise

Some DUTs are voltage-sensitive, so this function is useful. The output voltage rises from zero. The resolution of the output voltage, controlled by the instrument, varies in every 0.1S and depends on the test voltage and the voltage rise time ( $\Delta V = V / (10 * S)$ ). If the voltage rise time (RISE OFF) is turned off, the default voltage rise time will be 0.1S.

#### 4.4.4 DC RAMP

Using the current upper limit judge function in the process of the voltage rise is mainly to avoid erroneous judgement. When the test distributed capacitance is small, under the circumstance of no obvious change in current due to small charge current of the capacitance, RAMP can detect the poor performance of the DUT as soon as possible and decrease the discharge damage probability of the components. When the test distributed capacitance is large, there is a charging process of the capacitance in voltage rise process, now, the current may be far greater than the set current upper limit. If RAMP is set as ON, it may cause erroneous judgement of exceeding the upper limit.

#### 4.4.5 High-voltage test

This function is used to make high-voltage test on DUT. The test circuit should be connected correctly. The measurement result will not be affected by special attach parameters and be the real withstanding-voltage current required by the test.

#### 4.4.6 Voltage fall

It is the same as the voltage rise function depending on the characteristics of DUT. The voltage will fall when the high-voltage test ends. The resolution of the output voltage, controlled by the instrument, varies in every 0.1S and depends on the test voltage and the voltage rise time ( $\Delta V = V / (10 * S)$ ). If the voltage fall time (FALL OFF) is turned off, the default voltage rise time will be 0.1S. At this moment, the instrument will not conduct test compare judgement and the data is for reference only.

#### 4.4.7 Ground wire current detection function

Ground wire current detection is detecting the current flowing through the shell of the instrument to avoid electric shock. When high voltage is output, the current will flow back to the shell of the instrument from voltage output terminal. It may cause very serious consequences.

Circuit response instruction of ground wire current detection:

- When GFI is set as ON, it will be judged as electric shock when the ground wire current is larger than 0.45mA.
- When electric shock is judged, the instrument will end the high voltage output in 0.3s and quit the test mode. **GFI FAIL** will be displayed.

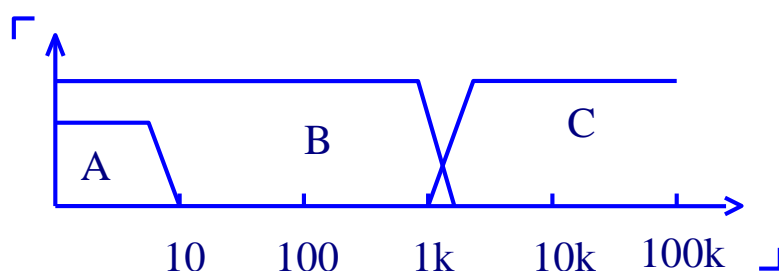
NOTE: when the ground wire current reaches 30mA, if electric shock is really judged, the condition is

quite serious and may cause coma or death of the operator. Where permitted by the product, it is recommended to turn on the ground wire current detection.

#### 4.4.8 Current over limit and arc detection (ARC) function

Current over limit is divided as: current low limit, current high limit, current over limit and arc detection.

- **Current low limit judge(LOW):** generally for judging low terminal break. When instrument tests device, there must be a certain leakage current, when the leakage current is smaller than the set current value, it means fail, if the leakage current of DUT is quite small, then it is not necessary to turn off the function. It displays (**LOW FAIL**) in over limit. This judgement is valid only in the test mode and the timing sampling rate is 100mS/time.
- **Current high limit judge (HIGH):** When instrument tests device, there must be a certain leakage current, when the leakage current is larger than the set current value, it means fail. It displays (**HI FAIL**) in over limit. The timing sampling rate is 100mS/time.
- **Current over limit:** current sampling judge is slow and sometimes the current changes quickly so that sampling circuit can't reflect, otherwise, if current has passed the range of current test, it would trigger the over limit judge. It displays (**SHORT FAIL**) in over limit. **Because the data can not be collected after the current is in over limit, the output result is the test result before the current is in over limit.** The current limit value is twice the output current value allowed by the instrument (the relative AC is 1.5 times of the peak value). When the fall time is invalid, this judgement is nonmaskable.
- **Arc detection (ARC):** It is a practical function in coil component test, which tests the instant fire in partial circuit of high voltage. Because the speed of partial fire is quite fast, and the filter coefficient of common current detection circuit is so large that it can't make a suitable judge. Arc detection circuit filters out the normal current value and only deals with the change of fast current pulse. This function can only roughly estimate the degree of partial fire due to the randomness of lowpass filtering and arc. **Because the data can not be collected after the current is in over limit, the output result is the last test result when the current is in PASS.** It displays (**ARC FAIL**) in over limit.



Current over limit judge and frequency response contrast of arc detection: (in the figure above)

- **Zone A:** Current sampling display circuit frequency response. Filtering out the power ripple → AD sampling → computation of the test result → analyzing whether the current exceeds the limit setting. In the test current range, the pulse width is greater than 100mS.
- **Zone B:** Current fast response circuit. This circuit only filters out high-frequency interference signal → voltage peak contrast → over-flow peak signal lock, only deals with limit judge. When the current is larger than the output current allowed by the

instrument, the pulse width is greater than 1mS.

- Zone C: Arc detection circuit. This circuit only samples the mutational amplitude occurred in the current, signal high pass filters out low frequency → voltage peak contrast → pulse lock. When the current mutation rise is near the set value, the pulse width is about 1uS-1mS.

#### 4.4.9 Fail judgment

When the test result exceeds the set limit of the test item or **transient current exceeds the maximum output current the instrument can bear**, the instrument will judge the DUT as a failure and the following results are: the current test is stopped, the voltage output is cut off, and the test result will be dealt with.

#### 4.4.10 Deal with test results

If existing over limit in the test process, the instrument will judge the DUT as FAIL. There is mul-test item and the process mode of FAIL judge is controlled by the test mode of the system. Otherwise, FAIL and the fail reason (HI, as shown in below table) will be displayed and needs processing by the customer. When the test ends, if there is no FAIL mark, the instrument will judge the DUT as PASS and the process mode of PASS judge is controlled by PASS HOLD in SYSTEM. The instrument will transfer to the next test item or it will exit from the test waiting status.

**From the beginning of this status to the next item starts high voltage, the customer can use the software to query the test data and results.**

|                   |           |    |              |       |    |                     |    |
|-------------------|-----------|----|--------------|-------|----|---------------------|----|
| <b>MEAS SETUP</b> |           |    |              |       |    | <b>MEAS SETUP</b>   | F1 |
| <b>STEP:</b>      | 01/01     |    | <b>FUNC:</b> | AC    |    |                     |    |
| <b>VOLT:</b>      | 1.000     | kV | <b>UPPR:</b> | 1.000 | mA | <b>SYSTEM SETUP</b> | F2 |
| <b>TIME:</b>      | 0.5       | S  | <b>LOWR:</b> | OFF   |    | <b>FILE SETUP</b>   | F3 |
| <b>V:</b>         | 1 . 0 0 0 |    |              | Kv~   |    |                     |    |
| <b>I:</b>         | 1 . 2 0 0 |    |              | mA    |    |                     | F4 |
| <b>T:</b>         | 0 . 0     |    |              | S     |    |                     | F5 |
| HI FAIL           |           |    |              |       |    |                     |    |

#### 4.4.11 STOP

In any test mode, if you press down the “STOP” button on the instrument, it will automatically end the test. When the test ends, no measurement result will be output. **But in test end status, customer can query the test data before pressing the STOP button by using the software.**

#### 4.4.12 OFFSET

Before testing, due to the change of working environment and position of the test cable, there may be some base numbers when the instrument is in no-load test. For some customers who pursuing accurate measurement can conduct zero clearing in SYSTEM interface. The specific steps are as follows:

1. Set the current test condition in SETUP interface.

2. Select OFFSET item in SYSTEM interface and set it as ON.
3. Press GET, the instrument will start high voltage test and treat the current test value as the zero position value.
4. Press “STOP” button to stop the test if the customer has not set the test time.

**NOTE: when in GET, do not connect the product with the test terminal.**

## 4.5 SCAN multi-channel structure and use

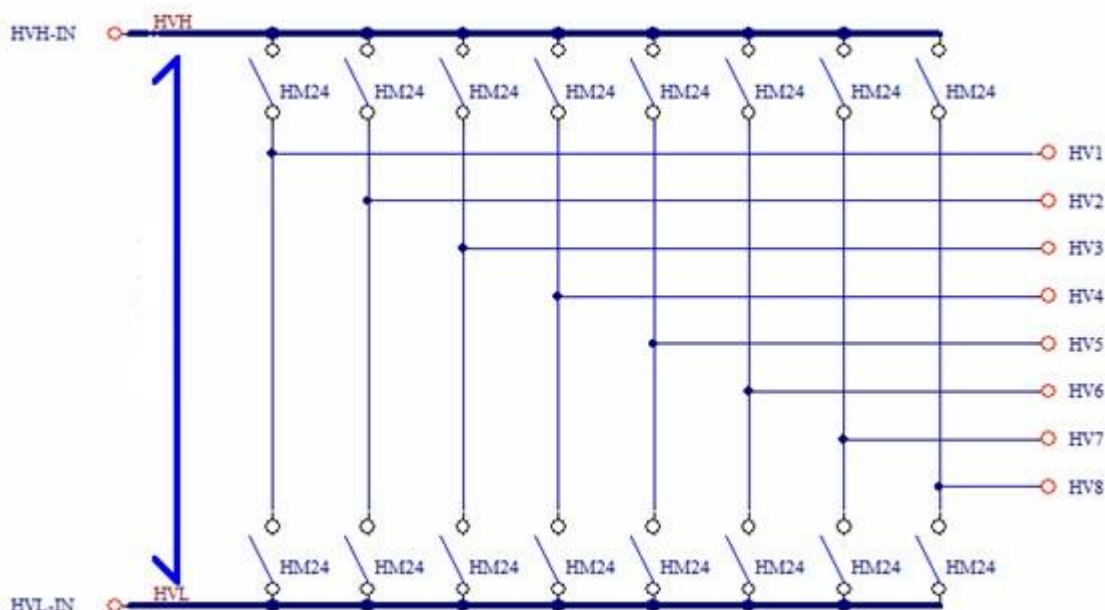
### 4.5.1 SCAN parameter

|                   |          |                       |          |                     |    |
|-------------------|----------|-----------------------|----------|---------------------|----|
| <b>MEAS SETUP</b> |          | SCAN: 1 2 3 4 5 6 7 8 |          | <b>MEAS SETUP</b>   | F1 |
| Step:             | 01/01    | FUNC                  | AC       | <b>SYSTEM SETUP</b> | F2 |
| Volt:             | 1.000 kV | UPPR:                 | 1.000 mA | <b>FILE SETUP</b>   | F3 |
| Time:             | 0.5 S    | LOWR:                 | OFF      |                     | F4 |
| <b>V:</b>         | 1.000    |                       | KV~      |                     | F5 |
| <b>I:</b>         | 1.200    |                       | mA       |                     |    |
| <b>Time:</b>      | 0.0      |                       | S        |                     |    |
| HI FAIL           |          |                       |          |                     |    |

The figure in the parameter indicates the corresponding output channel, the color indicates the internal connection situation.

|       |                 |                                      |
|-------|-----------------|--------------------------------------|
| SCAN: | 1 2 3 4 5 6 7 8 | Controllable 8 output channels       |
|       | BLACK           | OPEN state                           |
|       | RED             | Connected with high voltage terminal |
|       | GREEN           | Connected with test terminal         |

### 4.5.2 Structure principle



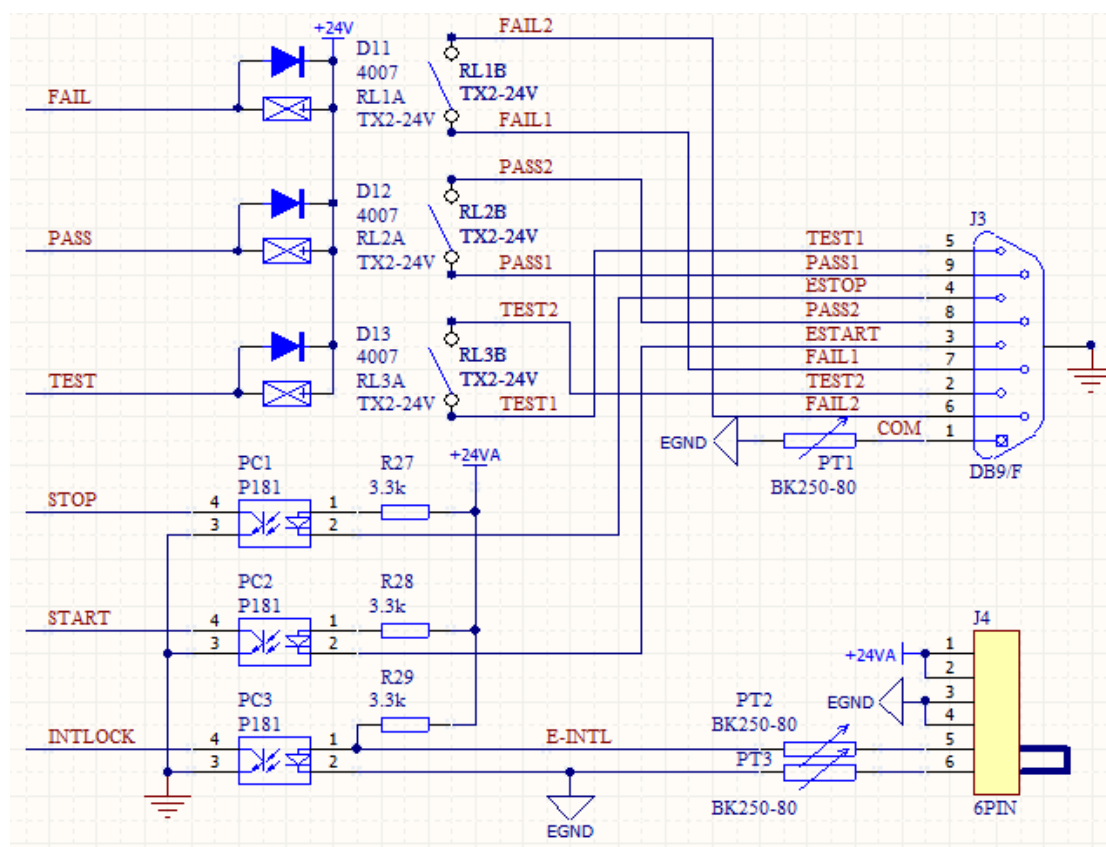
**NOTE:**

1. In the multi-channel state, the output port of the hipot tester has the original function and it can be used as a common terminal.
2. Multi-channel output port connection is set by the user. Pay special attention when using: Do not connect extra high voltage wiring to avoid danger.
3. Using the MF interface to achieve TH90010 online test.
4. Enable CK function, contact testing can be achieved with the test line. In CK, you need to set the channel for detection, one for high voltage and one for test terminal.

## 4.6 Structure and Use of HANDLER and SIGNAL Interface Circuit

### 4.6.1 Control interface theory

Interior theory of HANDLER and SIGNAL interface. See picture below:

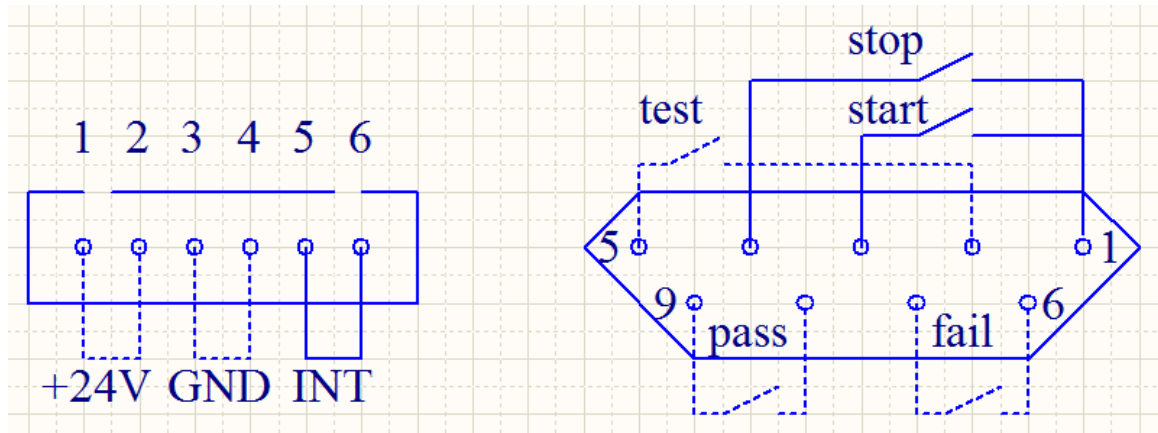


4.5.1: Structure and timing sequence of HANDLER and SIGNAL interface

Instruction:

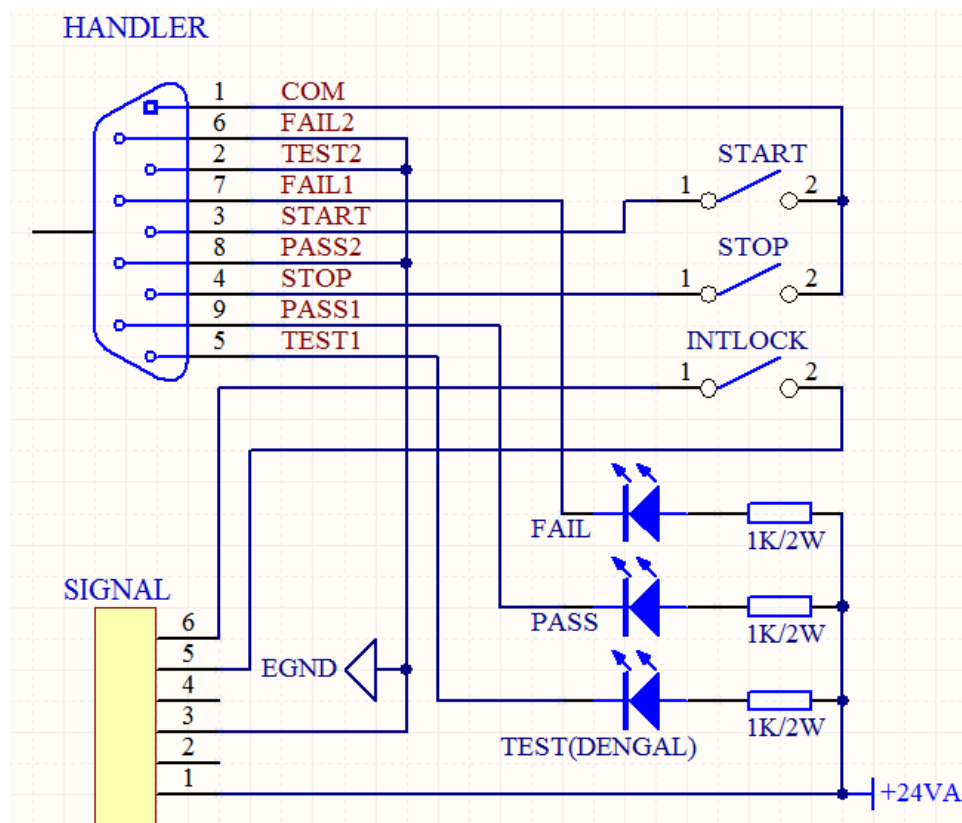
1. HANDLER interface: START, STOP and COM signals makes up remote input control. It is valid in closing of switching input.
2. HANDLER interface: TEST, PASS and FAIL signals makes up remote output control. It is valid in closing of switching output. TEST can be used as the starting signal of high voltage or as the pulse signal when the instrument is in working order.
3. SIGNAL interface is mainly used as the selection signal (INTLOCK) of the instrument when providing on-line testing of several instruments. The signal defaults to short circuit in one machine. It is forbidden to start high voltage output of the instrument when in open circuit.

- SIGNAL interface additionally provides the power supply with +24V output voltage and 0.5A output current. Coordinating with HANDLER interface control signal, it can be used for driving indicator light, optoelectronic switch and miniwatt electromagnetic valve. (See picture below)



#### 4.6.2 Control interface instruction

Control interface is generally used as remote control and test synchronization or indication. The external connection of the interface is as follows:



4.5.2 External circuit connection diagram

Instruction:

- The switch can be replaced with secondary optical coupling and other isolated form switch element. For the current direction, refer to the principle of above diagram (COM terminal is LOW end).
- The indicator light can be replaced with other drive control components. The current direction is subject to the power.



3. Internal power supply performance:

The unregulated output is about 24V, please confirm before use.

The maximum transient output current of the internal power shall not be larger than 0.5A and the current of long working hours shall be less than 0.2A. Self-contained power is necessary if larger current is needed.

If the external control signal needs to be larger than 2A or 220V, the internal relay of the instrument can not bear it. Please transfer it by yourself.

## **4.7 Other interface and function**

1. USB DEV on the front panel is used for connecting the U-disk, exporting and importing the setting files and upgrading the software.
2. USB HOST on the rear panel is used for the communication with the computer. There are two working modes.
  - a) USBTMC: standard USB slave mode. Compatible software format IEE488.
  - b) USBVCOM: USB simulated serial port, data format: 8.n.1. Compatible software format IEE485.
3. RS232 is used for the communication with the computer. See the baud rate in SYSTEM SETUP, data format: 8.n.1. Compatible software format IEE485.

# Chapter 5 Serial port commands instruction

## Brief description for command format:

1. The instrument commands only describe the actual characters accepted or sent by the instrument.
2. Command characters are ASCII characters.
3. The command data "<???" are all ASCII character strings. The system default format is an integer or floating-point number. The data unit is the default value and does not appear in the command.
4. At the end of the command, there must be an end mark: the identifier of the end of an command, without which the instrument does not resolve the command.
  - a) The default end marks are: carriage return (NL), print control (\n), decimal number (10), and hexadecimal number (0x0A).
  - b) The end mark of IEEE-488 bus: keywords (^END), signals (EOI).

## Multiple instructions can be simplified, for example as follows:

**Note: In the example, "\_" is a space mark**

DISP: PAGE\_MSET (NL^END)

FUNC: SOUR: STEP\_1: AC: VOLT\_1000; UPPC\_1; TTIM\_9.9; CH1\_HIGH; CH2\_LOW (NL^END)

FUNC: SOUR: STEP\_INS (NL^END)

FUNC: SOUR: STEP\_2: DC: VOLT\_1000; UPPC\_1; TTIM\_9.9; CH1\_HIGH; CH2\_LOW (NL^END)

Structure analysis: **Command** [:command word <\_value>] <:parameter\_value> [<parameter\_value>] (NL ^END)

## 5.1 SCPI commands

Subsystem commands of TH9320/9310:

- DISPlay
- FUNction
- SYSTem
- MMEM
- FETC

## 5.2 DISPlay Subsystem Commands

DISPlay subsystem commands are mainly used to set the instrument display page.

The :DISPlay? query returns to the current page.

### DISPlay: PAGE

Command Syntax: DISPlay:PAGE <page name>

Functions of <page name> are as follows:

- |             |  |
|-------------|--|
| MEASurement | Set the display page to measurement display.   |
| MSETup      | Set the display page to measurement setup. (It is valid when in this interface for FUNC commands)    |
| SYSTem      | Set the display page to system setup. (It is valid when in this interface for SYST commands)         |
| FLISt       | Set the display page to (internal) file list. (It is valid when in this interface for MMEM commands) |

For example: Set the display page to measurement display.

Command Syntax: DISP: PAGE MEAS

Query syntax: DISPlay:PAGE?  
 Return format: MEAS

### 5.3 FUNCTION Subsystem Commands

NOTE: the operating interface must be in Setup interface(DISPlay: PAGE MSETup)

#### 5.3.1 FUNCTION subsystem commands--mainly used to set the test parameters of test function

Command Tree:

| Command | : command word | : command word | Value   | : command word                                    |
|---------|----------------|----------------|---------|---|
| FUNC    | →              | : SOUR →       | NEW     | Create a new test file                            |
|         |                | : STAR         | INS     | Insert test step after current position           |
|         |                | : STOP         | DEL     | Delete the test step of current position          |
|         |                |                | < n > → | : AC STEP< n > Set as: AC Test ( <b>default</b> ) |
|         |                |                |         | : DC STEP< n > Set as: DC Test                    |
|         |                |                |         | : IR STEP< n > Set as: IR Test                    |
|         |                |                |         | : OS STEP< n > Set as: OS Test                    |
|         |                |                |         | : CK STEP< n > Set as: CK Test                    |

| AC Test | : Param |
|---------|---------|
| : AC →  | : VOLT  |
|         | : UPPC  |
|         | : LOWC  |
|         | : TTIM  |
|         | : RTIM  |
|         | : FTIM  |
|         | : ARC   |
|         | : FREQ  |
|         | : MODE  |
|         | : CH    |

| DC Test | : Param |
|---------|---------|
| : DC →  | : VOLT  |
|         | : UPPC  |
|         | : LOWC  |
|         | : TTIM  |
|         | : RTIM  |
|         | : FTIM  |
|         | : WTIM  |
|         | : ARC   |
|         | : RAMP  |
|         | : MODE  |
|         | : CH    |

| IR Test | : Param |
|---------|---------|
| : IR →  | : VOLT  |
|         | : UPPC  |
|         | : LOWC  |
|         | : TTIM  |
|         | : RTIM  |
|         | : FTIM  |
|         | : ARC   |
|         | : RANG  |
|         | : MODE  |
|         | : CH    |

| OS Test | : Param |
|---------|---------|
| : OS →  | : OPEN  |
|         | : SHOT  |
|         | : GET   |
|         | : CH    |

| CK Test | : Param |
|---------|---------|
| : CK →  | : VOLT  |
|         | : UPPC  |
|         | : CH    |

#### 5.3.2 Commands for PROG Function

##### FUNC: START

Start the test while the instrument is in test interface.

##### FUNC: STOP

Stop the test while the instrument is in test interface.

**FUNC: SOURCE: STEP NEW**

Create an empty test programme to write a brand new test programme

**FUNC: SOURCE: STEP INS**

Add a new test item in existing test programme (STEP).

**FUNC: SOURCE: STEP DEL**

Delete the current test item in existing test programme (STEP).

**FUNC: SOURCE: STEP <sn>**

Edit the <sn> step of the current test programme, <sn> = 1~20

**5.3.3 Commands for AC Setup Function**

**FUNC:SOURce:STEP:AC:VOLT** To set / inquiry about the voltage for ACW test

--Syntax:

Command message:

FUNC:SOUR:STEP <sn>:AC:VOLT<voltage>

Query message:

FUNC:SOUR:STEP <sn>:AC:VOLT?

--Data<sn>:

Data format: integer

Data range: 1~20

Data accuracy: 1

--Data<voltage>:

Data format: float

Data range: 50~5000

Data accuracy: 1

Data unit: V

--Example:

Set the voltage for ACW test in STEP1 as 1000V.

Command message: FUNC:SOUR:STEP 1:AC:VOLT 1000

Query message: FUNC:SOUR:STEP 1:AC:VOLT?

Return value: 1000

**FUNC:SOURce:STEP:AC:UPPC** To set/inquiry about the UPPER current for ACW test

--Syntax:

Command message:

FUNC:SOUR:STEP <sn>:AC:UPPC<current>

Query message:

FUNC:SOUR:STEP <sn>:AC:UPPC?

--Data<voltage>:

Data format: float

Data range: 0.001 ~20.000 mA

Data accuracy: 0.001mA

Data unit: mA

--Example:

Set the current for ACW test in STEP1 as 1mA.

Command message: FUNC:SOUR:STEP 1:AC:UPPC 1

Query message: FUNC:SOUR:STEP 1:AC:UPPC?

Return message: 1.000

**FUNC:SOURce:STEP:AC:LOWC** To set /inquiry about the LOWER current for ACW test

--Syntax:

Command message:

FUNC:SOUR:STEP <sn>:AC:LOWC<current>

Query message:

FUNC:SOUR:STEP <sn>:AC:LOWC?

--Data<current>:

Data format: float

Data range: 0~20.000 mA (0 is OFF) TH9320

0~10.000 mA (0 is OFF) TH9320

Data accuracy: 0.001mA

--Example:

Set the LOWER current for ACW test in STEP1 as 1mA.

Command message: FUNC:SOUR:STEP 1:AC:LOWC 1

Query message: FUNC:SOUR:STEP 1:AC:LOWC?

Return message: 1.000

**FUNC:SOURce:STEP:AC:TTIM** To set /inquiry about the TEST time for ACW test.

--Syntax:

Command message:

FUNC:SOUR:STEP <sn>:AC:TTIM<time>

Query message:

FUNC:SOUR:STEP <sn>:AC:TTIM?

--Data<time>:

Data format: float

Data range: 0~999.9 (0 is OFF)

Data accuracy: 0.1

Data unit: s

--Example:

Set the TEST time for ACW test in STEP1 as 1s.

Command message: FUNC:SOUR:STEP 1:AC:TTIM 1

Query message: FUNC:SOUR:STEP 1:AC:TTIM?

Return message: 1

**FUNC:SOURce:STEP:AC:RTIM** To set /inquiry about the RISE time for ACW test

--Syntax:

Command message:

FUNC:SOUR:STEP <sn>:AC:RTIM<time>

Query message:

FUNC:SOUR:STEP <sn>:AC:RTIM?

--Data<time>:

Data format: float  
Data range: 0~999.9 (0 is OFF)  
Data accuracy: 0.1  
Data unit: s

--Example:

Set the RISE time for ACW test in STEP1 as 1s.  
Command message: FUNC:SOUR:STEP 1:AC:RTIM 1  
Query message: FUNC:SOUR:STEP 1:AC:RTIM?  
Return message: 1.000

**FUNC:SOURce:STEP:AC:FTIM** To set /inquiry about the FALL time for ACW test

--Syntax:

Command message:  
FUNC:SOUR:STEP <sn>:AC:FTIM<time>  
Query message:  
FUNC:SOUR:STEP <sn>:AC:FTIM?

--Example:

Set the FALL time for ACW test in STEP1 as 1s.  
Command message: FUNC:SOUR:STEP 1:AC:FTIM 1  
Query message: FUNC:SOUR:STEP 1:AC:FTIM?  
Return message: 1

**FUNC:SOURce:STEP:AC:ARC** To set /inquiry about the ARC upper current for ACW test.

--Syntax:

Command message:  
FUNC:SOUR:STEP <sn>:AC:ARC<current>  
Query message:  
FUNC:SOUR:STEP <sn>:AC:ARC?

--Data<current>:

Data format: float  
Data range: 0~20.0mA (0 is OFF) TH9320  
Data accuracy: 0.1mA  
Data unit: mA

--Example:

Set the ARC upper current for ACW test in STEP1 as 1mA.  
Command message: FUNC:SOUR:STEP 1:AC:ARC 1  
Query message: FUNC:SOUR:STEP 1:AC:ARC?  
Return message: 1.000

**FUNC:SOURce:STEP:AC:FREQ** To set /inquiry about the test frequency for ACW test.

--Syntax:

Command message:  
FUNC:SOUR:STEP <sn>:AC:FREQ<frequency>

Query message:

FUNC:SOUR:STEP <sn>:AC:FREQ?

--Data<frequency>:

Data format: character

Data range: 50/60

Data accuracy:

Data unit: Hz

--Example:

Set the test frequency for ACW test in STEP1 as 50Hz.

Command message: FUNC:SOUR:STEP 1:AC:FREQ:50

Query message: FUNC:SOUR:STEP 1:AC:FREQ?

Return message: 50

**FUNC:SOURce:STEP:AC:CH1** To set /inquiry about the multi-channel value

--Syntax:

Command message:

FUNC: SOUR: STEP 1: AC: CH1 <channel value>

Query message:

FUNC: SOUR: STEP 1: AC: CH1?

--Data<channel value>:

Data format: character

Data range: HIHG/LOW/OPEN

--Example:

Set the CH1 for ACW test in STEP1 as HIGH.

Command message: FUNC: SOUR: STEP 1: AC: CH1 HIGH

Query message: FUNC: SOUR: STEP 1: AC: CH1?

Return message: HIGH

NOTE: it shares the same method for other channel.

--Example:

Set the CH2 for ACW test in STEP1 as LOW.

Command message: FUNC: SOUR: STEP 1: AC: CH2 LOW

Query message: FUNC: SOUR: STEP 1: AC: CH2?

Return message: LOW

### 5.3.4 Commands for DC Setup Function

**NOTE: for the basic format, please refer to commands for AC Setup function.**

**FUNC:SOURce:STEP:DC:VOLT** To set /inquiry about the voltage for DCW test

--Data<voltage>:

Data format: float

Data range: 50~6000

Data accuracy: 1

Data unit: V

**FUNC:SOURce:STEP:DC:UPPC** To set /inquiry about the UPPER current for DCW test

--Data<current>:

Data format: float

Data range: 0.001 ~10.000 mA TH9320

0.001 ~5.000 mA TH9310

Data accuracy: 0.001mA

Data unit: mA

**FUNC:SOURce:STEP:DC:LOWC** To set /inquiry about the LOWER current for DCW test

--Data<current>:

Data format: float

Data range: 0~10.0 mA (0 is OFF) TH9320

0~5.0 mA ( 0 is OFF) TH9310

Data accuracy: 0.001mA

Data unit: mA

**FUNC:SOURce:STEP:DC:TTIM** To set /inquiry about the TEST time for DCW test

--Data<time>:

Data format: float

Data range: 0~999.9 (0 is OFF)

Data accuracy: 0.1

Data unit: s

**FUNC:SOURce:STEP:DC:RTIM** To set /inquiry about the RISE time for DCW test

--Data<time>:

Data format: float

Data range: 0~999.9 (0 is OFF)

Data accuracy: 0.1

Data unit: s

**FUNC:SOURce:STEP:DC:FTIM** To set /inquiry about the FALL time for DCW test

--Data<time>:

Data format: float

Data range: 0~999.9 (0 is OFF)

Data accuracy: 0.1

Data unit: s

**FUNC:SOURce:STEP:DC:ARC** To set /inquiry about the ARC upper current for DCW test

--Data<current>:

Data format: float

Data range: 0~20.0mA (0 is OFF) TH9320

0~10.0mA (0 is OFF) TH9310

Data accuracy: 0.1mA



Data unit: mA

**FUNC:SOURce:STEP:DC:WTIM** To set /inquiry about the wait time for DCW test

--Syntax:

Command message:

FUNC:SOUR:STEP <sn>:DC:WTIM<time>

Query message:

FUNC:SOUR:STEP <sn>:DC:WTIM?

--Data<sn>:

--Data<time>:

Data format: float

Data range: 0~999.9(0 is OFF)

Data accuracy: 0.1

Data unit: s

--Example:

Set the wait time for DCW test in STEP1 as 1s.

Command message: FUNC:SOUR:STEP 1:DC:WTIM 1

Query message: FUNC:SOUR:STEP 1:DC:WTIM?

Return message: 1

**FUNC:SOURce:STEP:DC:RAMP** To set /inquiry about the RAMP state for DCW test

--Syntax:

Command message:

FUNC:SOUR:STEP <sn>:DC:RAMP<ON/OFF> or <1/0>

Query message:

FUNC:SOUR:STEP <sn>:DC:RAMP?

--Data<voltage>:

Data format: character

Data range: OFF(0), ON(1)

Data accuracy:

Data unit:

--Example:

Set the RAMP state for DCW test in STEP1 as ON.

Command message: FUNC:SOUR:STEP 1:DC:RAMP ON

Query message: FUNC:SOUR:STEP 1:DC:RAMP?

Return message: ON

### 5.3.5 Commands for IR Setup Function

**NOTE: for the basic format, please refer to commands for AC Setup function.**

**FUNC:SOURce:STEP:IR:VOLT** To set /inquiry about the voltage for IR test

--Data<voltage>:

Data format: float

Data range: 50~1000

Data accuracy: 1

Data unit: V

**FUNC:SOURce:STEP:IR:UPPC** To set /inquiry about the UPPER resistance for IR test

--Data<resistance>:

Data format: float

Data range: 0~1E4 (0 is OFF) MΩ

Data accuracy: 1.0 MΩ

Data unit: MΩ

**FUNC:SOURce:STEP:IR:LOWC** To set /inquiry about the LOWER resistance for IR test

--Data<resistance>:

Data format: float

Data range: 0.1~1E4 MΩ

Data accuracy: 0.1 MΩ

Data unit: MΩ

**FUNC:SOURce:STEP:IR:TTIM** To set /inquiry about the TEST time for IR test

--Data<time>:

Data format: float

Data range: 0~999.9 (0 is OFF)

Data accuracy: 0.1

Data unit: s

**FUNC:SOURce:STEP:IR:RTIM** To set /inquiry about the RISE time for IR test

--Data<time>:

Data format: float

Data range: 0~999.9 (0 is OFF)

Data accuracy: 0.1

Data unit: s

**FUNC:SOURce:STEP:IR:FTIM** To set /inquiry about the FALL time for IR test

--Data<time>:

Data format: float

Data range: 0~999.9 (0 is OFF)

Data accuracy: 0.1

Data unit: s

**FUNC:SOURce:STEP:IR:RANG** To set /inquiry about the range for IR test

--Data<range>:

Data format: integer

Data range: 0~5 (0 is AUTO, 1 is 10mA, 2 is 2mA, 3 is 200uA, 4 is 20uA, 5 is 2uA)

**FUNC:SOURce:STEP:IR:CH1** To set /inquiry about the multi-channel value

--Data<channel value>:

Data format: character

Data range: HIHG/LOW/OPEN

### 5.3.6 Commands for OS Setup Function

**NOTE: for the basic format, please refer to commands for AC Setup function.**

**FUNC:SOURce:STEP:OS:OPEN** To set /inquiry about the OPEN rate for OS test

--Syntax:

Command message:

FUNC:SOUR:STEP <sn>:OS:OPEN<rate>

Query message:

FUNC:SOUR:STEP <sn>:OS:OPEN?

--Data<rate>:

Data format: integer

Data range: 10~100

Data accuracy: 1

Data unit:

--Example:

Set the OPEN rate for OS test in STEP1 as 50%.

Command message: FUNC:SOUR:STEP 1:OS:OPEN 50

--Return message

Query message: FUNC:SOUR:STEP 1:OS:OPEN?

If the OPEN rate for OS test in STEP1 is 50.0

50.00 is returned.

**FUNC:SOURce:STEP:OS:SHOT** To set /inquiry about the SHOT rate for OS test

--Syntax:

Command message:

FUNC:SOUR:STEP <sn>:OS:SHOT<rate>

Query message:

FUNC:SOUR:STEP <sn>:OS:SHOT?

--Data< rate>:

Data format: float

Data range: 0~500

Data accuracy: 10

Data unit:

--Example:

Set the SHOT rate for OS test in STEP1 as 100%.

Command message: FUNC:SOUR:STEP 1:OS:SHOT 100

--Return message

Query message: FUNC:SOUR:STEP 1:OS:SHOT?

If the SHOT rate for OS test in STEP1 is 100.0,

100.0 is returned.

**FUNC:SOURce:STEP:OS:GET** Outputs the capacitance

Command message:

FUNC:SOUR:STEP <sn>:OS: GET

The instrument will automatically sample the standard capacitance value after impedance transformation of the current.

## 5.4 SYSTEM Subsystem Commands

NOTE: it is valid only in system setup interface, use command (DISPlay: PAGE SYSTem) to switch.

Command Tree:

|      |   |                                  |
|------|---|----------------------------------|
| SYST | → | : BEEP 0(OFF)/1(SHORT)/2(LONG )  |
|      |   | : PASS 0.3-99.9                  |
|      |   | : STEP 0.3-99.9                  |
|      |   | : GFI 0/1, (ON/OFF)              |
|      |   | : DISP 0 (P/F) , 1 (DATA)        |
|      |   | : LANG 0 (Chinese) , 1 (English) |
|      |   | : TURN 0(ON)/1(OFF)              |
|      |   | : DELA 0-99.9                    |
|      |   | : OFFS 1/2/GET, (ON/OFF/GET)     |
|      |   | : FAIL 0                         |
|      |   | (STOP)/1(CONT)/2(REST)/3(NEXT)   |
|      |   | : RES                            |
|      |   | : SMOD 0 (NORMAL) ,1 (FRAME) , 2 |
|      |   | (REPEAT)                         |

**SYSTEM:BEEP** To set /inquiry about the BEEP

--Syntax:

Command message:

SYST: BEEP <0(OFF)/1(SHORT)/2(LONG ) >

Query message:

SYST:BEEP?

--Data< OFF/SHORT/LONG>:

Data format: character

Data range: 0~2(0 is OFF, 1 is SHORT, 2 is LONG)

--Example:

Set the BEEP as 1,

Command message: SYST:BEEP 1

--Return message

Query message: SYST: BEEP?

If the volume of BEEP is 1,

1 is returned.

**SYSTem:PASS**            To set /inquiry about the time for PASSHOLD

--Syntax:

Command message:

SYST:PASS <time>

Query message:

SYST:PASS?

--Data< rate>:

Data format: float

Data range: 0.3~99.9

Data accuracy: 0.1

Data unit: s

--Example:

Set the PASSHOLD as 1.0s.

Command message: SYST: PASS 1

--Return message

Query message: SYST:PASS?

If the time for PASSHOLD is 1.000,  
1.000 is returned.

**SYSTem:STEP**            To set /inquiry about the time for STEPHOLD

--Syntax:

Command message:

SYST:STEP<time>

Query message:

SYST:STEP?

--Data< rate>:

Data format: float

Data range: 0.3~99.9

Data accuracy: 0.1

Data unit: s

--Example:

Set the STEPHOLD as 1.0s.

Command message: :SYST:STEP1

--Return message

Query message: FUNC: :SYST:PASS?

If the time for STEPHOLD is 1.000,  
1.000 is returned.

**SYSTem:GFI**            To set /inquiry about the state for GFI

--Syntax:

Command message:

SYST:GFI <ON/OFF> or <1/0>

Query message:

SYST:GFI?

--Data< ON/OFF>:

Data format: character

Data range: 0(OFF), 1(ON)

--Example:

Set the GR CONT as ON,

Command message: SYST:GFI ON or SYST:GFI:1

--Return message

Query message: FUNC: :SYST:GFI?

If the state for GR CONT is 1,

1 is returned.

**SYSTem:DISP** To set /inquiry about the state for DISP

--Syntax:

Command message:

SYST:DISP<0/1>

Query message:

SYST:DISP?

--Data< 0/1>:

Data format: character

Data range: 0(P/F), 1(DATA)

--Example:

Set the DISP as DATA,

Command message: SYST:DATA 1

--Return message

Query message: SYST: DISP?

If the state for DISP is 1,

1 is returned.

**SYSTem:LANGuage** To set /inquiry about the state for language

--Syntax:

Command message:

SYST:LANG<0/1>

Query message:

SYST:LANG?

--Data< ON/OFF>:

Data format: character

Data range: 0(Chinese), 1(English)

--Example:

Set the LANG as 0(Chinese),

Command message: SYST:LANG 0

--Return message

Query message: SYST: LANG?

If the state for LANG is 0,

0 is returned.

**SYSTEM:TURN** To set /inquiry about the state for TURN

--Syntax:

Command message:

SYST:TURN<ON/OFF> or <1/0>

Query message:

SYST:TURN?

--Data< ON/OFF>:

Data format: character

Data range: 0(OFF), 1(ON)

--Example:

Set the TURN as ON,

Command message: SYST:TURN ON or :SYST: GFI: 1

--Return message

Query message: SYST: TURN?

If the state for GR TURN is 1,

1 is returned.

**SYSTEM:DELAy** To set /inquiry about the time for DELAy

--Syntax:

Command message:

SYST:DELA <time>

Query message:

SYST:DELA?

--Data:

Data format: float

Data range: 0~99.9(0 is OFF)

Data accuracy:0.1

Data unit: s

--Example:

Set the DELA as 1.0s,

Command message: SYST:DELA 1

--Return message

Query message: SYST: DELA?

If the time for DELA is 1.000,

1.000 is returned.

**SYSTEM:OFFSet** To set /inquiry about the state for OFFSet

--Syntax:

Command message:

SYST:OFFS<ON/OFF/GET> or <1/0/GET>

Query message:

### SYST:OFFS?

--Data< ON/OFF/GET>:

Data format: character

Data range: 0(OFF), 1(ON), GET(get the reset value)

--Example:

Set the OFFS as ON,

Command message: SYST:OFFS ON or :SYST: OFFS 1

--Return message

Query message: SYST: OFFS?

If the state for OFFS is 1,

1 is returned.

--Gets the current value

Command message: SYST: OFFS GET

**SYSTEM:FAIL** To set /inquiry about the state for AFTR FAIL

--Syntax:

Command message:

SYST: FAIL <0(STOP) /1(CONT) /2 (REST) /3( NEXT) >

Query message:

SYST:FAIL?

--Data< STOP/CONT/REST/NEXT>:

Data format: character

Data range: 0~3

--Example:

Set the AFTR FAIL as ON,

Command message: SYST:FAIL 0

--Return message

Query message: SYST: FAIL?

If the state for AFTR FAIL is 0,

0 is returned.

**SYSTEM:RESet** To set all sets to default state.

--Syntax:

Command message:

Command message: SYST:RES

**SYSTEM:SMODE** To set /inquiry about the working mode

--Syntax:

Command message:

SYST: SMOD <0(NORMAL)/1(REPEAT)

Query message:

SYST: SMOD?

--Data< working mode >:

Data format: integer



Data range: 0 (NORMAL), 1 (REPEAT)

--Example:

Set the working mode as REPEAT,

Command message: SYST: SMOD 1

--Return message

Query message: SYST: SMOD?

If the working mode is REPEAT,

1 is returned.

## 5.5 MMEM Subsystem Commands

NOTE: it is valid only in file interface, use command (DISPlay: PAGE MMEM) to switch.

**MMEM: STOR** Save the current file to file number

--Syntax:

Command message:

MMEM: STOR : STAT <file no.> [, <file name>]

--Data <file no.>:

Data format: integer

Data range: 1-20

Data accuracy: 1

--Data <file name> negligible

Data format: character string

Data range: 1-15

**MMEM: LOAD** Export the specified file

--Syntax:

Command message:

MMEM: LOAD : STAT <file no.>

--Data <file no.>:

Data format: integer

Data range: 1-20

Data accuracy: 1

## 5.6 FETCH Subsystem Commands

**FETCh** To get the measurement result

--Syntax:

Command message:

FETCh: AUTO <ON/OFF> or <1/0>

Query message:

FETCh?

--Data<ON/OFF> or <1/0>

Data format: character

Data range: 0 (OFF), 1 (ON)

--Example:

Set the test data return to ON,

Command message: FETCh: AUTO ON or FETCh: AUTO 1

--Return message

Query message: FETCh?

The current measurement result will be returned.

Command syntax: FETCh?

When the instrument receives the command, it will automatically return the measurement result until the end of the test.

Return format:

Step: Test item: Test voltage (V), Test current (mA), BIN result;  
(1)                (1)                (2)                (2)                (3)

(1): Steps and test items, the separator between test items and data is (:).

(2): The delimiter between test data is (,). The separator between different unit data is (;)

(3): The separator between steps is (; + space). The end of data defaults to (0x0A).

Note:

1. All data is an integer or floating-point format, ASCII string.

2. The data unit is the same as the FUNC set commands by default. No unit is returned when the string is returned.

The test results are:

STEP1: AC: 1000V, test current is 1mA, result PASS.

STEP2: IR: 500V, test resistance 100M, result PASS.

Return data format:

STEP1: AC: 1000, 1.000, PASS; (SPACE)

STEP2: IR: 500,100.000, PASS; (0x0A)

## 5.7 Other Commands

**\*IDN** Inquiry about the model and version information of the instrument

Return message: <manufacturer>,<model>,<firmware><NL^END>

Where,

<manufacturer> Gets the manufacturer name (Tonghui)

<model> Gets the machine model (such as TH9320/9310)

<firmware> Gets the version number of firmware (such as Version1.0.0)

For example: WrtCmd(“\*IDN?”);

## 5.8 Command debugging sequence

1. Make sure the communication hardware is RS232, RS485, USB, GPIB.

2. Install the corresponding communication driver or debugging software. Make sure the setup parameter of computer matches with the parameter in instrument.

3. Use (\*IDN?) to confirm that the communication is connected and that normal text can be transferred in both directions.

4. Edit the interface switching instruction (DISP: PAGE <NAME>), and see if the instrument interface switching is normal.

5. DISP: PAGE SYST (NL^END) To enter the system interface. (SYST commands)

6. SYST: FAIL 1 (NL^END) To set system parameters.

7. DISP: PAGE MSET (NL^END) To enter the setup interface. (FUNC commands)

8. FUNC: SOUR: STEP\_NEW (NL^END) To edit a new test file

9. FUNC: SOUR: STEP 1: AC: VOLT 1000;UPPC 1;TTIM 9.9; CH1 HIGH; CH2 LOW (NL^END)

Add the parameters of Step 1

10. FUNC: SOUR: STEP\_INS (NL^END) Create a new step.

11. FUNC: SOUR: STEP 2: DC: VOLT 1000; UPPC 1; TTIM 9.9; CH1 HIGH; CH2 LOW (NL^END)  
Add the parameters of step 2.

12. You can repeat step 10-11 and up to 20 STEPs can be added.

13. In the setup interface (MSET) or test (MEAS) interface, use FUNC:STAR

**Note: In the example, " " is a space mark, and (NL^END) is an end mark.**