

POWER

AVQ200 Wide Input

200 Watt Quarter Brick DC-DC Converter

Data Sheet

Total Power: 200 Watts
(12 V @ 19 A)
Input Voltage: 18 - 75 V
of Outputs: Single
(12 V nom)



SPECIAL FEATURES

- 200 W continuous power
- High efficiency: 93 %
- 18-75 Vdc wide range Telecom input range
- Baseplate optimised for contact cooling or heatsink mounting
- Open frame version optimised for aircooling
- Low ripple and noise
- Fixed switching frequency
- High capacitive load capability
- Pre-bias start-up capability
- High reliability
- RoHS 6/6 compliant
- UL94 V-0 materials
- DOSA footprint compliant
- Two year warranty (consult factory for extended terms)

SAFETY

- EN60950
- CSA
- CE
- UL

Electrical Specifications

Input

Input range	18 - 75 VDC
Input surge	100 V / 100 mSec
Input UVLO	Turn-on: 17.1 Vdc nom Turn-off: 15.6 Vdc nom Hysteresis: 1.5 Vdc
Input current maximum	15 Amps
Efficiency (48 Vin, 25 °C ambient)	93% at 12 V peak efficiency
I/O insulation	Basic insulation
I/O isolation	1500 Vdc

Output

Output voltage	12 V nominal set point
Output voltage regulation	12 V ± 1%
Output current maximum	19 A @ 12 V output voltage
Noise & ripple	80 mV pk-pk max (@ 12 V)
Overtemperature protection	Baseplate: 110 °C baseplate Open frame: 130 °C hotspot
Overvoltage protection Method / OVP operation	15.5 V nominal Auto recovery
Overcurrent protection Method / OCP operation	29 A nominal Auto recovery hiccup mode

Control

Enable	Positive or Negative option
Output voltage trim range	-10% to +10% Vout
Switching frequency	300 KHz



Environmental Specifications

Storage temperature	-40 °C to +105 °C
Ambient temperature	-40 °C to +85 °C
Baseplate operating temperature	-40 °C to +100 °C (no power derating)
MTBF	1 million hours target

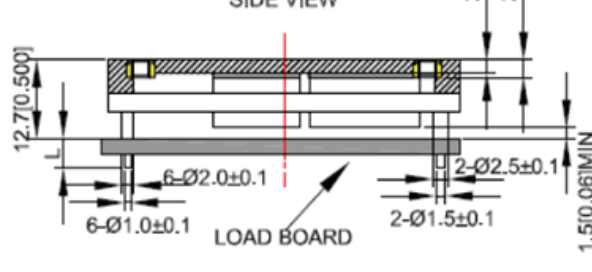
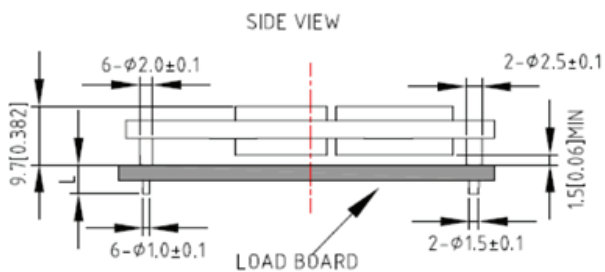
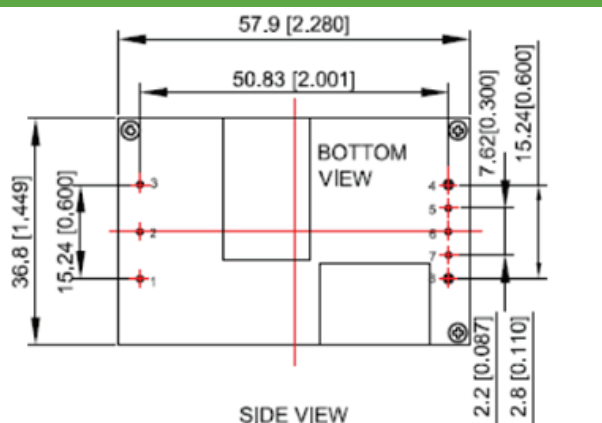
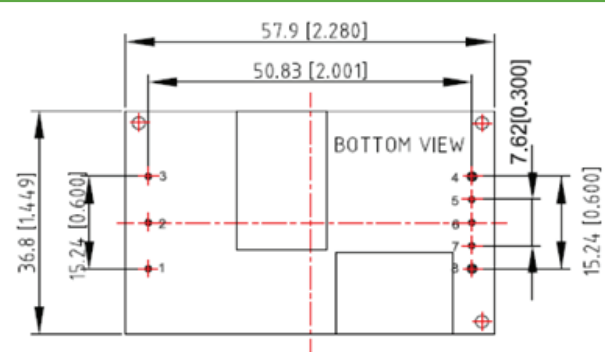
Ordering Information

Model number	Input voltage	Output voltage set-point	Output Current	Efficiency
AVQ200-36S12-6L	18 - 75 Vdc	12 V dc	19 A max	93% full load
AVQ200-36S12B-6L	18 - 75 Vdc	12 V dc	19 A max	93% full load

"-6" = 3.8 mm pin length

"-L" = RoHS 6/6 compliant

Mechanical Drawings



UNIT: mm[inch]

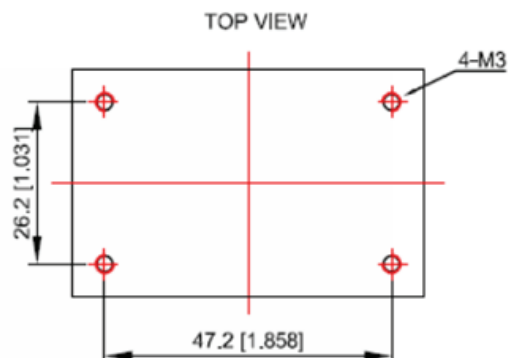
BOTTOM VIEW: pin on upside

TOLERANCE: X.Xmm±0.5mm[X.X in.±0.02in.]

X.XXmm±0.25mm[X.XX in.±0.01in.]

Pin Length Option

Device Code Suffix	L
-4	4.8 mm+/-0.5 mm
-6	3.8 mm+/-0.5 mm
-8	2.8 mm+/-0.25 mm
NONE	5.8 mm+/-0.5 mm



Pin Assignments

Pin #		Function	
1	+V in	5	-Sense
2	Enable	6	Trim
3	-V in	7	+Sense
4	-V out	8	+V out

Notes:

1. All specifications are subject to change without notice. Mechanical drawings are for reference only.
2. Warranty: 2 years
3. Label and logo appearance may vary from what is shown on mechanical drawings.

WORLDWIDE OFFICES

Americas

2900 South Diablo Way
Suite B100
Tempe, AZ 85282, USA
+1 888 412 7832

Europe (UK)

Ground Floor Offices, Barberry House
4 Harbour Buildings, Waterfront West
Brierley Hill, West Midlands
DY5 1LN, UK
+44 (0) 1384 842 211

Asia (HK)

14/F, Lu Plaza
2 Wing Yip Street
Kwun Tong, Kowloon
Hong Kong
+852 2176 3333



www.artesyn.com

Artesyn Embedded Technologies, Artesyn Embedded Power, Artesyn, and all Artesyn related logos are trademarks and service marks of Artesyn Embedded Technologies, Inc. All other names and logos referred to are trade names, trademarks, or registered trademarks of their respective owners. Specifications are subject to change without notice. © 2019 Artesyn Embedded Technologies, Inc. All rights reserved. For full legal terms and conditions, please visit www.artesyn.com/legal.

For more information: www.artesyn.com
For support: productsupport.ep@artesyn.com