

DAEHAN SENSOR



Vibration Type Level Sensor
with level switch

DVS – Series

Level Switch with Contact – Output

Product Name

DVS – 100–E



ISO 9001 인증업체

Table of Contents

1. Introduction	3
2. Features	3
3. Specification	3
4. Installation	4
5. Calibration & Setting	4
6. Wiring Connection	5
7. Check Point Before A/S	6

SPECIFICATIONS

Media : Solid, Liquid

Wiring : Input - 2 wire

Output - Max. 3 wire
(SPDT x 1ea)

Input Voltage : DC 24V
(Option - AC 220V)

Output Signal : N/O 1ea, N/C 1ea

Contact Rat. : AC 250V / 3A

Sensitivity : specific gravity 0.1 over

Delay : Max. 10 sec (Variable)

frequency : 850Hz

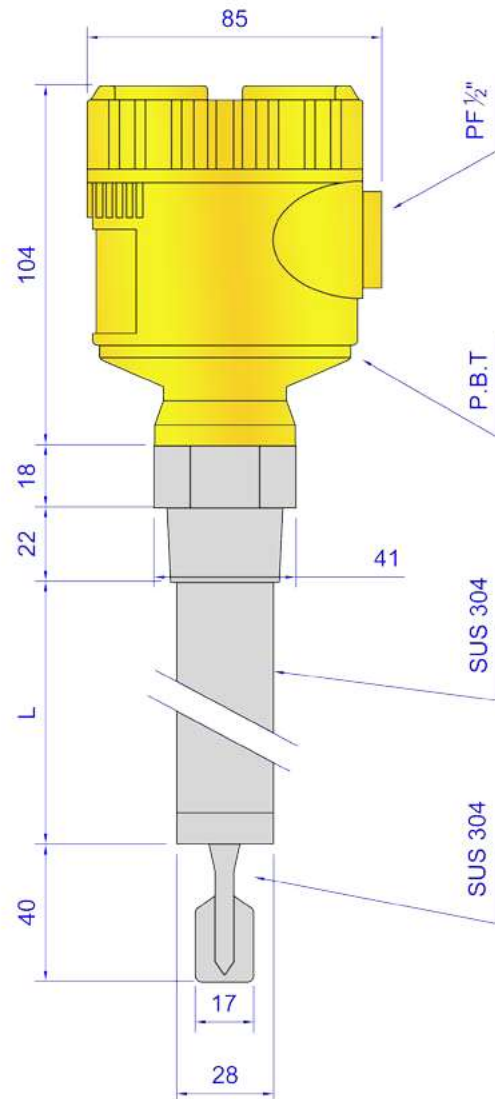
Temperature : -20°C ~ 60°C (Circuit)
-20°C ~ 80°C (Probe)

Pressure : A, T, M

Waterproof / Dustproof : IP65

Material : Head Housing - P.B.T

Probe - SUS304
(Option - SUS316)



Introduction

The vibration type level sensor is using a system that amplifies resonance frequency so to detect. Comparing the signals between oscillator and detection sensor, it maintains PLL Lock status when it is in normal operation.

When something touches sensor's detecting part to get obstructed, the phase difference rises between two signals, it gets In Lock status so that it sends output by delaying the signal.

Features

With a unique frequency, a piezoelectric element is working with vibration. If any media touches the surface, it reduces vibration so to send relay contact output.

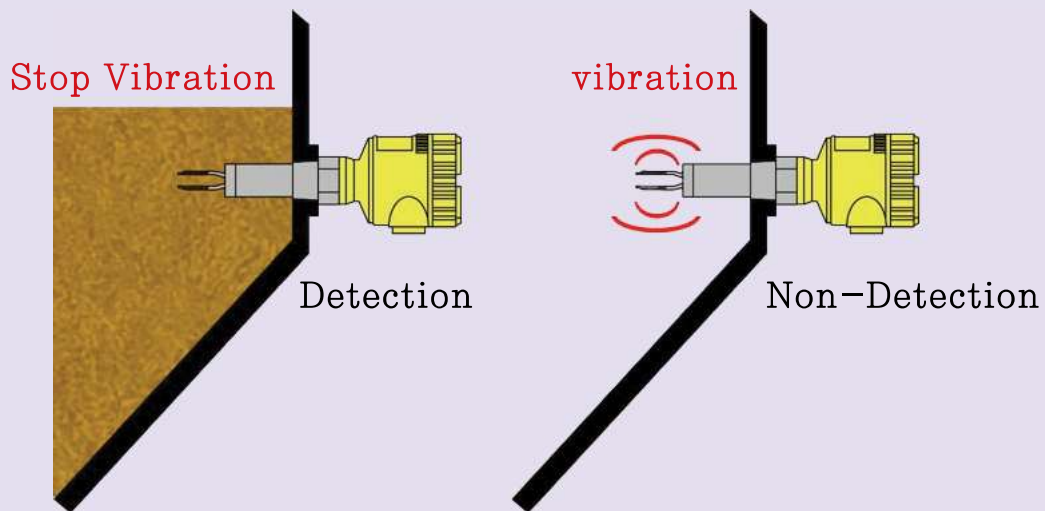
It is outstanding level sensor with high safety to measure the level of mostly liquid, fluid, diesel oil, powder, cement, resins and cereals.

Installation

Install to the tank and use it as shown in the picture. Check if a flange or a socket is suitable for the product specification.

If it impacts on the sensor fork during installation, it is high possible that the internal vibrating device can be damaged. Be cautious of this.

After connecting the internal power inside head to the wiring terminal, the check operation. Referring to rating plate, check the product specifications.



Using in the strong adhesive liquid will cause a malfunction of the sensor.
If it impacts on the detecting part, it will cause a malfunction of the sensor.

Calibration

DVS-Series sensor is custom-made sensor.

It is determined that contact output location and direction when it is manufactured.

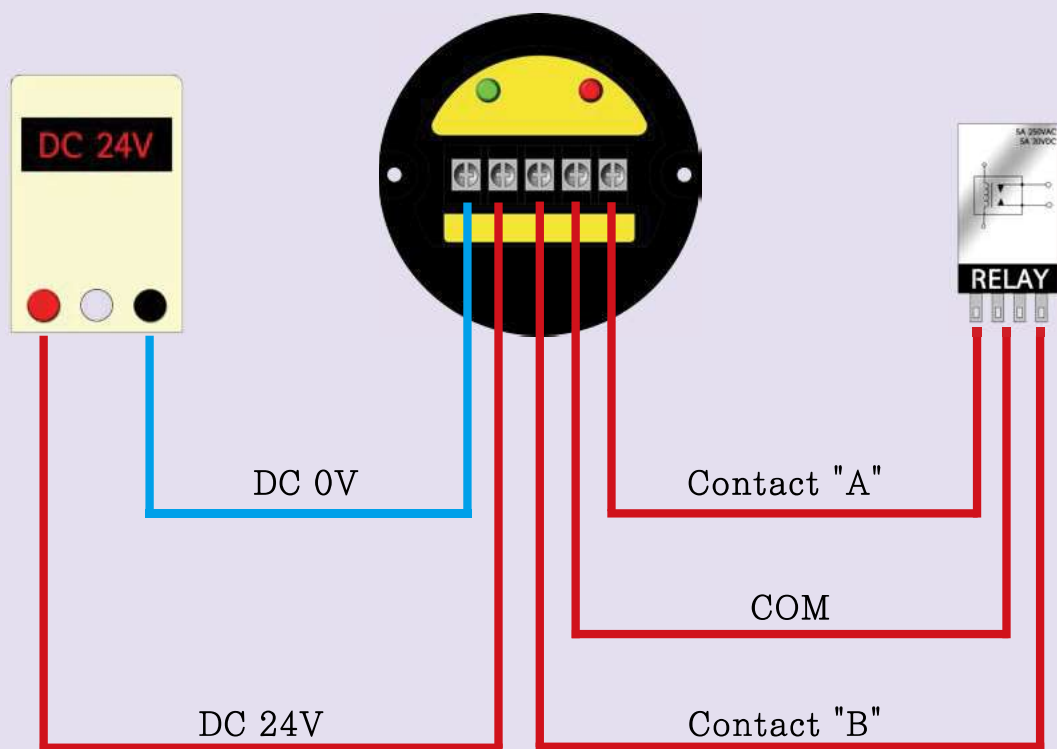
If you need to change, please contact us.

There is no way for you to alter setting.

Wiring Connection

Wiring to a Sequential Control

Red Lamp : Operation
Green Lamp : Power



Check & A/S

The input voltage is normal?

: Check if the input of AC 220V/110V, is normally supplying.

The wiring is correct?

: Check the connect the wire short-circuit and / or poor contact.

The state of sensor is normal?

: Check if water or liquid exists inside of the sensor.

Head Office

94-2, Yongdap-dong, Seongdong-gu, Seoul, Korea

R&D Office

2-71, Jeonong-dong, Dongdaemun-gu, Seoul, Korea

Tel : 02-2213-9888(代) Fax : 02-2245-3482

e.mail : master@dh34.com Domain : www.dh34.com