

DAEHAN SENSOR



Displacement Level Sensor
with level switches

DMC – Series

Level Switch with Contact Output

Product Name

- DMC – 1S
- DMC – 2S
- DMC – 3S



DMC – 1S

DMC – 2S

DMC – 3S



ISO 9001 인증업체

Table of Contents

1. Introduction	3
2. Features	3
3. Specification	3
4. Installation	4
5. Calibration & Setting	4
6. Wiring Connection	5
7. Check Point Before A/S	6

SPECIFICATIONS

Media : Only Liquid

Wiring : 2~5 wire
(input/output the same)

Output Signal : Point (N/O, N/C)

Temperature : $-20^{\circ}\text{C} \sim 80^{\circ}\text{C}$
(Option - Max. 200°C)

Pressure : $10\text{Kgf}/\text{cm}^2$
(Option - Max. $20\text{Kgf}/\text{cm}^2$)

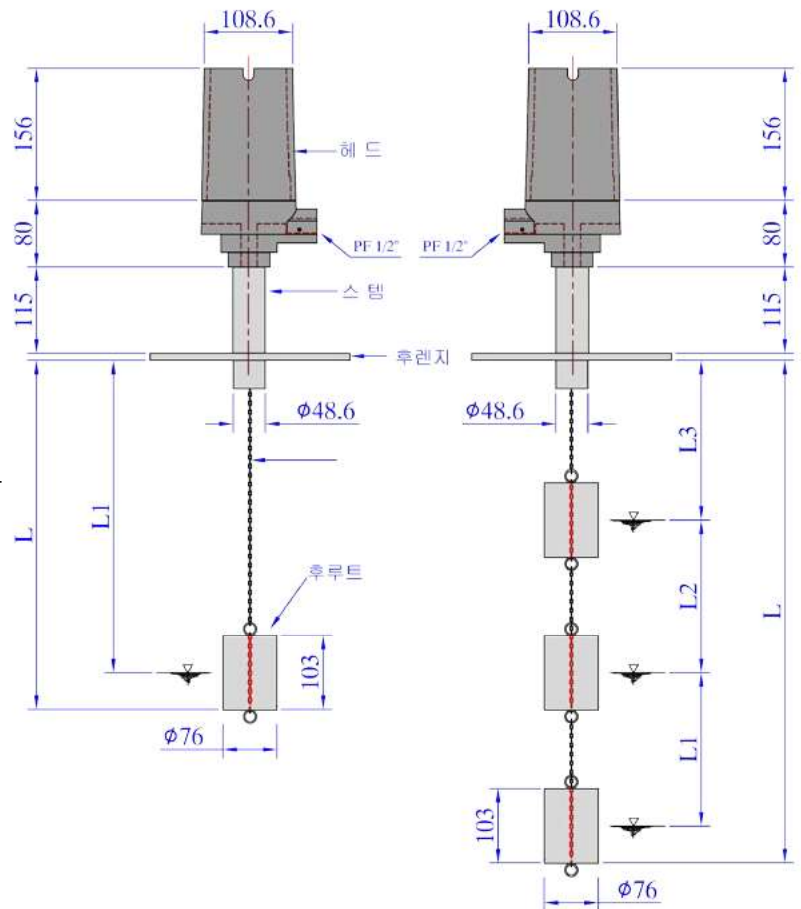
Material : Head Housing - Aluminum

Stem - SUS304
(Option - SUS316)

Flange - SUS304
(Option - SUS316)

Float - SUS304
(Option - SUS316)

Stopper - SUS304
(Option - SUS316)



Introduction

The outage capacity type radio frequency level sensor is detected according to the change of outage formed between the earth electrodes when the measuring electrode and the electrode area are in the air and in the material.

This change alters the electrical control signal of the main unit that it is possible to receive the relay output point of contact.

Features

This precise sensor is easy to install and to use, so that widely used in the liquid application as well as solid application including grain, powder, sand, coal, and etc.

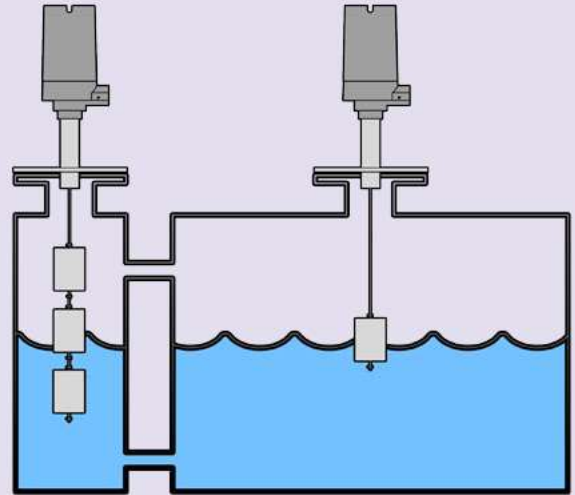
Installation

As shown in the picture, it is installed and using.

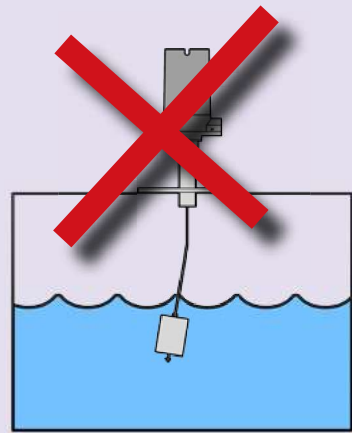
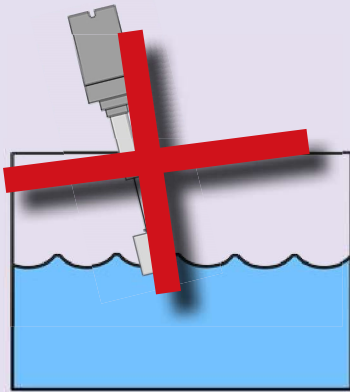
Check if the flanges specification match between Tank and product.

Insert a float and stem into the tank and make sure that it is installed vertically right.

Connect wiring between sensor contact terminals and controller.



◎ Installation Caution ◎



As shown in the picture, when you install DMC Sensor, if the wire is bent or warped, it could be the cause of the malfunction of DMC sensor. Please note that when installing.

Calibration

DMC-Series sensor is custom-made sensor.

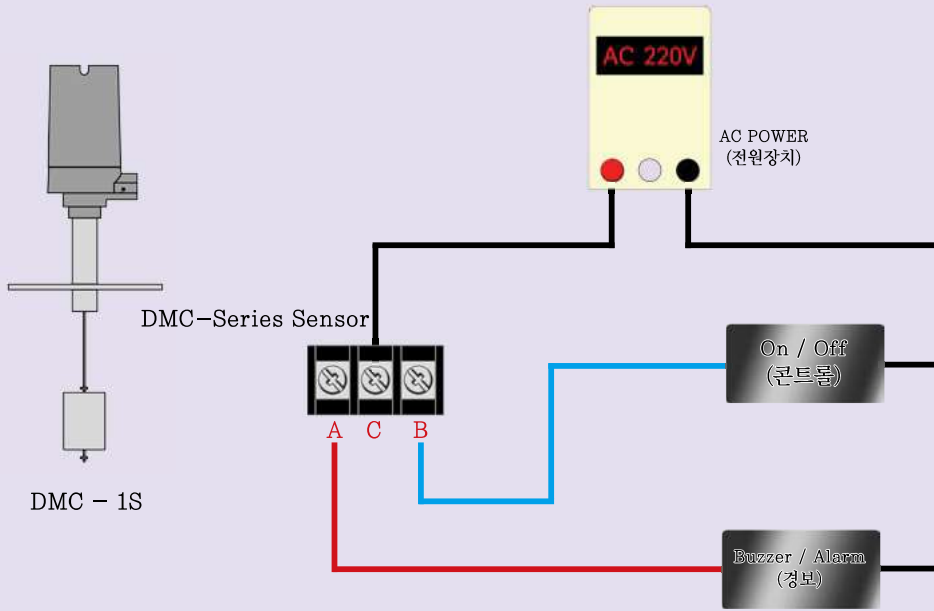
It is determined that contact output location and direction when it is manufactured.

If you need to change, please contact us.

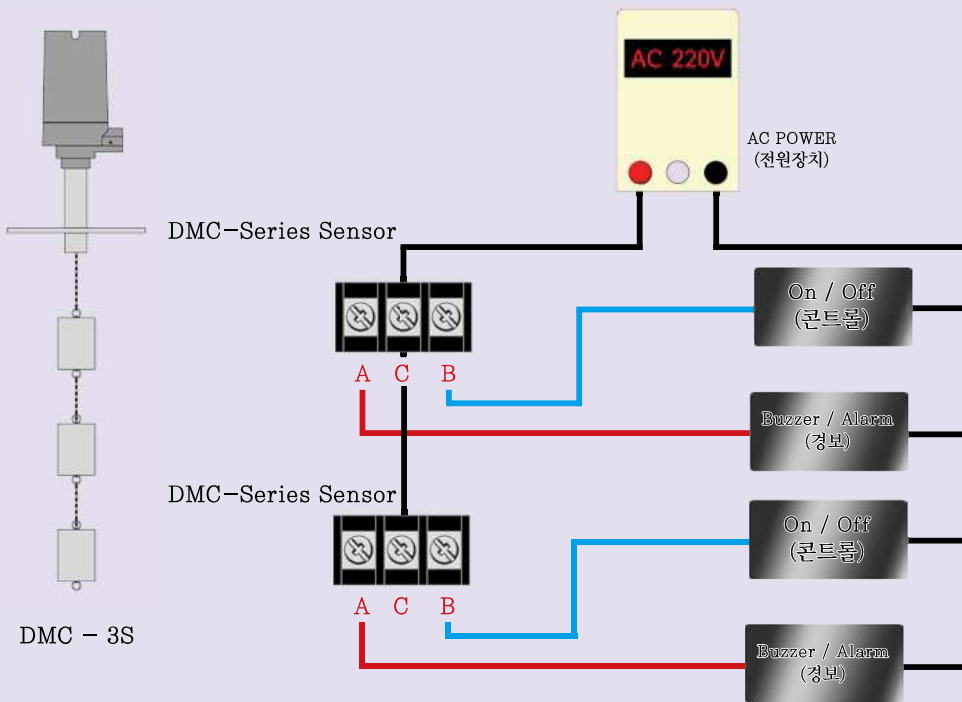
There is no way for you to alter setting.

Wiring Connection

Wiring to a Sequential Control



Wiring to a Sequential Control



Check & A/S

The input voltage is normal?

: Check if the input of AC 220V/110V, is normally supplying.

The wiring is correct?

: Check the connect the wire short-circuit and / or poor contact.

The state of sensor is normal?

: Check if water or liquid exists inside of the sensor.

Head Office

94-2, Yongdap-dong, Seongdong-gu, Seoul, Korea

R&D Office

2-71, Jeonong-dong, Dongdaemun-gu, Seoul, Korea

Tel : 02-2213-9888(代) Fax : 02-2245-3482

e.mail : master@dh34.com Domain : www.dh34.com