

DAEHAN SENSOR



Float Type Level Transmitter
with level sensor

DT – Series

Transmitter with analog output

Product Name

DT – 200



ISO 9001 인증업체

1993 DAEHAN SENSOR CO., LTD.
All rights reserved

Table of Contents

1. Introduction	3
2. Features	3
3. Specification	3
4. Installation	4
5. Calibration & Setting	4
6. Wiring Connection	5
7. Check Point Before A/S	6

SPECIFICATIONS

Media : Only Liquid

Wiring : 2-wire type (input/output)

Range : Minimum – 500mm (19.68 inch)
Maximum – 6000mm (236.22 inch)

Impedence : 450Ω (When using DC 24V)

Input Voltage : DC 24V

Output Signal : DC 4~20mA

Temperature : $-10^{\circ}\text{C} \sim 80^{\circ}\text{C}$
(Option – $-10^{\circ}\text{C} \sim 120^{\circ}\text{C}$)

Pressure : $7\text{Kgf}/\text{cm}^2$

Material : Head Housing – Nylon

Stem – SUS304

(Option – SUS316)

Socket & Flange – SUS304

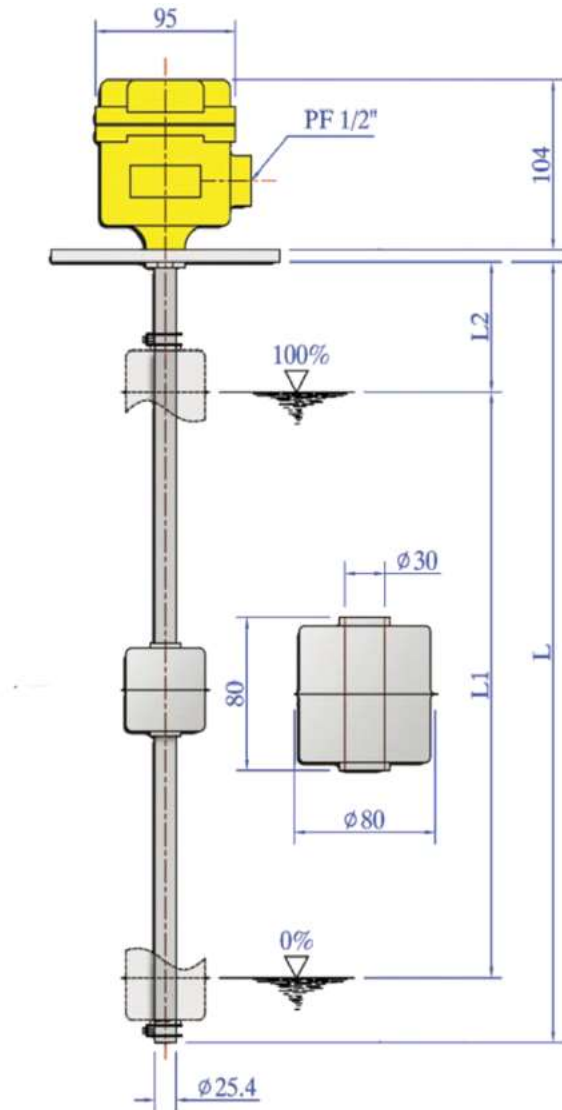
(Option – SUS316)

Float – SUS304

(Option – SUS316)

Stopper – SUS304

(Option – SUS316)



Introduction

Providing electric voltage of DC24V to the sensor, it makes output of 4~20mA current which is converted by resistors in the sensor.

The continuous fluctuation of the current is caused by the up-and-down movement of the float which has permanent magnet in it. Finally, the current output is transmitted to the controller.

Features

This sensor is for indicating liquid level and alarming to control.

It is easy to install so that generally used. It is able to use in chemical, industrial waste water,

food/beverage tank, fuel tank, and etc.

◎ Cautions ◎

Check the suitability between sensor specification and where to install.
Should not adjust the setting of the converter inside sensor.
Suggest to use a protection pipe when suspended solid exist in the tank.
Should not use for a liquid adhesive.
Should not alter the location of sensor's Stopper.
Be cautions not to bend sensor.
Do not impact on Sensor.

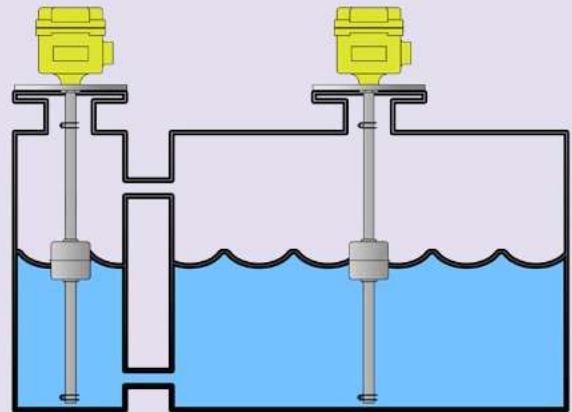
Installation

As shown in the picture, it is installed and using.

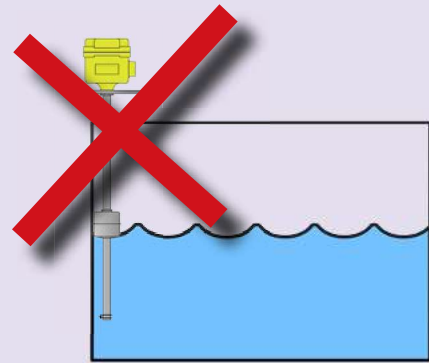
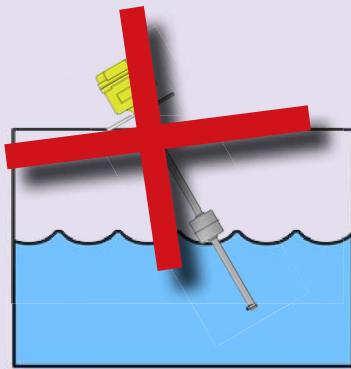
Check if the flanges specification match between Tank and product.

Insert a float and stem into the tank and make sure that it is installed vertically right.

Connect wiring between sensor contact terminals and controller.



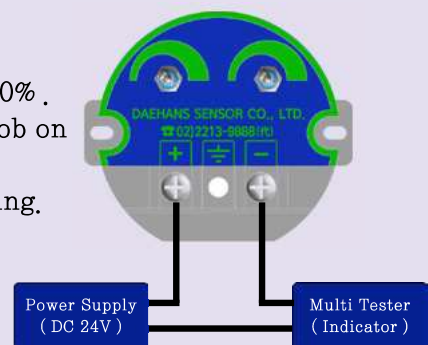
◎ Installation Caution ◎



Install the sensor so that it is perpendicular.
Float of the sensor does not touch the wall of the tank.

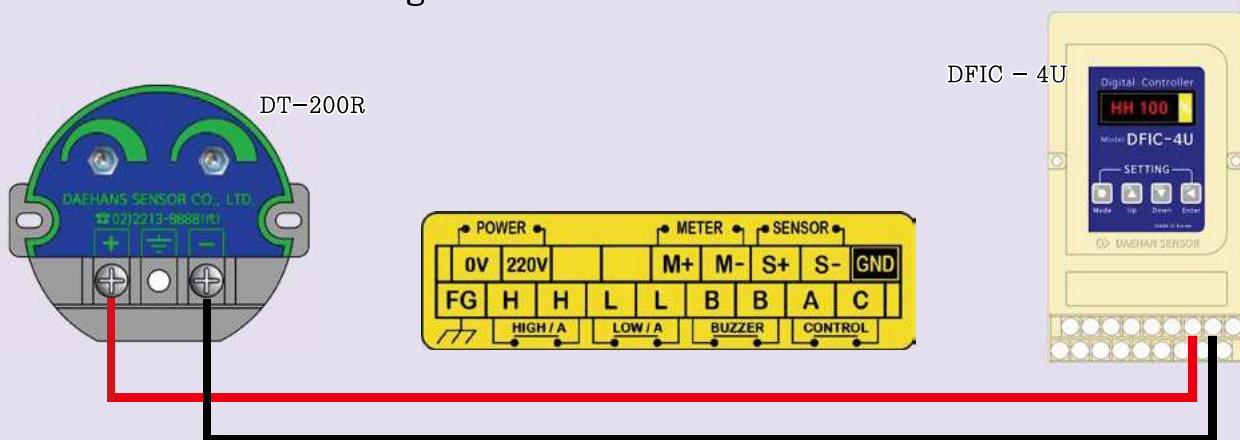
Calibration

1. When you provide DC 24V to the DT-200 and put the float to the bottom poing, the indicator connected with the sensor show 0% .
2. If the value is out of the range of 0%, turn the ZERO volume knob on the converter to set as 0 point exactly.
3. After finishing ZERO adjustment, put the float up to the top poing. Then, the indicator show 100% .
4. If the valus is out of the range of 100%, turn the SPAN volume knob on the converter to set as 100 point exactly.
5. Repeat step 1 ~ step 4 until if is exactly set, then install the sensor in the tank. When the entrance of the chamber is clogged with any stuff like sediment as shown in the picture, the level transmitter can not operate normally as well as the liquid level indicator. Be cautious not to get clogged in the chamber entrance.

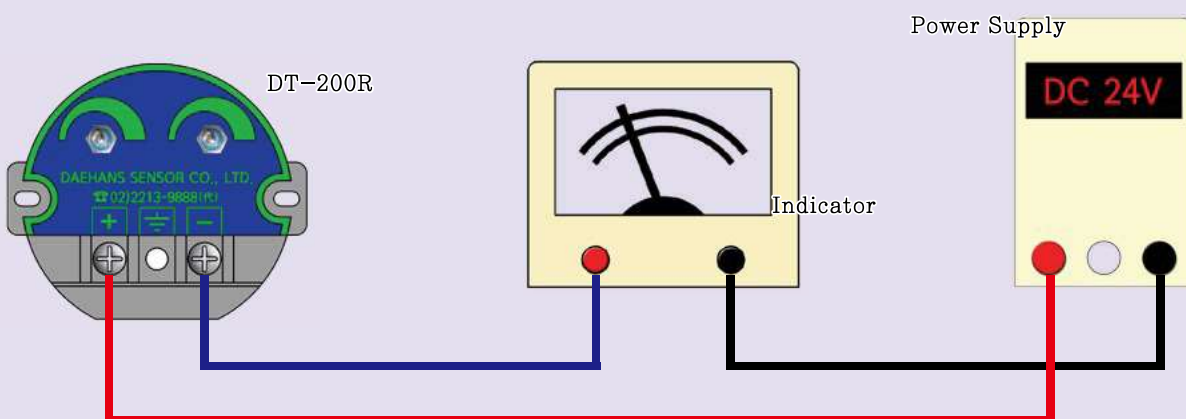


Wiring Connection

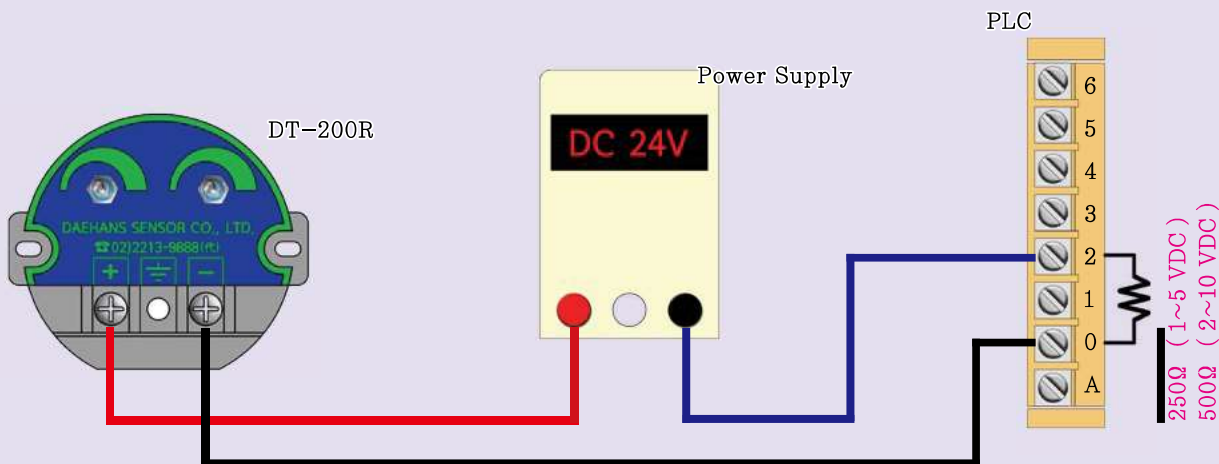
Wiring to a Daehansensor Controller



Wiring to a two-wire loop indicator



Wiring to a two-wire loop indicator



Check & A/S

The Current output is normal?

: Make it sure that output, 4~20mA, is normally coming out.

The wiring is correct?

: Check the connect the wire short-circuit and / or poor contact.

The state of sensor, inside, is normal?

: Problem is caused by exterior structures?

Check if water or liquid exists inside of the sensor.

Head Office

94-2, Yongdap-dong, Seongdong-gu, Seoul, Korea

R&D Office

2-71, Jeonong-dong, Dongdaemun-gu, Seoul, Korea

Tel : 02-2213-9888(代) Fax : 02-2245-3482

e.mail : master@dh34.com Domain : www.dh34.com