

DAEHAN SENSOR



Electrode Type Level Sensor
with level switch

DE – Series

Level Switch with contact output

Product Name

DE – 5S



INNOBIZ



ISO 9001 인증업체

1993 DAEHAN SENSOR CO., LTD.
All rights reserved

Table of Contents

1. Introduction	3
2. Features	3
3. Specification	3
4. Installation	4
5. Calibration & Setting	4
6. Wiring Connection	5
7. Check Point Before A/S	6

SPECIFICATIONS

Media : Only Liquid

Wiring : 2~5 wire type (input/output)

Range : Standard - 2000mm (78.74 inch)

Output Signal : 4 Point (N/O, N/C)

Temperature : A, M, B

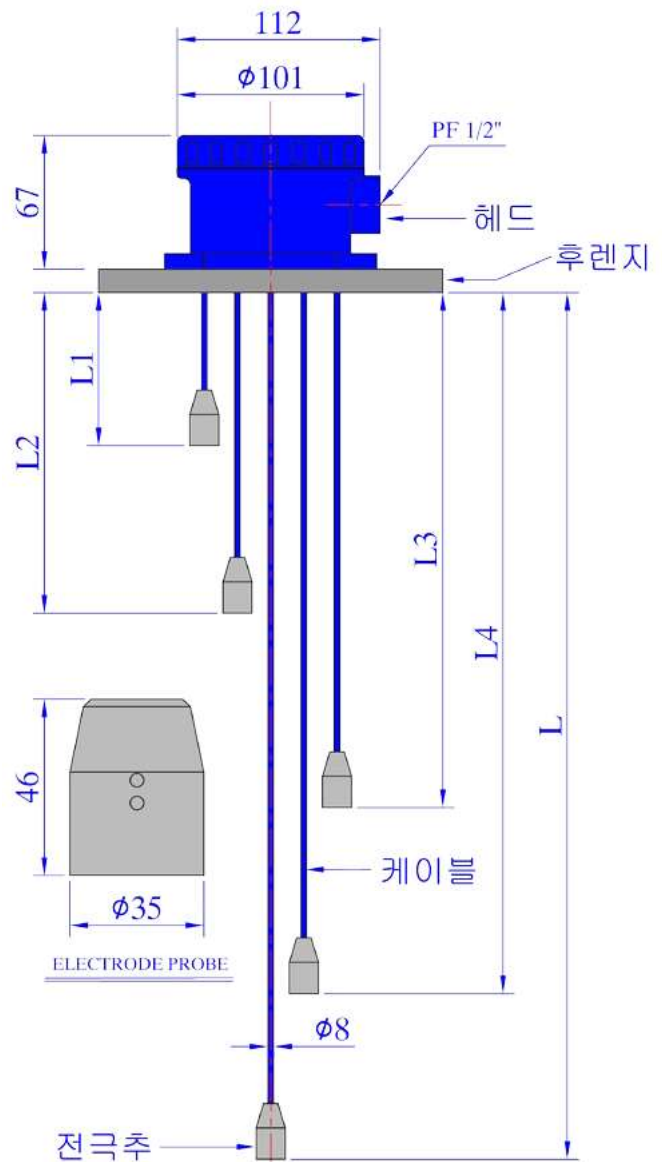
Pressure : A, T, M

Material : Head Housing - A, B, S

Flange - A, B, S
(Option - Socket)

Cable - P, V, C

Electrode Weight - Brass + N, I



Introduction

The power supplied to the unit is connected to the electrode sensor. When the liquid level reaches to or releases from the sensor, it triggers the relay in the control unit.

The on/off signal from the sensor controls supply/drain motor and/or high/low alarm. It is able to make up to 3 motors working together.

Features

It is easy to install and is generally used For controlling motors and alarming to control.

It is widely used to waste water tank & sewage disposal tank.

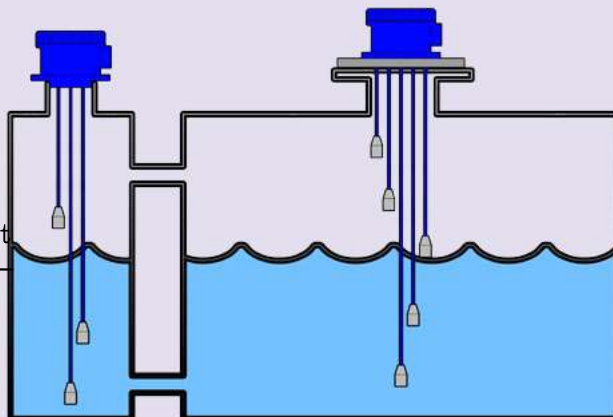
It is suitable for high viscosity liquid. It is strong against corrosion.

Installation

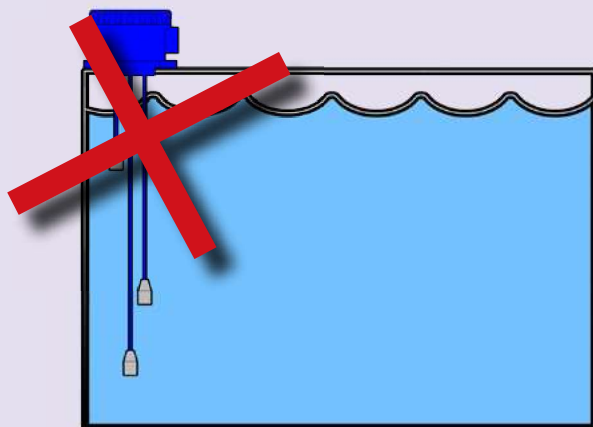
As shown in the picture, it is installed and using.

Check if the flanges specification match between tank and product.

Insert a float and weight into the tank and connect wiring between sensor COM terminal and controller.



© Installation Caution©



Install the sensor so that it is perpendicular.

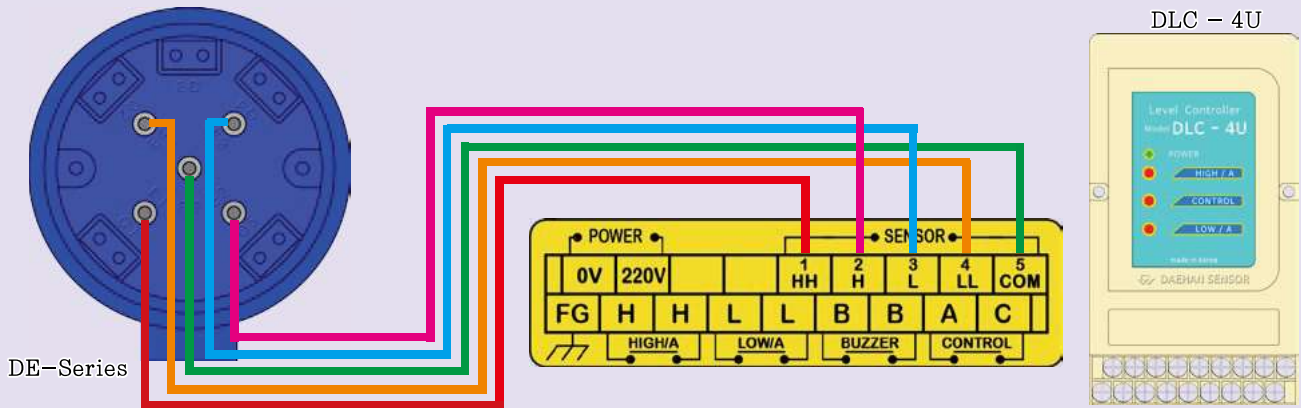
Calibration

DE Series' contact output position is determined by users' setting.

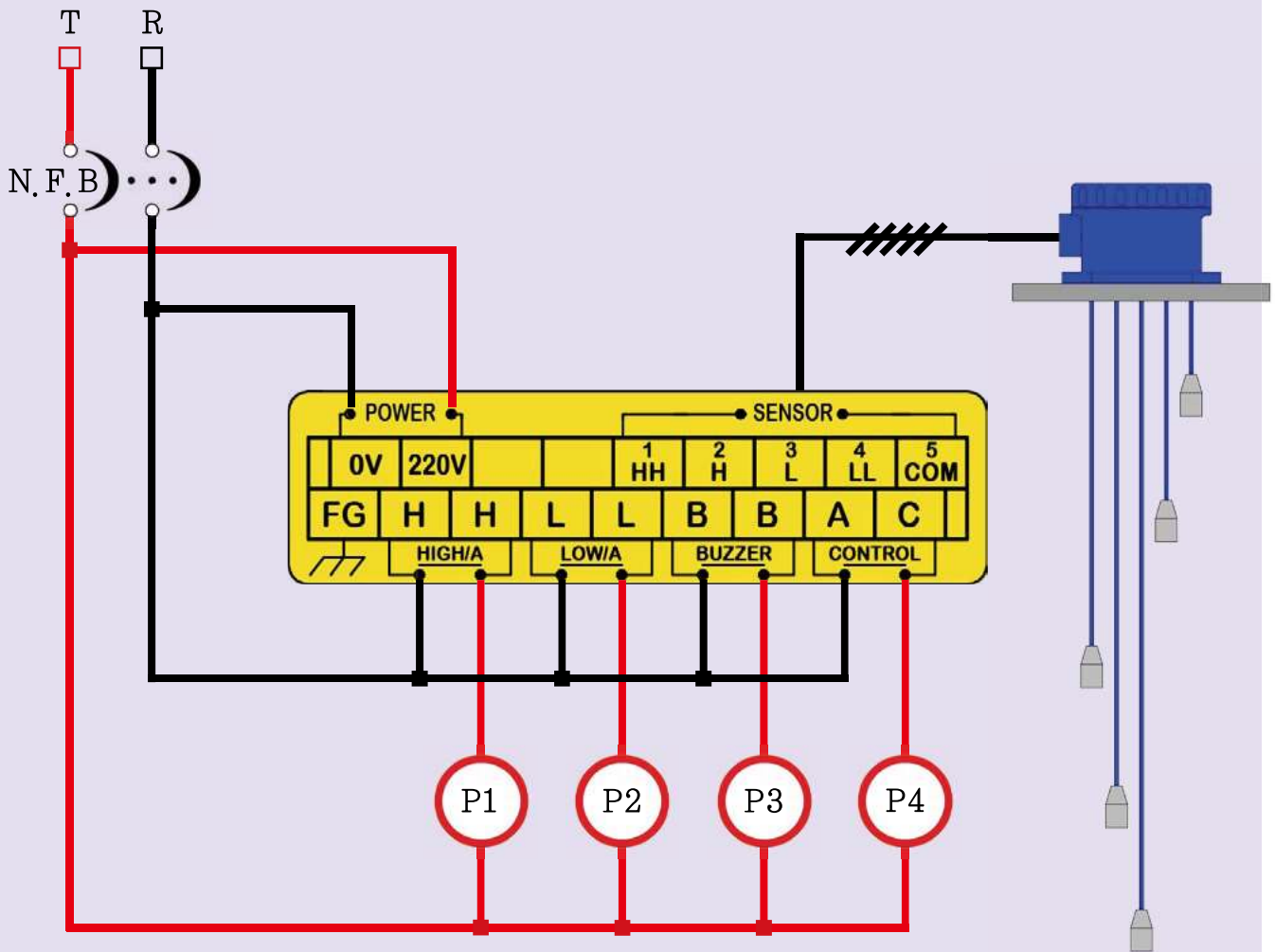
The position of contact output can be determined by cutting the length of Rod as desired.

Wiring Connection

Wiring to a Daehansensor Controller



Wiring to a General Operation Control



Check & A/S

The wiring is correct?

: Check the connect the wire short-circuit and / or poor contact.

Check if wiring between controller and electrodes is correct in orders.

The state of sensor is normal?

: Check if water or liquid exists inside of the sensor.

Check if electrodes are clean.

Check if electrodes touches each other.

Head Office

94-2, Yongdap-dong, Seongdong-gu, Seoul, Korea

R&D Office

2-71, Jeonong-dong, Dongdaemun-gu, Seoul, Korea

Tel : 02-2213-9888(代) Fax : 02-2245-3482

e.mail : master@dh34.com Domain : www.dh34.com