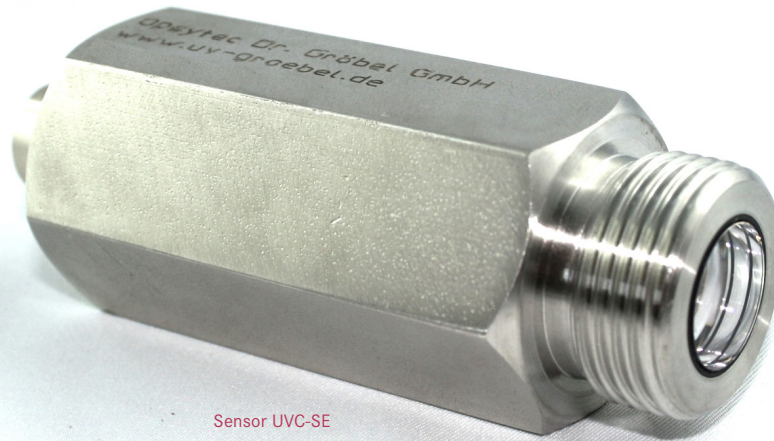


Water pressure proof UV sensor UVX-SE



Sensor UVC-SE

The water pressure-proof UVC-SE sensors serve as robust, long-term stable measuring heads for the precise measurement of UV-C irradiances of UV-C irradiances of low-pressure mercury lamps and amalgam lamps in water disinfection and wastewater systems. The sensor can be exposed to pressure of up to 10 bar.

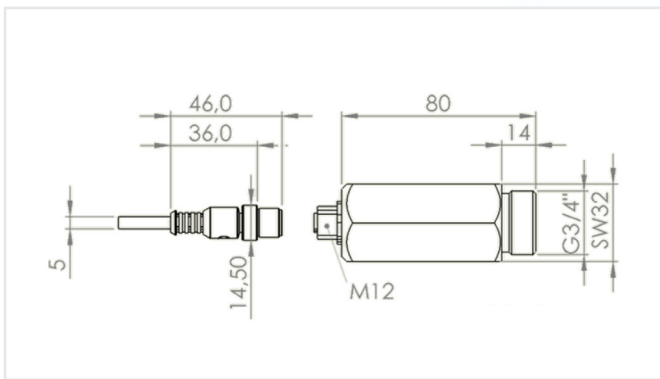
A long-term, stable high-sensitivity photo diode with a large active area of 1 cm² is used. This provides low noise and improved sensitivity, below 260 nm, compared to SIC sensors. Superior corrosion resistance and long-term stability is also achieved through the use of appropriate materials. No aging is determined over a period of one year. The sensors are calibrated with traceability to the PTB, the German national test authority.

The integrated electronics produce a signal voltage that is transmitted to the PLC or panel meter RM-32, so that inferences are minimized. Operating voltage and output signal can be selected to match the measurement task or PLC interfaces. For small control tasks, the sensor can be connected to RM-32, which shows the current irradiance on a 3.5-digit digital display and switches two relay contacts with adjustable warning and alarm signals.

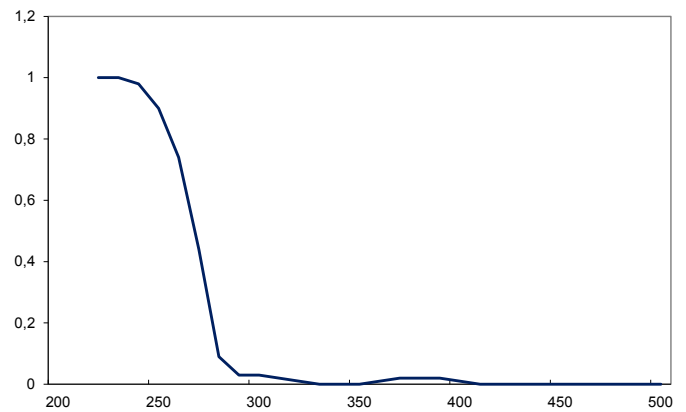
TECHNICAL DATA

Measuring range	0 - 1000 W/m ² other ranges on request
Spectral range:	180 - 280 nm
Selectivity	above 280 nm better than 4% for low-pressure HG lamps
Remaining sensitivity	around 650 nm
Dimensions	see drawing
Housing material	Stainless steel
Weight	~420 g
Water pressure	up to 10 bar
Connector	G 3/4"
Operating voltage	+24 V, +12 V or ±5 V
Operating current	<15 mA
Output	0 - 10 V, 4 - 20 mA or 0 - 1 V
Operating temperature	0 to 40 °C
Storage temperature	-10 to 40 °C
Humidity	< 80%, non-condensing
Cable	2 m - 10 m
Sensor connector	M12 (5-pole)

TECHNICAL DATA

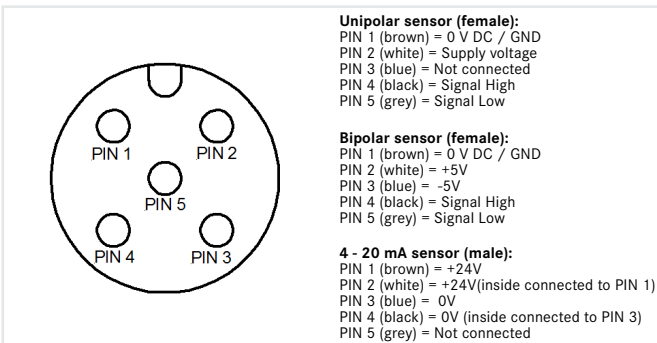


Dimensions UVC-SE



Spectral sensitivity (typical)

CONNECTOR ASSIGNMENT



PART NUMBERS

UVC-SE ±5V _{DC} 0 - 1 V	810351
UVC-SE +24V _{DC} 0 - 10 V	810352
UVC-SE +24V _{DC} 4 - 20 mA	810356
UVC-SE +12V _{DC}	810353
Cable, 2 m	920310
Cable, each add. meter	920311
RM-32	670010

For irradiance measurements of medium-pressure lamps we recommend our UVxSE sensors.

UV PANEL METER RM-32



Optional UV panel meter: RM-32

SCOPE OF DELIVERY

UVC-SE sensor, protecting cap, manufacturers certificate of calibration

The UVC-S sensor is also suitable for Excimer lamps due to the high sensitivity below 260 nm. For MgF2 version or VIS blind versions please contact us.

