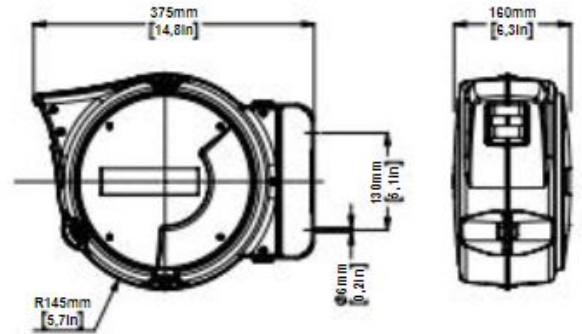




KAWASAKI
TOOLS

NEW

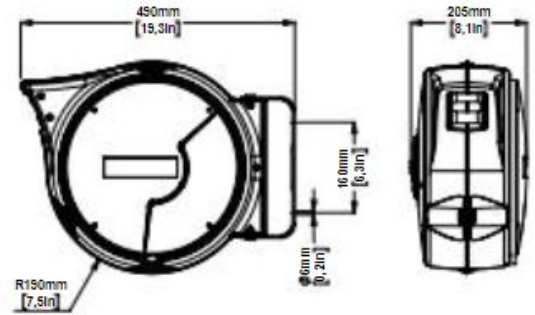


KPT-HR808

Specifications

Model Number	Hose Inner Dia (mm)	Hose Length (m)	Max Pressure (Bar)	End Hose Fitting	Temperature	Fluids	Net Weight (kg)
KPT-HR808	8	10	15	1 / 4" M BSP	- 5 / +40	Air	4

NEW

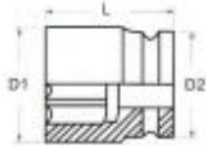


KPT-HR858

Specifications

Model Number	Hose Inner Dia (mm)	Hose Length (m)	Max Pressure (Bar)	End Hose Fitting	Temperature	Fluids	Net Weight (kg)
KPT-HT858	8	16	15	1 / 4" M BSP	- 5 / +40	Air	7.6

NEW



KPT-IS411

10PCS 1/2" Impact Sockets Set

12, 13, 14, 15, 16, 17, 18, 19, 21, 22 mm

NEW



KPT-IS422

21PCS 1/3" Impact Sockets Set

6 Point Long Sockets

(12, 13, 14, 15, 16, 17, 18, 19, 21, 22 mm)

6 Point Short Sockets

(12, 13, 14, 15, 16, 17, 18, 19, 21, 22 mm)

1 / 2"Dr. x 5" Extension Bar

NEW



KPT-IS003

3PCS 1/4" Impact Sockets Set

17, 19, 21 mm
