

FQ-RCT02

Flexible AC coil

The FQ-RCT02 Flexible AC coil are designed for easy installed in tight spaces and without the need for dismantling the primary busbar or cables.

Applications

1. Power quality monitoring
2. Power meters
3. Smart logger
4. Energy sub-meters
5. Distributed measurement systems

Features

1. Flexible and light weights
2. Easy & quick installation in tight spaces
3. No danger from open-circuited secondary
4. No core saturation or damage if overloaded
5. Excellent linearity
6. Multi-size are available



General Data

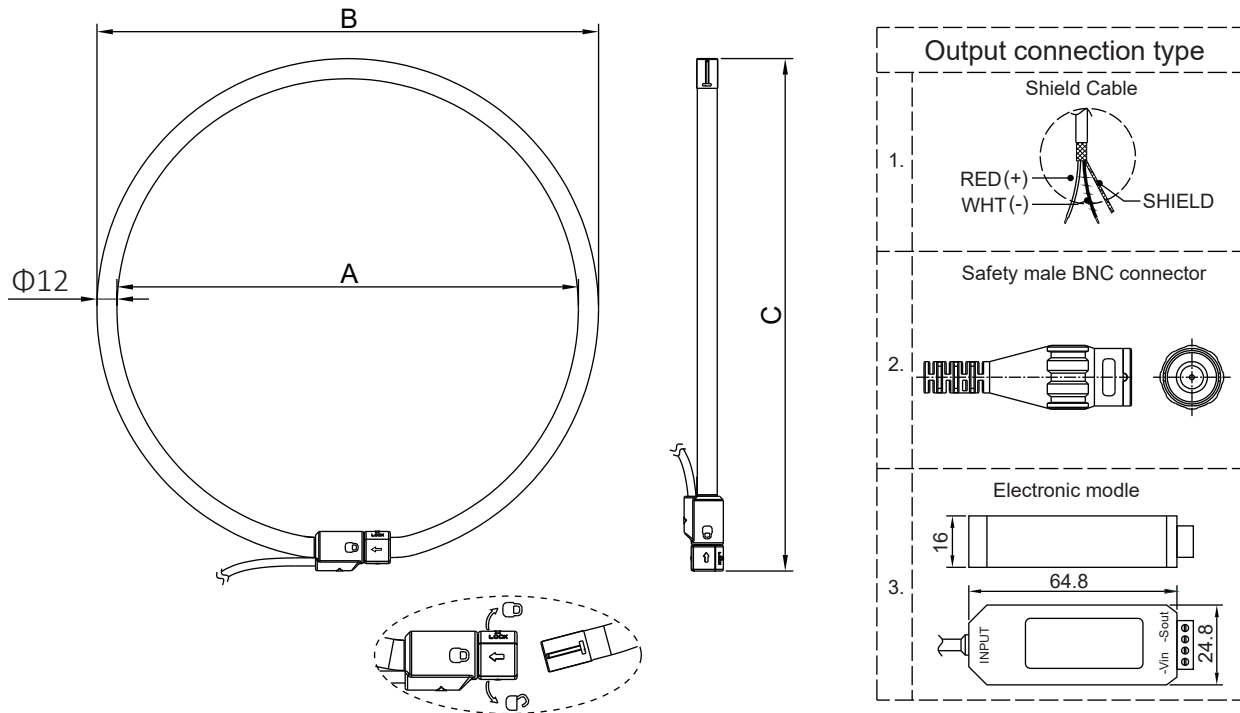
1. Ambient operating temperature: -20°C ~ +70°C
2. Ambient storage temperature: -25°C ~ +75°C
3. Standards Safety: IEC 61010-1:2001, 600 V CAT III

Dimension

Dimensions(mm)	FQ-RCT02-120	FQ-RCT02-190	FQ-RCT02-305
	FQ-RCTA02-120	FQ-RCTA02-190	FQ-RCTA02-305
Window A	120	190	305
Coil OD B	145	205	335
Coil Length C	400	600	1000
Output connection	1. UL2586-ESB 2x24AWG L=150cm (as required)		
	2. Coax terminated with safety male BNC connector L=300cm (as required)		
	3. UL2586-ESB 2x24AWG L=150cm (as required) with integrator		

FQ-RCT02

FLEXIBLE COIL

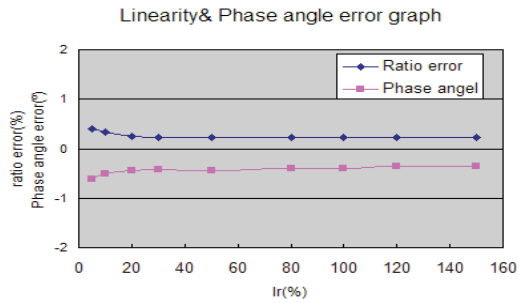


Parameter

Electrical parameters

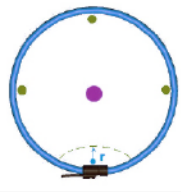
Model	FQ-RCT02-120	FQ-RCT02-190	FQ-RCT02-305	FQ-RCTA02-120	FQ-RCTA02-190	FQ-RCTA02-305	
Current Range	10A~30kA			10A~6000A			
Frequency	25Hz~20kHz			45Hz~600Hz			
Output Voltage	Rated current	1000A	2000A	3000A	1000A, 1500A, 2000A, 3000A	2000A, 3000A, 5000A, 6000A	3000A, 4000A, 5000A, 6000A
	50Hz	100mV AC	200mV AC	300mV AC	333mV 1mV/A@1000-3000A(0.5mV/A@4000-6000A)		
Max output	/			3.0V AC max			
Accuracy	<1% @25°C (45-65Hz)			<1% @25°C (45-65Hz)			
Phase error	<60' @25°C (45-65Hz)			<60' @25°C (45-65Hz)			
Output sensitivity	±2% Max (No Calibration)			1%			
	±0.5% @25°C (With Calibration)						
Linearity error	±0.2% (10%-100%I1n)			±0.2%			
Position Sensitivity	±2%			±2%			
External Influence	±2% Max			±1.5% Max			
Power Supply	/			10-30VDC,30mA Max.			

Linearity & Phase Angle Error Graph



Current range 20~ 2000A @ 25°C

Position Sensitivity

	Bus bar Position		Window A of coil (Φ mm)			Position error
			120	190	305	
Φ (mm)	●		<12.5	<20	<35	<0.5%
Phase Angle (°)	●		90°~270°			<1%
Radius(mm)		r	<12	<16	<20	<2%

Usage Instruction

