



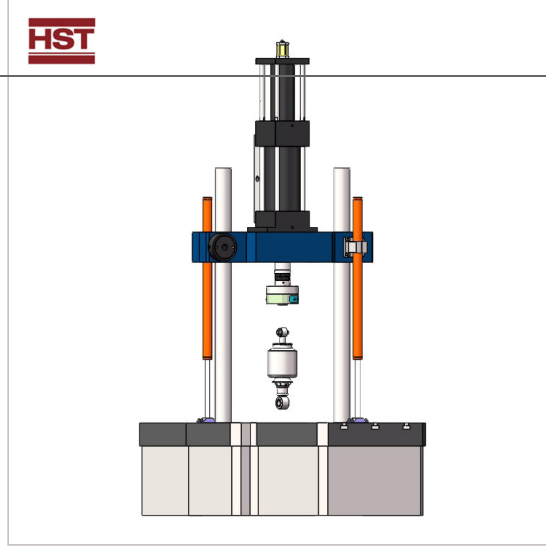
**PRODUCT**

**CATEGORIES**

- [Electronic Universal Testing Mach...](#)
- [Hydraulic Universal Testing Machi...](#)
- [Compression Tester \(<http://www.h...>\)](#)
- [Impact Testing Machine \(<http://w...>\)](#)
- [High And Low Temperature Cha...](#)
- [Specimen Making Machine \(<http://...>\)](#)
- [Torsion Testing Machine \(<http://w...>\)](#)
- [Fatigue Testing Machine \(<http://w...>\)](#)
- [Other testing machine \(<http://www...>\)](#)
- [Bending Testing Machine \(<http://w...>\)](#)
- [Optical cable testing machine \(<htt...>\)](#)
- [Spring Testing Machine \(<http://ww...>\)](#)
- [Metallographic Equipment \(<http://...>\)](#)
- [Hardness Tester \(<http://www.hssd...>\)](#)
- [NDT Series \(<http://www.hssdgrou...>\)](#)

**MESSAGE BOARD**

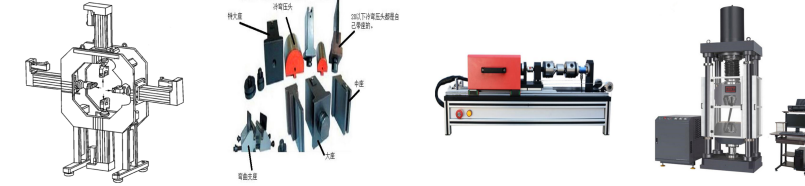
SEND



**PWS-250 long component electro-hydraulic servo fatigue testing machine**

**Product description:**

The machine adopts electro-hydraulic servo automatic control technology, and the length of table is up to 3.6 meters. It is suitable for dynamic and static characteristics test and fatigue life test on various metal components, wood, structural parts and parts.



(<http://www.hssdgroup.com/PRODUCT/hydraulic-universal-testing-machine-1867923476851664/>)

Share With:

We're here to help:  
Easy ways to get the answers you need.

[Send E-mail \(mailto:Louis@hssdtest.com\)](mailto:Louis@hssdtest.com)
[Chat Now \(skype:sales02@hssdtest.com?chat\)](https://www.hssdtest.com/Chat)

[PRODUCT DETAILS](#)   [PRODUCT VIDEO](#)

The machine adopts electro-hydraulic servo automatic control technology, and the length of table is up to 3.6 meters. It is suitable for dynamic and static characteristics test and fatigue life test on various metal components, wood, structural parts and parts.

- 1) Maximum test force: +/-250kN;
- 2) Maximum displacement of the actuator: ±125mm;
- 3) Main test wave forms: sine wave, triangle wave, square wave, half sine wave, semi-triangle wave, semi-square wave, ramp wave, etc.;
- 4) Frequency range: 0.01-35Hz;
- 5) Effective table size: 1000mm × 3600mm;
- 6) Maximum test space: 2000mm;
- 7) Optional accessories (graphic is wood bending test).