



Product details

Digital Blade Micrometer, Blade=0,4mm 0-25mm

Item number: 422-260-30



Description

This Digimatic Blade Micrometer is designed to help you measure hard-to-reach features. It offers the following benefits:

- Blade-shaped anvil and spindle for measuring the groove diameter of shafts, keyways and other hard-to reach features
- Non-rotating spindle

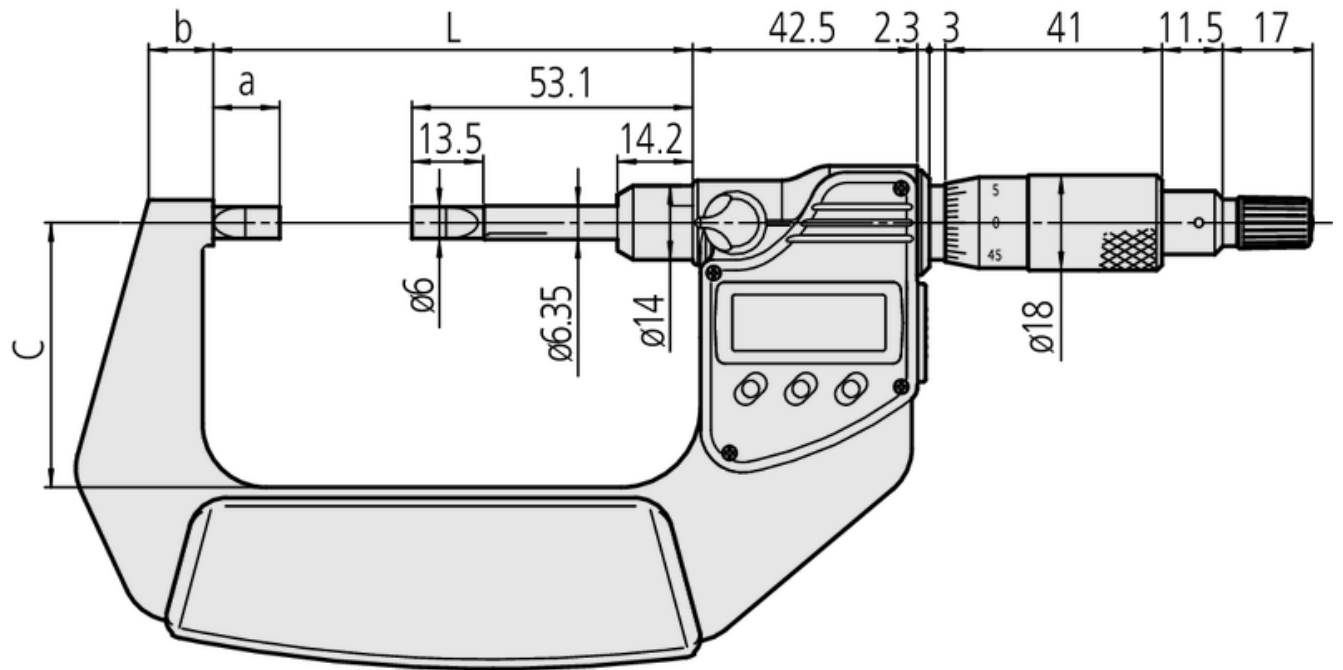
Features

Accuracy:	Refer to the list of specifications (excluding quantizing error)
Maximum Permissible Error J MPE:	$\pm 3 \mu\text{m}$
Parallelism:	$3 \mu\text{m}$ for models up to 75 mm $4 \mu\text{m}$ for models over 75 mm
Measuring force:	3 - 8 N
Anvil / Spindle:	Type B, spherical anvil and spindle SR=4 mm
Scale:	Thimble and sleeve satin chrome finish, $\varnothing 18 \text{ mm}$
Battery life:	Approx. 2,4 years
Battery life:	Approx. 2,4 years
Delivered:	Including box, setting standard (from 25 mm upward), key, 1 battery
ORIGIN:	Yes
ZERO/ABS:	Yes
Auto Power OFF after 20 min. non use:	Yes
Low voltage alarm:	Yes
Function lock:	Yes
HOLD:	Yes

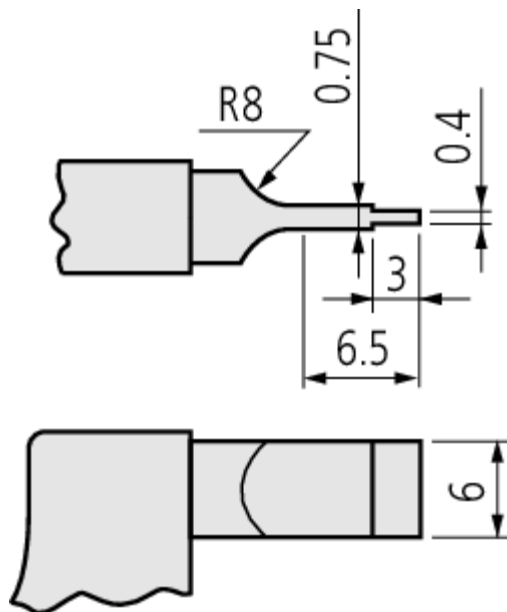
Digital/Analog:
 Inch-Metric:
 Parallelism:
 Measuring spindle:

Digital
 Metric
 3 μ m
 With spindle lock, $\phi 6,35$ mm, non-rotating, spindle pitch 0,5 mm

Dimensions



L: 65.6 mm
 a: 12.5 mm
 b: 11 mm
 c: 31 mm



L: 65.6 mm
 a: 12.5 mm
 b: 11 mm

c: 31 mm

Optional accessories:



**Digimatic Cable with Data Button IP Type
1m, Micrometer Type
05CZA662**

Suggested retail price: 91.00 €*



**Digimatic Cable with Data Button IP Type
2m, Micrometer Type
05CZA663**

Suggested retail price: 92.00 €*
