

Bimetal Thermometer (Tilting Type)



Model

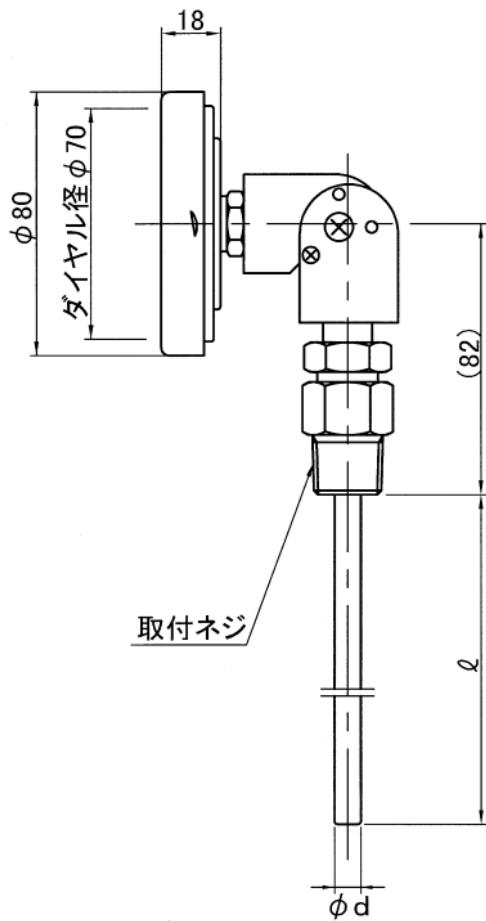
BM-F-90S, BM-F-70S

Tilting type bimetal thermometer whose case angle is adjustable.
Model :BM-F-90S, BM-F 70S

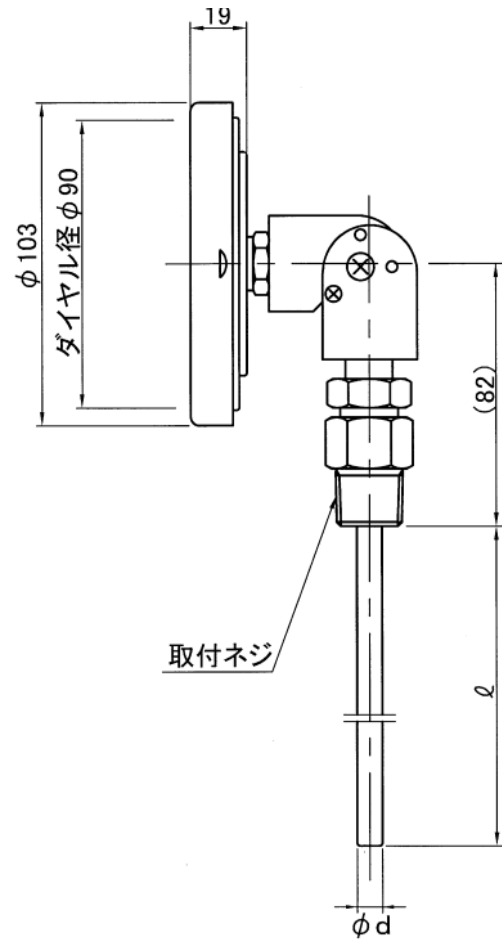
Specifications

Model BM-F-70S Catalog No. 2700-B	
Case dia.	80mm
Dial Dia.	70mm
Waterproof properties	Compliant to JIS C 0920 IPX1
Materials(Case)	SUS304
Materials(Cover)	SUS304
Materials(Window)	Glass(Acryl is an option)
Materials(Sensing stem)	SUS304
Sensing stem dia.	6,8,10,12mm
Screw	Please specify
Withstand pressure	5kgf/cm ²

Model BM-F-90S Catalog No. 2710-B	
Case dia.	103mm
Dial Dia.	90mm
Waterproof properties	Compliant to JIS C 0920 IPX1
Materials(Case)	SUS304
Materials(Cover)	SUS304
Materials(Window)	Glass(Acryl is an option)
Materials(Sensing stem)	SUS304
Sensing stem dia.	6,8,10,12mm
Screw	Please specify
Withstand pressure	5kgf/cm ²



BM-F-70S



BM-F-90S

Ordering form

Example	<u>BM-F-</u>	-	<u>2710-</u>	-	<u>100</u>	-	<u>SW S12B300 SUS304</u>	-	<u>PT1/2 SUS304</u>
	<u>90S</u>		<u>B</u>						
	Model		Cat. No.		Mearsuring range		Sensing stem(Type, dia., materials)		Screw(Type, Materials)