

Waterproof Remote Sensing Dial Thermometer Model LBW-100S/LDW-100S (For ordering)



Model

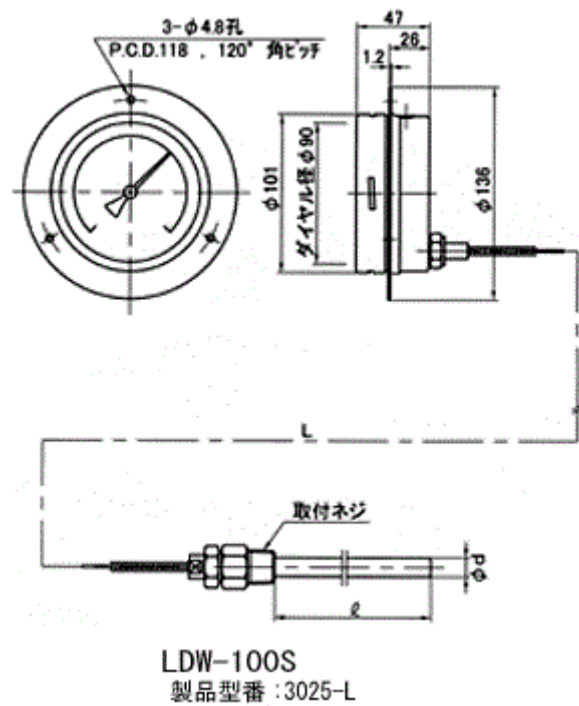
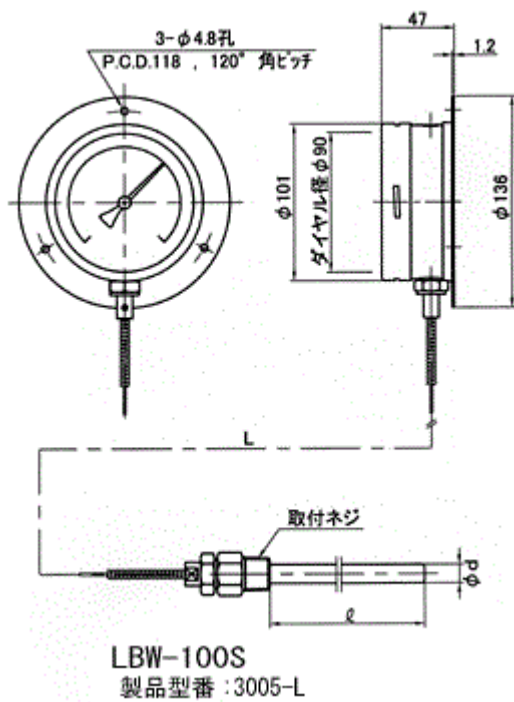
LBW-100S/LDW-100S

Waterproof (IPX4) remote sensing dial thermometer. We can produce these models of the specifications to order.

Specifications

LBW-100S Cat. No. 3005-L (Solid liquied)	
Case dia.	101mm
Dial dia.	90mm
Waterproof property	JIS C 0920 IPX4
Material (Case)	SUS304
Finishing (Case)	Electropolishing
Materials (Window)	Glass (or Acryl)
(Sensing stem)	SUS304
(Lead wire)	SUS304
Mounting pitch	P.C.D.118
Mounting holes	3 x 4.8mm dia.

LDW-100S Cat. No. 3025-L (Solid liquid)	
Case dia.	101mm
Dial dia.	90mm
Waterproof property	JIS C 0920 IPX4
Material (Case)	SUS304
Finishing (Case)	Electropolishing
Materials (Window)	Glass (or Acryl)
(Sensing stem)	SUS304
(Lead wire)	SUS304
Mounting pitch	P.C.D.118
Mounting holes	3 x 4.8mm dia.



Format for ordering

Ex. LBW- - 3005-L - 200 - FS3 - SW S12B300 SUS304 - PT3/4 SUS304

Model	Cat. No.	Range	Lead wire	Sensing stem (dia. Length)	Screw (Type, Material)
LBW-100S	3005-L	200	FS3	SW S12B300 SUS304	PT3/4 SUS304